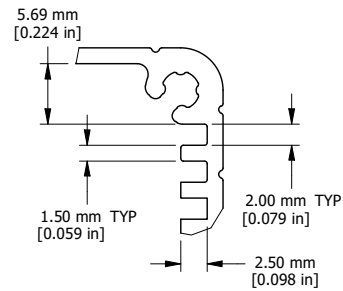
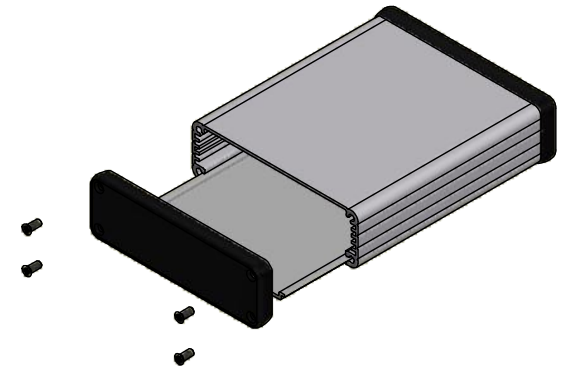


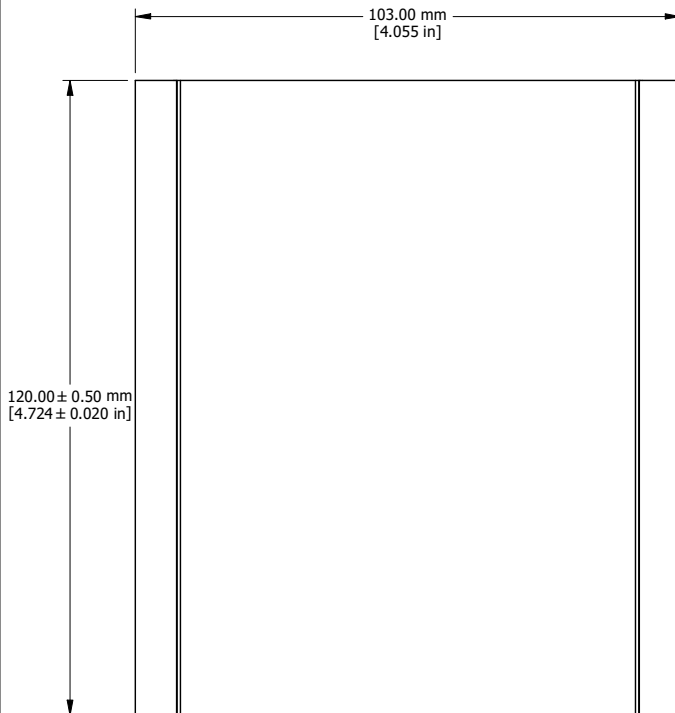
EXTRUSION



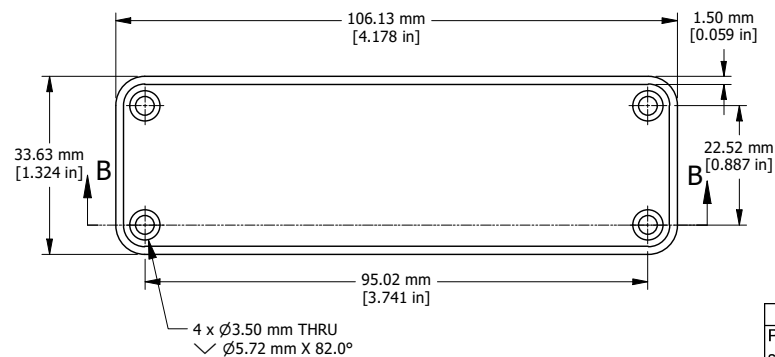
DETAIL A



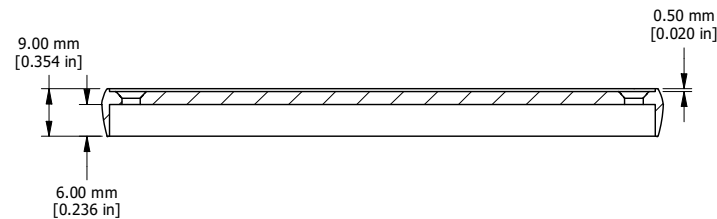
EXPLODED ASSEMBLY VIEW



EXTRUSION DESIGNED FOR 100MM WIDE PC BOARD



CLOSED BEZEL



Enclosures can be Factory Modified ( Milling, Drilling, Printing etc. )  
 Solid models of this enclosure available in STEP or IGES.  
 Contact Factory [mjm@hammondmfg.com](mailto:mjm@hammondmfg.com)

NOTE	
Purchased assembly includes box, plastic bezels, #6 Taptight screws and self adhesive rubber feet.	
Box made from Extruded Aluminum 6063.	
Bezels made with ABS.	
1455L1202	
PART NUMBERS	
Clear Anodized	1455L1202
Black Anodized	1455L1202BK
ACCESSORIES	
See website for accessories.	

**HAMMOND  
MANUFACTURING™**

**1455L1202**

[www.hammondmfg.com](http://www.hammondmfg.com)