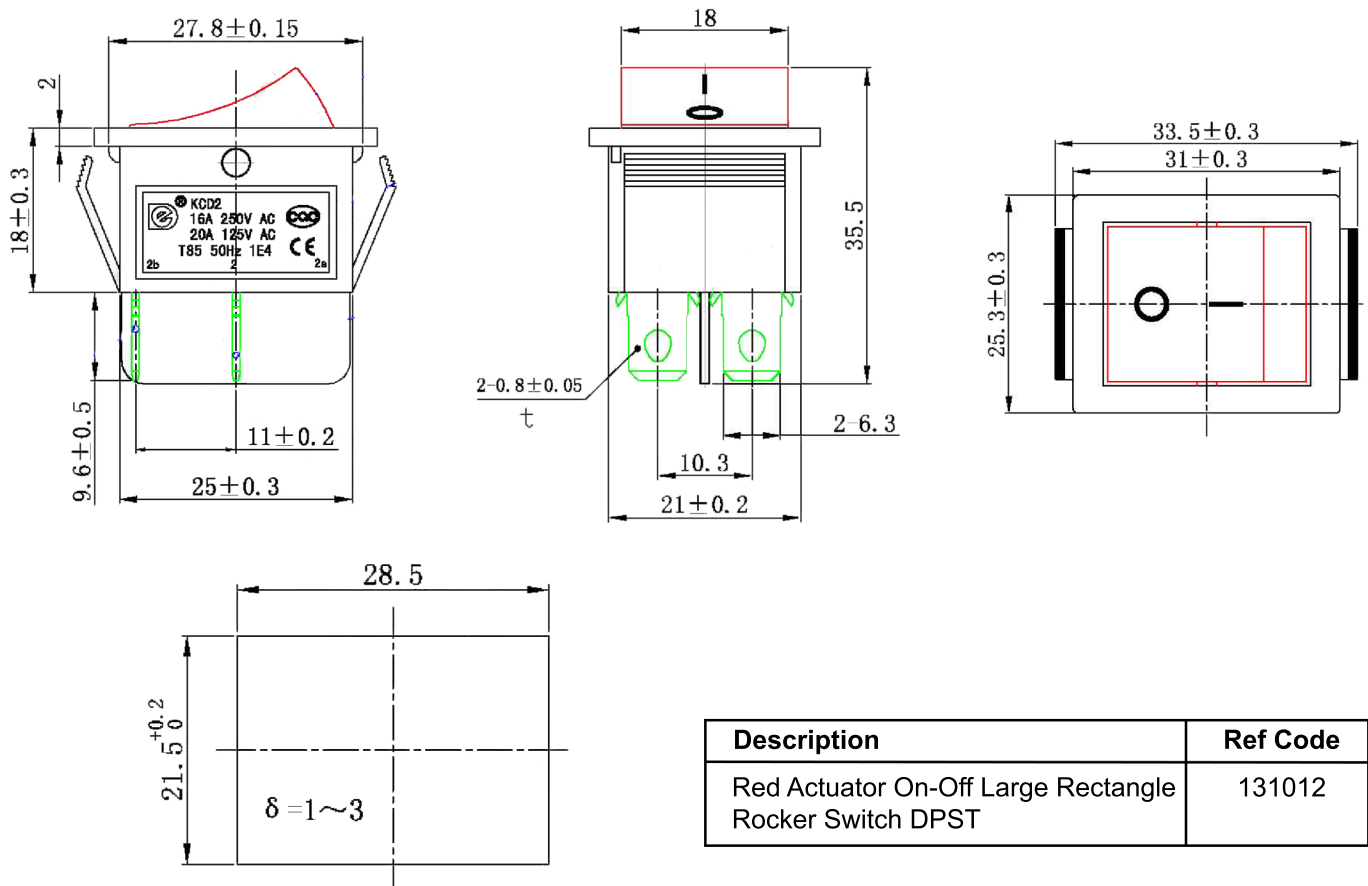


Specifications

| | |
|------------------------|------------------------|
| Rating: | 16A 250VAC, 20A 125VAC |
| Contact Resistance: | 35mΩ Max |
| Insulation Resistance: | 100MΩ Min |
| Dielectric Strength: | 1500VAC 1 minute |
| Temperature Rating: | -25°C to 85°C |
| Electrical Life: | 10,000+ Cycles |



| Description | Ref Code |
|---|----------|
| Red Actuator On-Off Large Rectangle Rocker Switch DPST | 131012 |