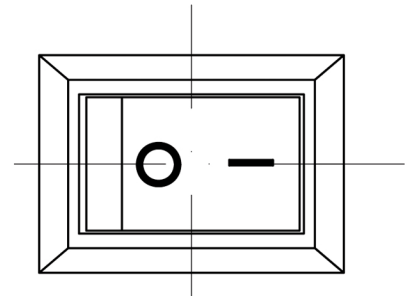
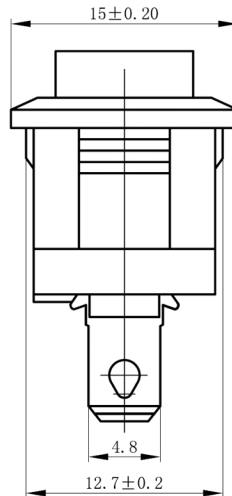
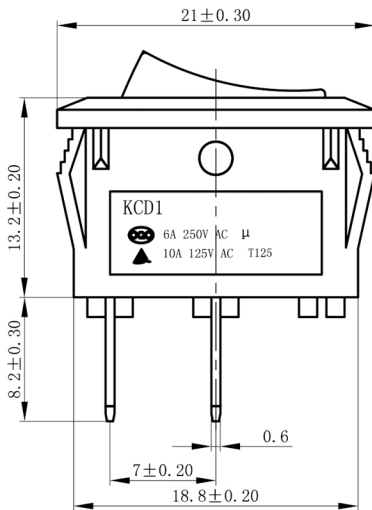
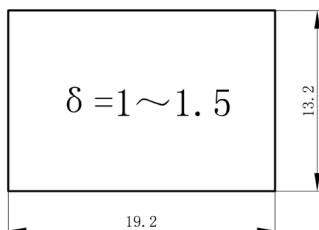


Specifications

Rating :	6A 250VAC, 10A 125VAC
Contact Resistance:	50mΩ Max
Insulation Resistance:	100MΩ Min
Dielectric Strength:	1500VAC 1 minute
Temperature Rating:	-25°C to 85°C
Electrical Life:	10,000+ Cycles



PANEL CUT-OUT



Description	Ref Code
Rectangle On-Off Black Rocker Switch SPST	130001