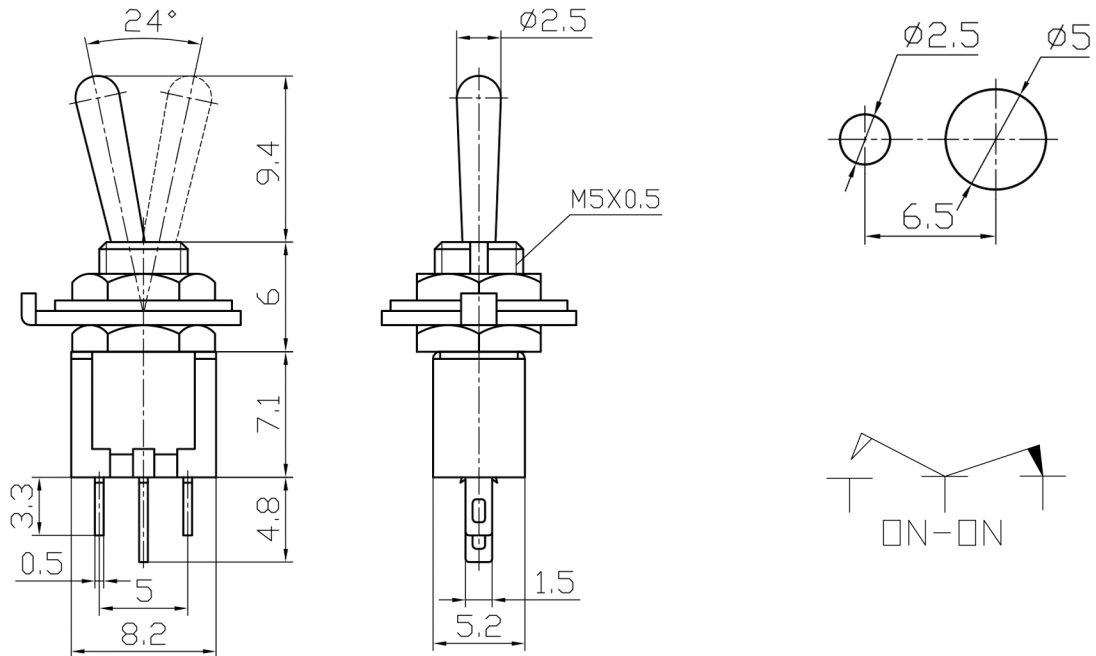


## Specifications

Rating:	1.5A 250VAC, 3A 125VAC
Contact Resistance:	20mΩ Max
Insulation Resistance:	1000MΩ Min
Dielectric Strength:	1000VAC 1 minute
Operating Temperature:	-25°C to +85°C
Electrical Life:	10,000+ Cycles



Description	Ref Code
Subminiature On-Off-On Toggle Switch 1.5A	122025