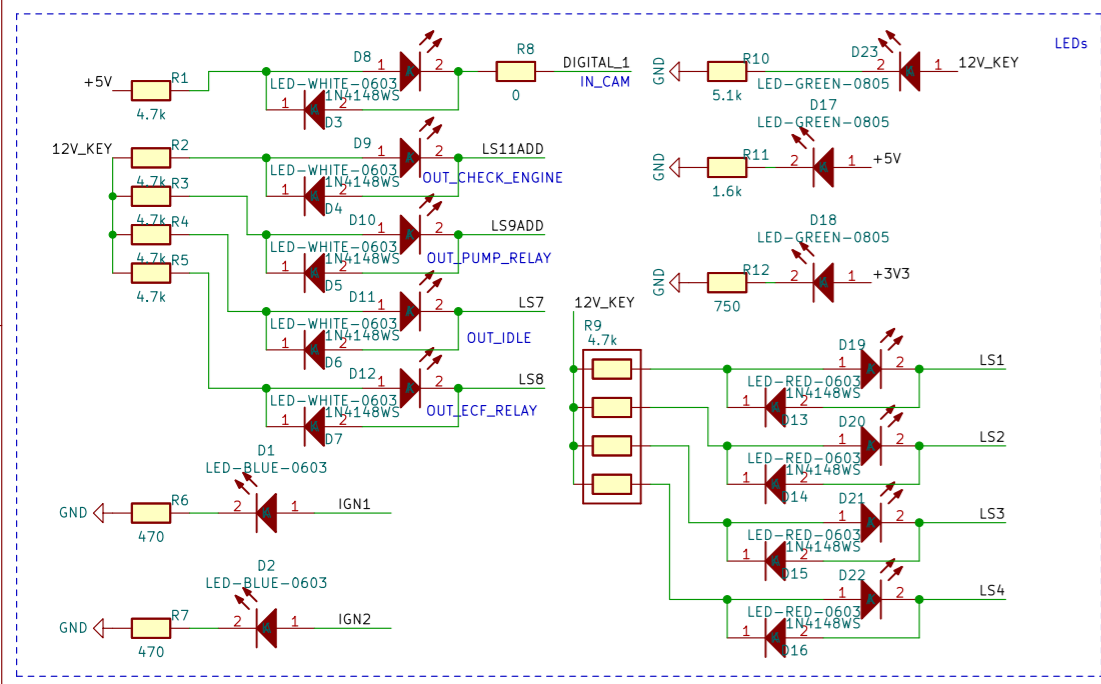
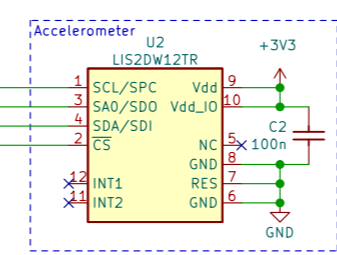
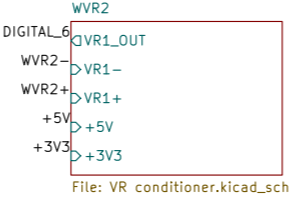
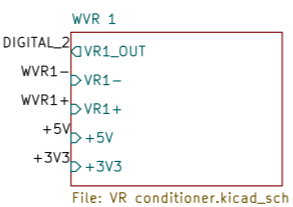
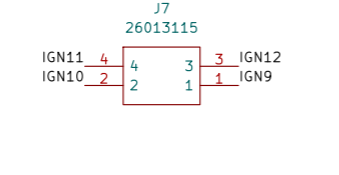
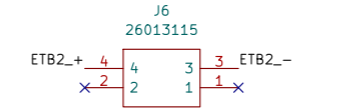
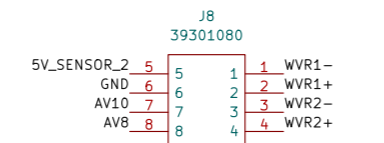
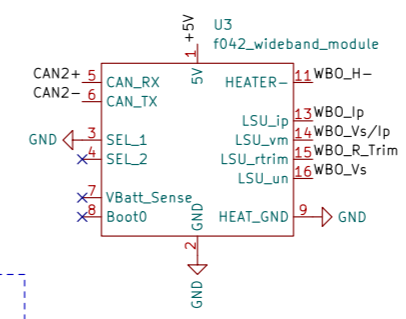
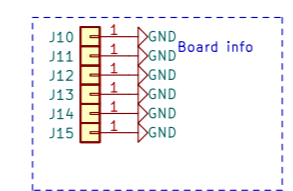
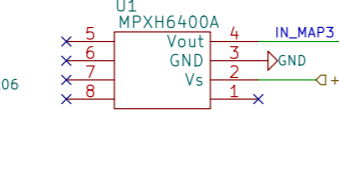
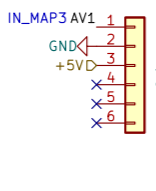
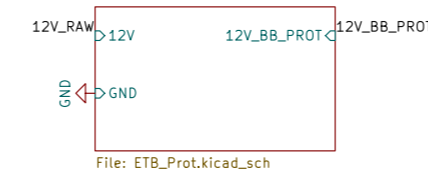
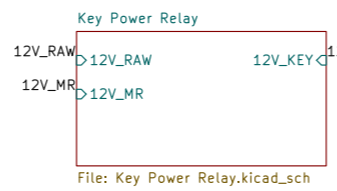
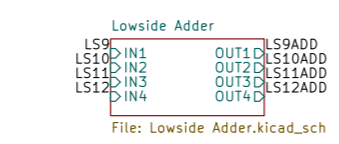
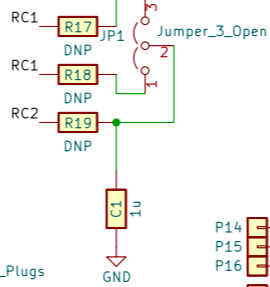
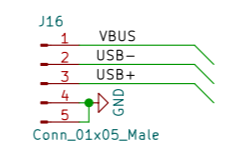
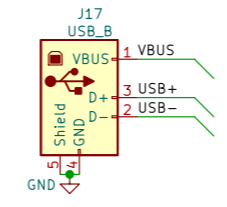
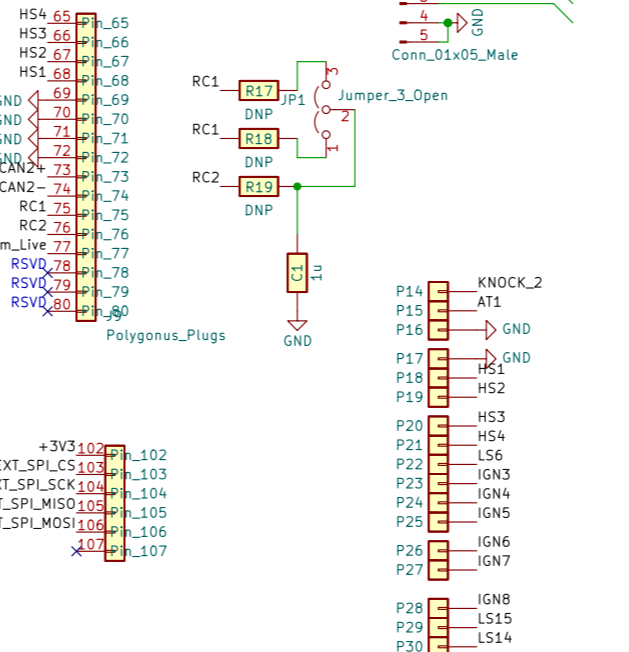
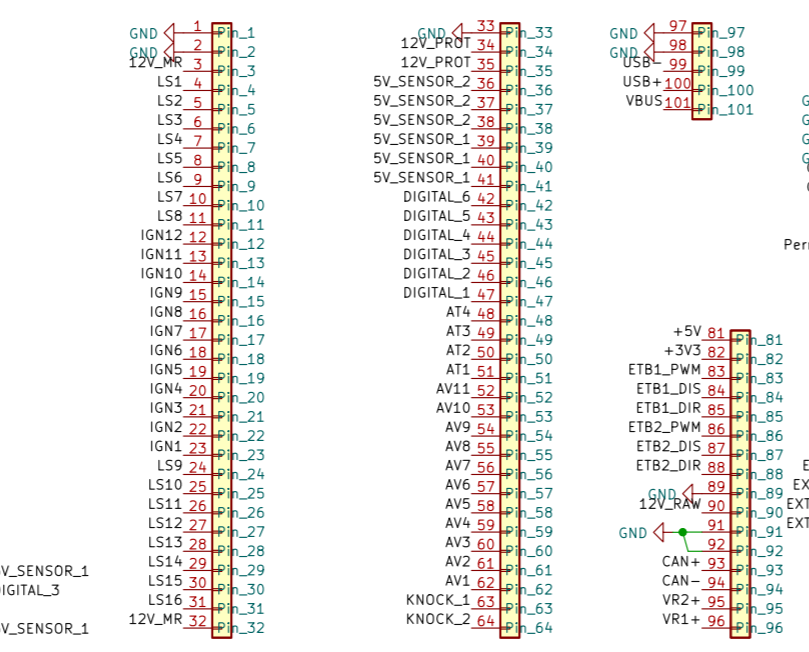
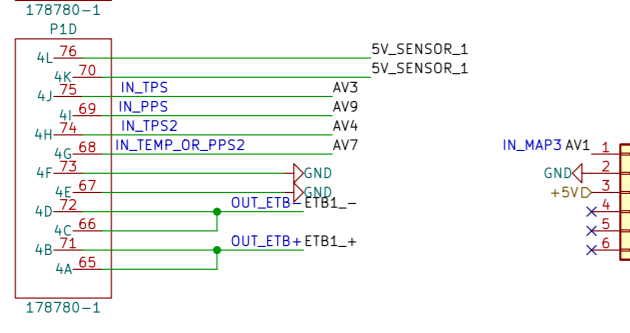
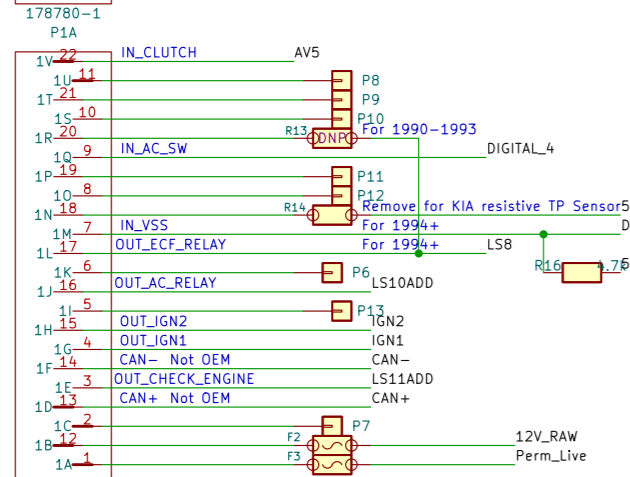
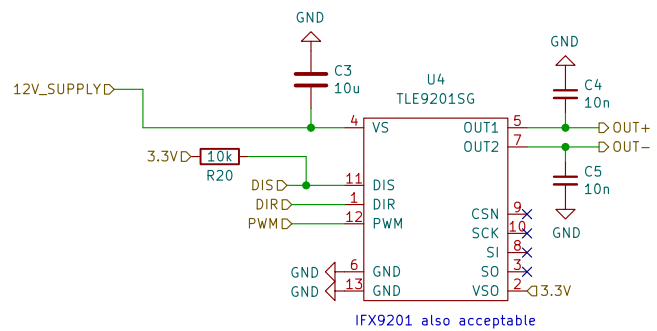


Install R25 for 1990-1993 manual models with KIA TPS
 Also remove R22 for KIA TPS
 WARNING: Installing R25 with stock 1990-1993 TP switch will lead to short of 5V-GND!





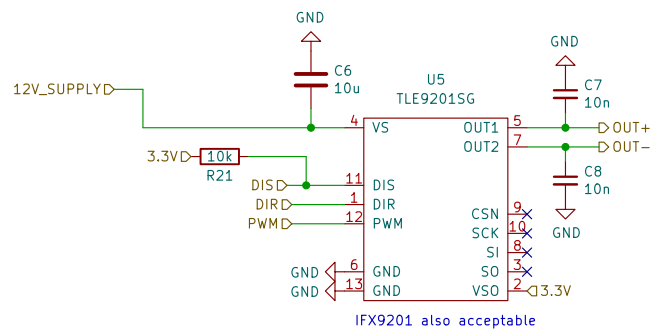
Sheet: /etb-1/
 File: etb-9201.kicad_sch

Title:

Size: A4
 KiCad E.D.A. kicad (6.0.1)

Date:

Rev:
 Id: 2/8



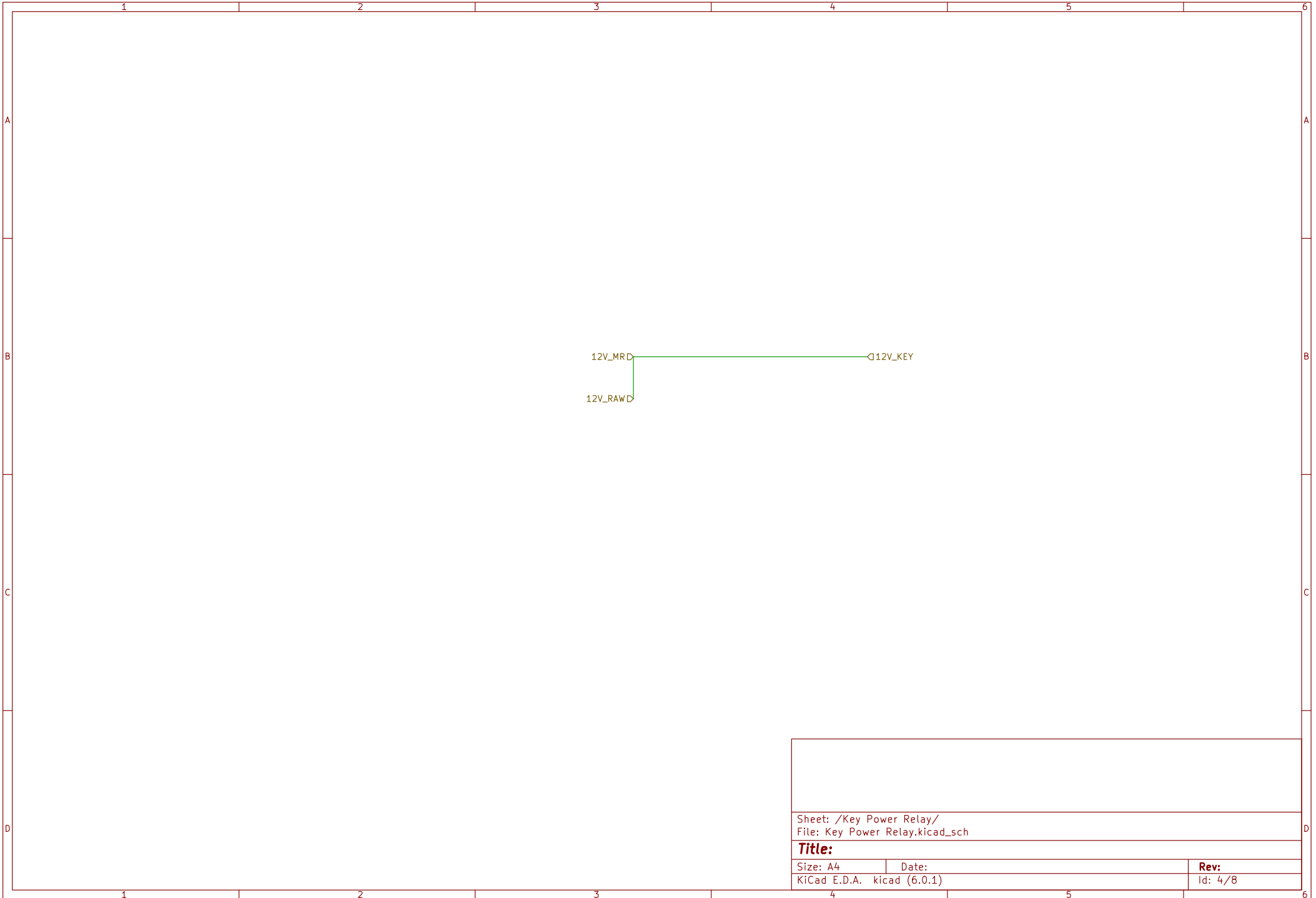
Sheet: /etb-2/
 File: etb-9201.kicad_sch

Title:

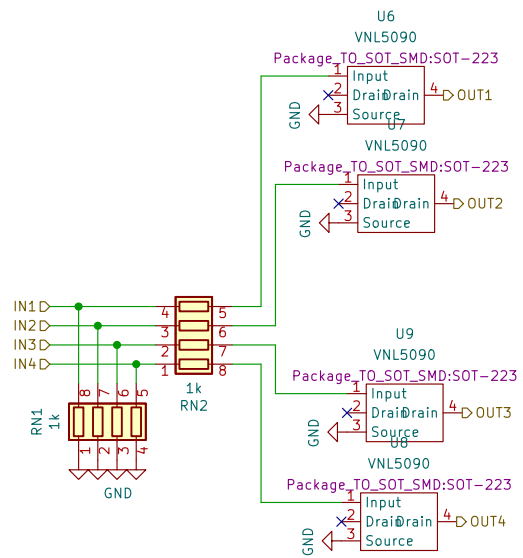
Size: A4
 KiCad E.D.A. kicad (6.0.1)

Date:

Rev:
 Id: 3/8



Sheet: /Key Power Relay/ File: Key Power Relay.kicad_sch		
Title:		
Size: A4	Date:	Rev:
KiCad E.D.A. kicad (6.0.1)		Id: 4/8



Sheet: /Lowside Adder/
 File: Lowside Adder.kicad_sch

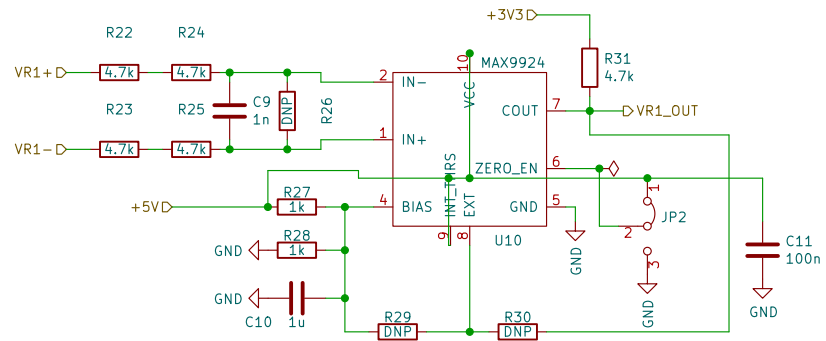
Title:

Size: A4
 KiCad E.D.A. kicad (6.0.1)

Date:

Rev:
 Id: 5/8

Yes, we know that the polarity is flipped going in to the VR interface chips.
 While originally on accident, it's no big deal since they invert anyway;
 When VR+ transitions to a higher voltage than VR-, VR_OUT will output a rising edge.
 See issue <https://github.com/mck1117/proteus/issues/57> for more detail



Optional setting in Mode C for no adaptive threshold timeout – See MAX9924 Datasheet
 Components as specified put chip in mode A1. Flip jumper and install R1219+R2020 for mode C.

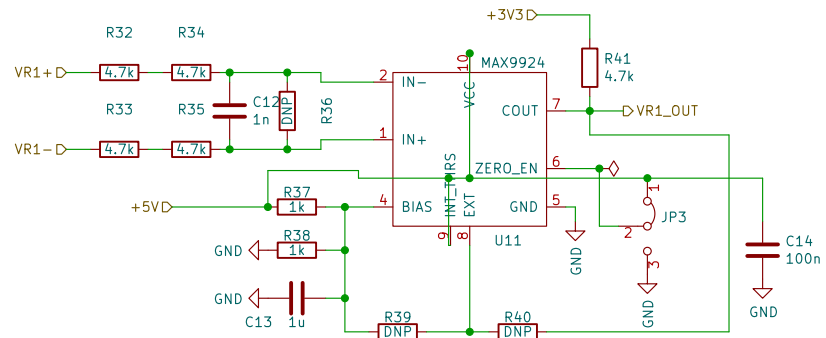
Sheet: /WVR 1/
 File: VR conditioner.kicad_sch

Title:

Size: A4
 KiCad E.D.A. kicad (6.0.1)

Date:
 Rev:
 Id: 7/8

Yes, we know that the polarity is flipped going in to the VR interface chips.
 While originally on accident, it's no big deal since they invert anyway;
 When VR+ transitions to a higher voltage than VR-, VR_OUT will output a rising edge.
 See issue <https://github.com/mck1117/proteus/issues/57> for more detail



Optional setting in Mode C for no adaptive threshold timeout – See MAX9924 Datasheet
 Components as specified put chip in mode A1. Flip jumper and install R1219+R2020 for mode C.

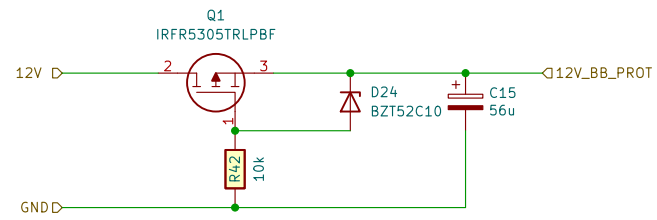
Sheet: /WVR2/
 File: VR_conditioner.kicad_sch

Title:

Size: A4
 KiCad E.D.A. kicad (6.0.1)

Date:

Rev:
 Id: 8/8



Sheet: /ETB Prot/
File: ETB_Prot.kicad_sch

Title:

Size: A4
KiCad E.D.A. kicad (6.0.1)

Date:

Rev:
Id: 8/8