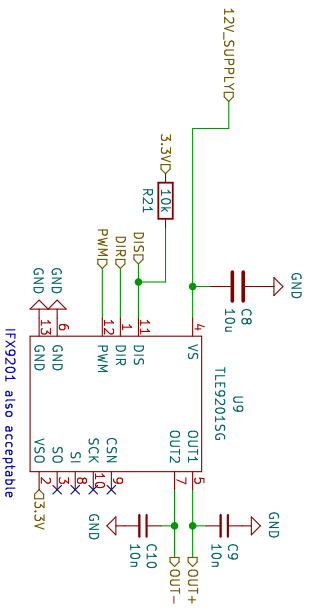


Sheet /	Rev
File: Poligon-Atlas-99-00104.klx	Date:
Project: ECU	Rev:
Client: ECU	Rev:
Rev: 1/7	



Sheet: /etb-2/
 File: etb-9201.kicad_sch

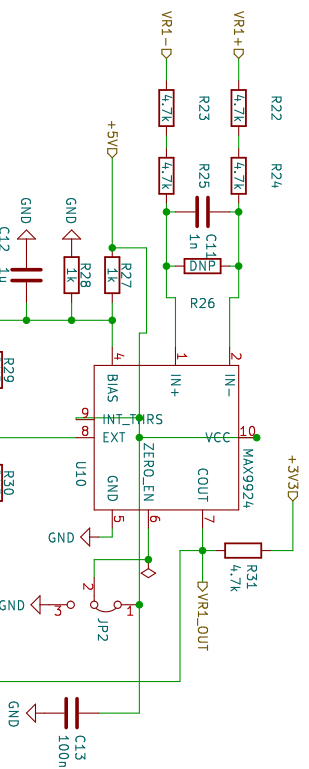
Title:

Size: A4 Date:

KiCad E.D.A. eeschema (6.0.11) Id: 3/8

4 5 6

Yes, we know that the polarity is flipped going in to the VR interface chips.
 While originally on accident, it's no big deal since they invert anyway.
 When VR+ transitions to a higher voltage than VR-, VR_OUT will output a rising edge.
 See issue <https://github.com/mck1117/proteus/issues/57> for more detail



Optional setting in Mode C for no adaptive threshold timeout - See MAX9924 Datasheet Components as specified put chip in mode A1. Flip Jumper and Install R1219+R2020 for mode C.

Sheet: /WVR 1/
 File: VR conditioner.kicad_sch

Title:

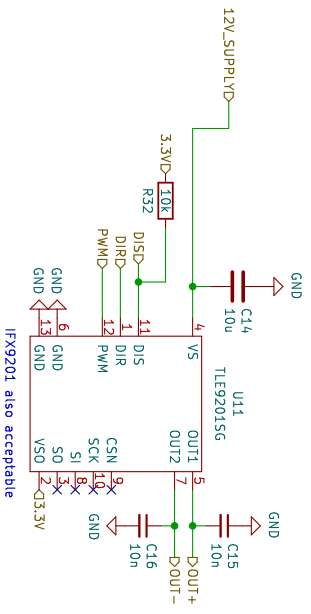
Size: A4

Date:

KiCad E.D.A. eschema (6.0.11)

Rew:

Id: 4/8



Sheet: /etb-1/
 File: etb-9201.kicad_sch

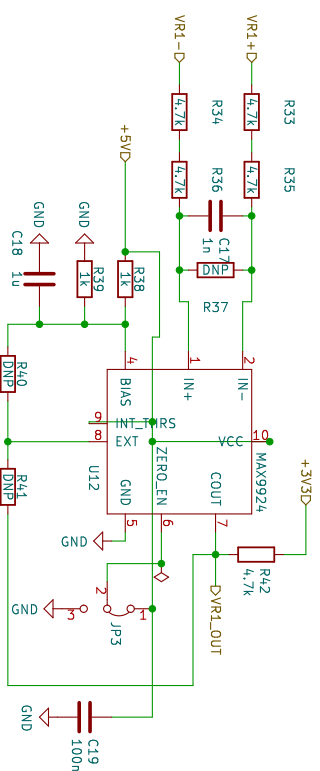
Title:

Size: A4 Date:

KiCad E.D.A. eeschema (6.0.11) Id: 5/8

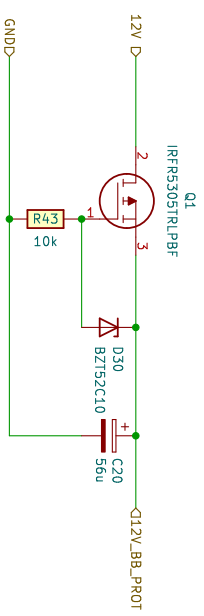
4 5 6

Yes, we know that the polarity is flipped going in to the VR interface chips.
 While originally on accident, it's no big deal since they invert anyway.
 When VR+ transitions to a higher voltage than VR-, VR_OUT will output a rising edge.
 See issue <https://github.com/mck1117/proteus/issues/57> for more detail



Optional setting in Mode C for no adaptive threshold timeout - See MAX9924 Datasheet
 Components as specified put chip in mode A1. Flip Jumper and install R1219+R2020 for mode C.

Sheet: /WVR2/	
File: VR conditioner.kicad_sch	
Title:	
Size: A4	Date:
KICad E.D.A. eschema (6.0.11)	
Rw:	Id: 6/8



Sheet: /ETB Prot/
 File: ETB_Prof.kicad_sch

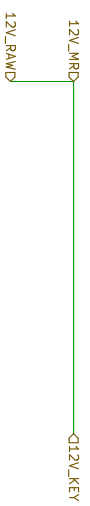
Title:

Size: A4 Date:

KiCad E.D.A. eeschema (6.0.11)

Rw:

Id: 7/8



Sheet: /Key Power Relay/
File: Key Power Relay.Kicad_sch

Title:

Size: A4 Date:

KiCad E.D.A. eeschema (6.0.11)

Rev:

Id: 8/8