

**READ BEFORE USE  
LIRE AVANT UTILISATION  
LEA ANTES DE USAR**

Visit [www.hamiltonbeach.com](http://www.hamiltonbeach.com) for our complete line of products and Use and Care Guides – as well as delicious recipes, tips, and to register your product online!

Rendez-vous sur [www.hamiltonbeach.ca](http://www.hamiltonbeach.ca) pour notre liste complète de produits et de nos manuels utilisateur – ainsi que nos délicieuses recettes et nos conseils !

¡Visite [www.hamiltonbeach.com](http://www.hamiltonbeach.com) (EE. UU.) o [www.hamiltonbeach.com.mx](http://www.hamiltonbeach.com.mx) (México) para ver otros productos de Hamilton Beach o para contactarnos!

**Questions?**

Please call us – our friendly associates are ready to help.  
USA: 1.800.851.8900

**Questions ?**

N'hésitez pas à nous appeler – nos associés s'empresseront de vous aider.  
CAN : 1.800.267.2826

**¿Preguntas?**

Por favor llámenos – nuestros amables representantes están listos para ayudar.  
EE. UU.: 1.800.851.8900  
MEX: 01 800 71 16 100  
*Le invitamos a leer cuidadosamente este instructivo antes de usar su aparato.*

# Hamilton Beach®

Food Dehydrator

Déshydrateur  
d'aliments

Deshidratador de  
alimentos

English ..... 2  
Français ..... 20  
Español..... 38



# IMPORTANT SAFEGUARDS

When using electrical appliances, basic safety precautions should always be followed to reduce the risk of fire, electric shock, and/or injury to persons, including the following:

1. Read all instructions.
2. This appliance is not intended for use by persons (including children) with reduced physical, sensory, or mental capabilities, or lack of experience and knowledge, unless they are closely supervised and instructed concerning use of the appliance by a person responsible for their safety.
3. Close supervision is necessary when any appliance is used by or near children. Children should be supervised to ensure that they do not play with the appliance.
4. Do not touch hot surfaces. Use handles or knobs.
5. To protect against electric shock, do not immerse cord, plug, or base in water or other liquid.
6. Unplug from outlet when not in use and before cleaning. Allow to cool before putting on or taking off parts.
7. Do not operate any appliance with a damaged cord or plug, or after the appliance malfunctions or is dropped or damaged in any manner. Call our toll-free customer service number for information on examination, repair, or adjustment.
8. The use of accessory attachments not recommended by the appliance manufacturer may cause injuries.
9. Do not use outdoors.
10. Do not let cord hang over edge of table or counter, or touch hot surfaces, including stove.
11. Do not place on or near a hot gas or electric burner, or in a heated oven.
12. To disconnect, Pause or Reset/Stop the appliance and then remove plug from wall outlet.
13. Do not use appliance for other than intended use.

## SAVE THESE INSTRUCTIONS!

### Other Consumer Safety Information

**This product is intended for household use only.**

**⚠ WARNING Electrical Shock Hazard:** This product is provided with a polarized plug (one wide blade) to reduce the risk of electric shock. The plug fits only one way into a polarized outlet. Do not defeat the safety purpose of the plug by modifying the plug in any way or by using an adapter. If the plug does not fit fully into the outlet, reverse the plug. If it still does not fit, have an electrician replace the outlet.

The length of the cord used on this appliance was selected to reduce the hazards of becoming tangled in or tripping over a longer cord. If a longer cord is necessary, an approved extension cord may be used. The electrical rating of the extension cord must be equal to or greater than the rating of the appliance. Care must be taken to arrange the extension cord so that it will not drape over the countertop or tabletop where it can be pulled on by children or accidentally tripped over.

To avoid an electrical circuit overload, do not use another high-wattage appliance on the same circuit with this appliance.

# Parts and Features

**BEFORE FIRST USE:** Wash all removable parts in hot, soapy water. Rinse and dry.

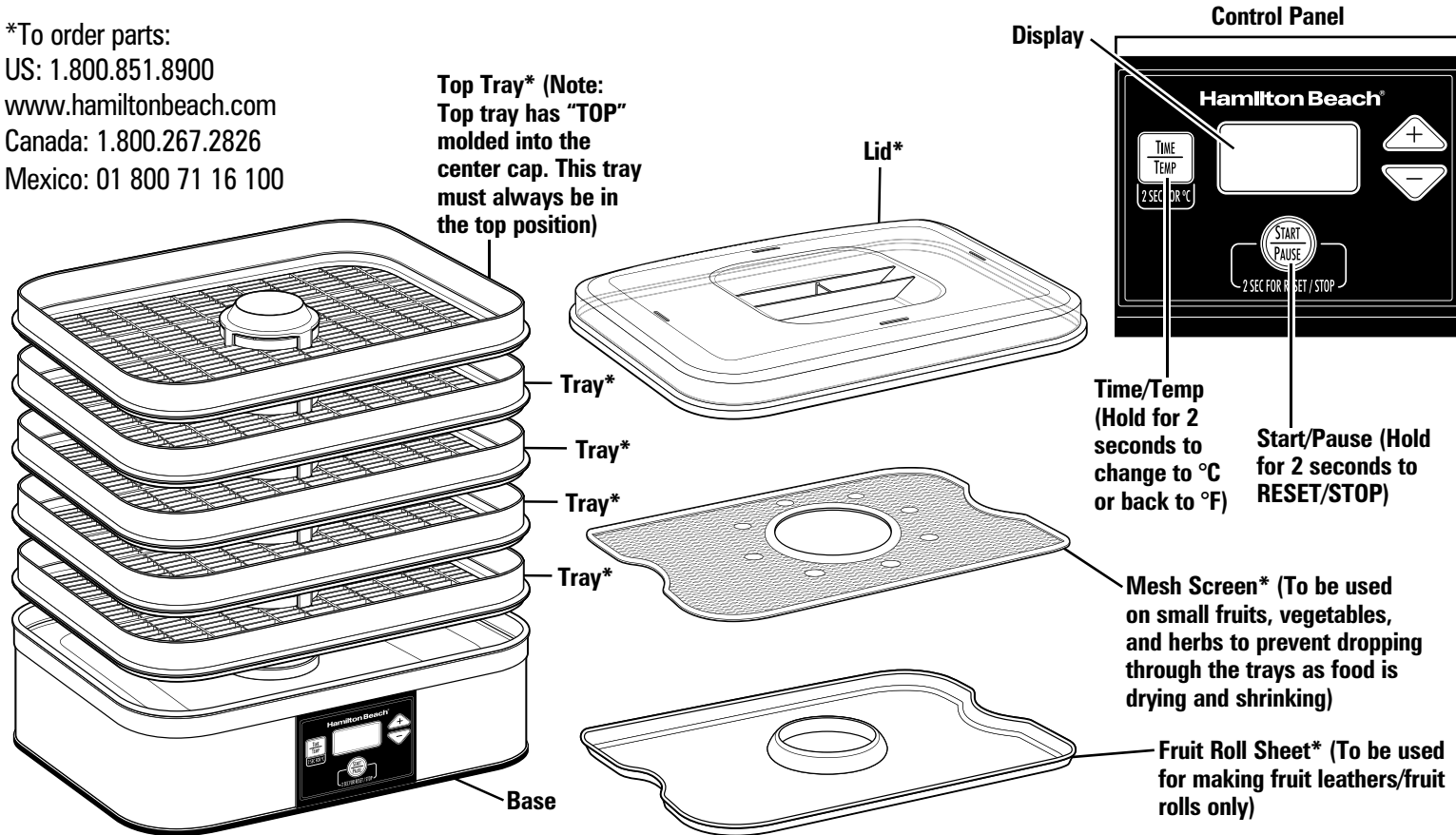
\*To order parts:

US: 1.800.851.8900

www.hamiltonbeach.com

Canada: 1.800.267.2826

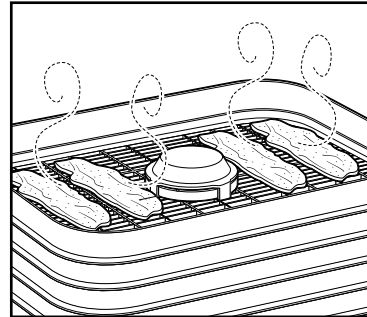
Mexico: 01 800 71 16 100



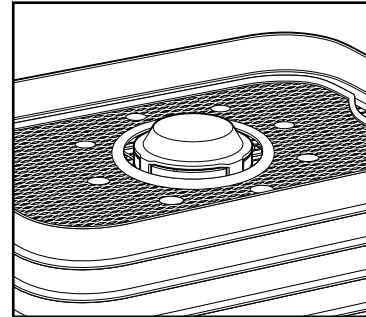
# How to Load Trays and Screens

## Dehydrator Preparation

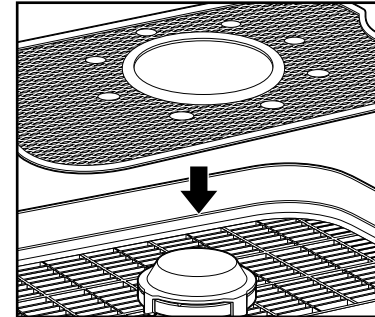
- The top tray must always be in the top position for proper drying.
- All five trays should be used during each drying, even if some are empty.
- It is best to dry one type of similar food at a time; for example, all fruits or all vegetables.
- Always leave trays in place until drying is complete. You may remove food from trays when acceptably dried.



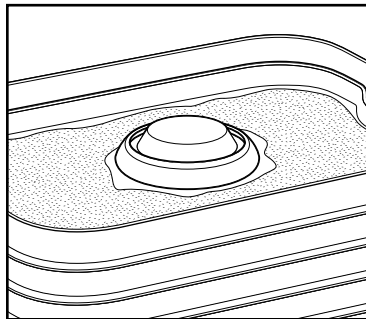
Always place food in a single layer on each tray for even drying. Do not overlap fruits, vegetables, or meats or crowd trays.



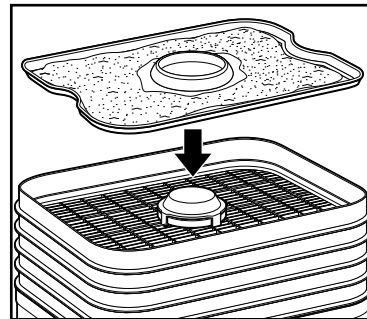
Use the mesh screen for drying herbs and small pieces of fruits or vegetables.



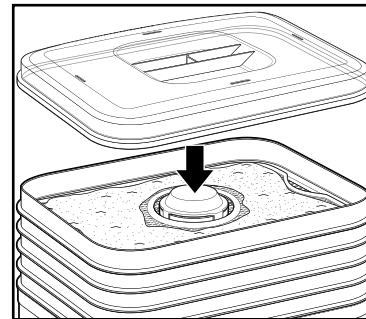
If using a mesh screen, place screen in tray before adding food. For best results, only use mesh screens in the top two trays.



Use the fruit roll sheet for drying purees from fruits.



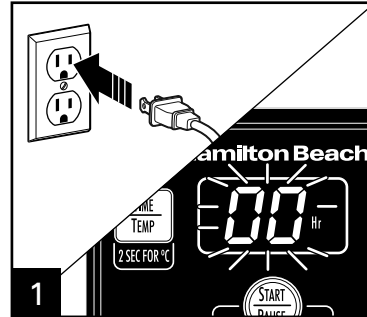
If using the fruit roll sheet, place sheet in the top tray. For best results, do not use more than two fruit roll sheets and place in the top two trays. Always stack the top tray last, before the lid, for proper drying.



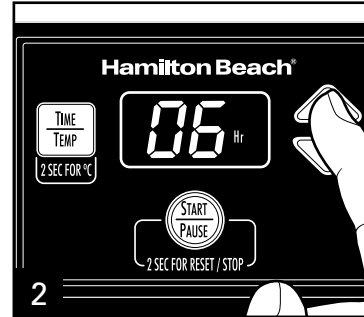
# How to Use the Dehydrator

## NOTES:

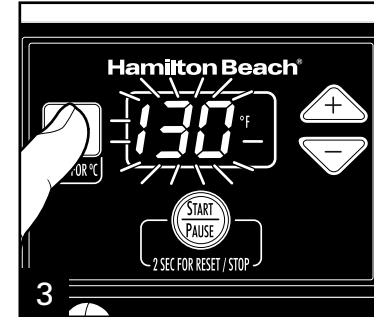
- Food should be stored in an airtight container once properly cooled.
- **To START, PAUSE, or RESET:** Press the **START/PAUSE** button.
- **To Change Time or Temperature During Drying Without Pausing or Resetting:** Press the **TIME/TEMP** button once for time or twice for temperature. The last setting will flash. Use arrows to adjust. Unit will continue drying automatically at the new setting.



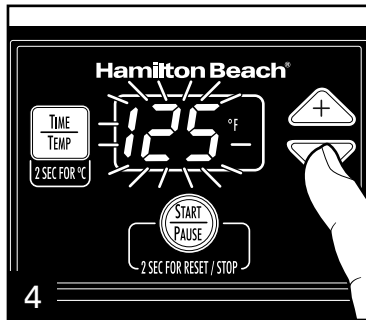
1 Plug in unit. Default time "00" will flash on the display.



2 Press the + arrow to set the drying time. Maximum drying time is 48 hours, which can be set in 1-hour increments.



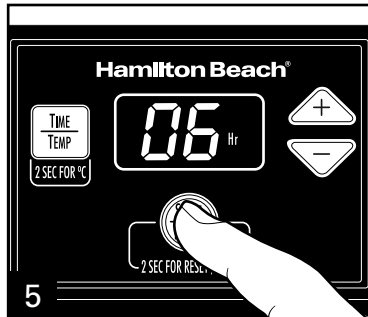
3 Press the **TIME/TEMP** button to set the temperature. Default temperature "130" will flash on the display.



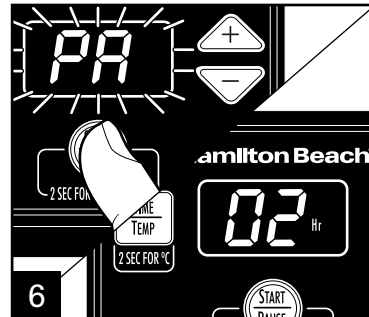
Press the + or – arrow to set the drying temperature. Press the **TIME/TEMP** button to adjust the temperature for Fahrenheit. Press and hold the **TIME/TEMP** button for 2 seconds while **TEMP** is displayed to change from °F to °C. Temperature can be set from 100°F to 160°F in 5° increments. **NOTE:** Default setting is Fahrenheit. If you reset this unit or unplug it while it is set for Celsius, it will go back to Fahrenheit.

5

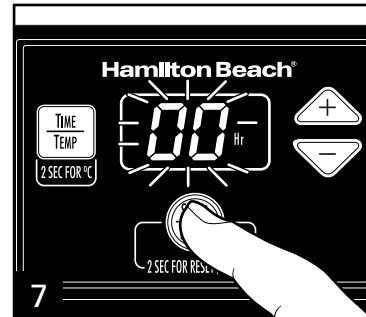
# How to Use the Dehydrator (cont.)



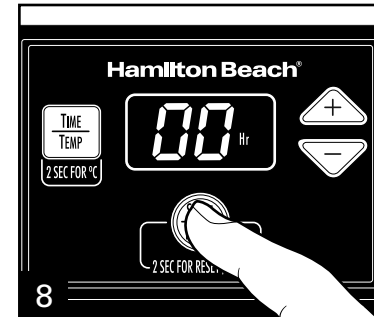
5 Press the **START/PAUSE** button to start drying. The display will alternate from showing **TIME** and **TEMP** over the drying period.



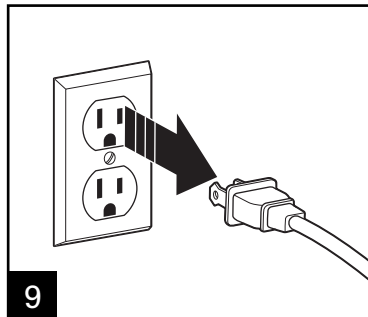
6 **To PAUSE to Check Food:** Press the **START/PAUSE** button and unit will pause. Display will flash "PA." Press the **START/PAUSE** button again to resume drying.



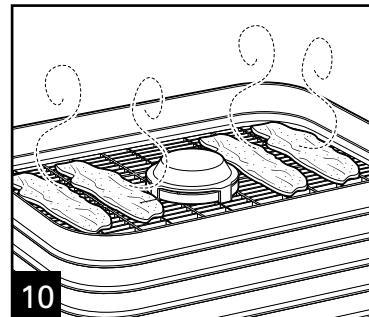
7 **To RESET:** Press and hold the **START/PAUSE** button for 2 seconds; "00" will flash in display. To continue drying, press **TIME/TEMP** button to set a new time and temperature.



8 **To STOP "00" flashing:** Press and hold the **START/PAUSE** button again for an additional 2 seconds. "00" will still appear in display and not flash. If drying is complete, unplug the unit.



9 If drying is complete before programmed time has ended, **PAUSE** or **STOP** unit and then unplug. Let food cool completely on trays or wire rack before storing.



# Food Safety Tips

- For food safety, to help ensure any bacteria present are destroyed, choose pretreatment or post treatment from below:
    - **Pretreatment of Meat Prior to Dehydrating** – Heat oven to 350°F (177°C). Drain and discard marinade from meat. Pat dry with paper towels and place meat in a single layer, leaving a space around each piece on baking sheet. Bake 5 to 10 minutes or until internal temperature reaches 160°F (72°C). Poultry must reach 165°F (74°C).  
**NOTE:** This method may reduce drying time and may result in a drier texture.
    - **Post Treatment of Meat After Dehydrating** – Heat oven to 275°F (135°C). Line a large baking sheet with foil. Place jerky in a single layer, leaving a small space around each piece. Bake for 10 to 12 minutes. Cool completely on a wire rack. Pat jerky dry with paper towels to remove any surface fats before storing.
  - Marinating meats helps with the flavor and texture of jerky. Do not marinate meat longer than recipe or package directions call for.
- TIP:** Post treatment of meat after dehydrating may result in a more desirable jerky texture. Try each treatment to determine which jerky you like best.
- Visit [www.usda.gov](http://www.usda.gov) for any questions on meat and food safety.
  - Never dehydrate meats with fruits and vegetables, due to cross-contamination of foods. Meats dry at a different temperature from fruits or vegetables.
  - All dehydrated foods must be cooled completely before storing.
  - For food safety, complete the food drying process. Do not start and stop the process for longer than 5 minutes. You may pause the process to check on the food's dryness or to remove dehydrated pieces.
  - Label and date all containers of dried foods.

# Dehydrating Fruits and Vegetables

## A. Food Preparation

- Always wash hands before starting food preparation.
- Wash all fruits and vegetables before preparation.
- Choose fruits and vegetables that are in season for the best flavor.
- Discard any fruits and vegetables that have bruises or mold.
- Cut foods the same thickness, size, or shape before drying to ensure even drying.
- Some foods, like garlic, onions, cauliflower, and broccoli, have a strong smell when drying.

## B. Pretreatment

- Some fruits and vegetables require pretreatment before drying. Blanch or add color protectors to preserve natural color.

### How to Blanch (see \*B on pages 10 and 11)

Blanching is recommended for some vegetables to help prevent color and flavor loss during drying and storage. Blanching is used to break the skins on some fruits to help shorten the drying process.

- Bring a large stockpot filled with cold water to a rolling boil.
- Place cleaned fruits or vegetables in a strainer with a handle.
- Dip strainer into the boiling water for the recommended time.
- Make sure that all the fruits or vegetables are covered with water for even blanching.
- After blanching is complete, plunge into a large bowl filled with ice water to stop the blanching process.
- Drain and completely pat dry the fruits or vegetables before dehydrating.

## How to Protect Color (see #C on page 10)

Some fruits and potatoes may discolor during the drying process. To protect the color, follow these steps.

- Prepare a solution of equal parts lemon juice and water.
- Dip pieces into the solution; drain.
- If using a commercial fruit preservative, follow package directions.

## C. Determining Dryness

- Many things influence drying time, including moisture content, type and amount of food, shape and evenness of food slices, air temperature, humidity, and your personal preference in texture of your food.
- Drying charts are a guideline. Drying times and temperatures vary for different types of foods; start checking food at the minimum recommended time referenced on the chart. If the food is not listed on the chart, pick a similar food.
- Combine any remaining food to upper trays for ease of checking doneness.
- Check all trays for doneness at the minimum recommended time on the chart.
  - All fruits should be able to bend and be slightly soft but not be tacky, except for apples and bananas which should be crisp.
  - All vegetables should be crisp and easily broken.



# Dehydrating Fruits and Vegetables (cont.)

## D. Drying Fruit Rolls

- Fruit rolls can be made with peeled and pitted pureed fresh fruits; canned fruit that has been well drained and pureed; defrosted frozen fruit, drained and pureed; or with store-bought applesauce.
- Fruits that are higher in pectin (apples, apricots, blueberries, grapes, peaches, pears, pineapples, and plums) will make a fruit roll with a nice leatherlike texture.
- When using a low-pectin fruit (grapefruits, lemons, limes, oranges, raspberries, and strawberries), combine with a higher-pectin fruit for an easy peelable fruit roll.
- Lightly spray the fruit roll sheet with nonstick cooking spray or lightly grease with vegetable oil before adding your pureed fruit.
- Evenly spread about 3/4 cup to 1 cup (177 ml to 237 ml) puree on the prepared fruit roll sheet about 1/4 inch (0.6 cm) thick.
- Add the fruit roll sheet to one of the top two trays for drying.
- Fruit rolls should be checked for doneness starting at 4 hours.
- Fruit rolls will be slightly tacky when dried.
- Always remove the fruit roll from the sheet after cooling for 15 minutes.
- The fruit roll should be slightly warm to easily remove from the fruit roll sheet.
- Once rolled up, cool completely before storing in an airtight container.

## Storing Dehydrated Food

- Dehydrated foods have to be cooled completely before packaging.
- Properly dried foods need to be stored in a clean, dry, airtight container, such as resealable plastic bags, plastic containers, or glass canning jars with a tight-fitting lid, to keep foods from rehydrating.
- Store all packages in a cool, dry place.
- Dried fruits stored at 60°F (16°C) may keep up to 1 year, while vegetables stored at 60°F (16°C) may keep up to 6 months.
- Fruit rolls stored at room temperature may keep up to 1 month, if stored properly.
- If jerky has been properly dried, cooled, and packaged, it may be stored up to 2 months in an airtight container at room temperature.
- Storing at higher temperature locations will shorten the storing time. Place packaged foods in the freezer for a longer storing time.
- It is a good practice to check dehydrated foods daily. Dehydrate again if you see fruits and vegetables getting soft or if they have condensation on them. Check frequently during the additional drying, since this process will be much shorter.
- Always check the condition of your food prior to consumption. When in doubt, throw it out.

# Dehydrating Chart for Fruits at 135°F (60°C)

\*B = Blanching

#C = Color Protector

(See "How to Blanch" and "How to Protect Color" on page 8)

Fruit	How to Prepare	Pretreatment/Time	Dehydrating Time**	High-Pectin Fruit
Apples	Peeled, sliced 1/4 inch (0.6 cm) thick	#C	8 to 12 hours	Yes
Apricots	Pitted, peeled, sliced 1/4 inch (0.6 cm) thick	#C	15 to 19 hours	Yes
Bananas	Sliced 1/4 inch (0.6 cm) thick	#C	6 to 10 hours	No
Blueberries	Whole	*B/1 minute	14 to 18 hours	Yes
Cherries	Pitted, halved	–	22 to 26 hours	No
Cranberries	Whole	*B/1 minute	17 to 21 hours	Yes
Green or Red Seedless Grapes	Halved	–	19 to 23 hours	Yes
Kiwi	Sliced 1/4 inch (0.6 cm) thick	–	8 to 12 hours	Yes
Lemons, Limes, or Oranges	Sliced 1/4 inch (0.6 cm) thick	–	17 to 21 hours	No
Mangoes	Peeled, pitted, sliced 1/4 inch (0.6 cm) thick	–	13 to 17 hours	No
Nectarines	Peeled, pitted, sliced 1/4 inch (0.6 cm) thick	#C	11 to 15 hours	Yes
Peaches	Peeled, sliced 1/4 inch (0.6 cm) thick	#C	11 to 15 hours	Yes
Pears	Peeled, sliced 1/4 inch (0.6 cm) thick	#C	10 to 14 hours	Yes
Pineapples	Peeled, cored, sliced 1/4 inch (0.6 cm) thick	–	12 to 16 hours	Yes
Plums	Pitted, sliced in eighths	–	23 to 27 hours	Yes
Strawberries	Sliced 1/4 inch (0.6 cm) thick	–	6 to 10 hours	No

\*\*Times may vary depending on the ripeness of your fruits and amount per tray. See "Dehydrating Fruits and Vegetables" on pages 8 and 9.

# Dehydrating Chart for Vegetables at 125°F (55°C)

\*B = Blanching (See "How to Blanch" on page 8)

Vegetable	How to Prepare	Pretreatment/Time	Dehydrating Time**
Bell Peppers	Sliced 1/4 inch (0.6 cm) thick	–	9 to 13 hours
Broccoli	Small florets	*B/2 minutes	9 to 13 hours
Carrots	Sliced diagonally 1/4 inch (0.6 cm) thick	*B/2 minutes	11 to 15 hours
Cauliflower	Small florets	*B/2 minutes	8 to 12 hours
Celery	Sliced diagonally 1/4 inch (0.6 cm) thick	–	5 to 9 hours
Grape Tomatoes	Halved	–	13 to 17 hours
Green Beans	Sliced 1/4 inch (0.6 cm) thick	*B/2 minutes	12 to 16 hours
Mushrooms	Sliced 1/4 inch (0.6 cm) thick	–	8 to 12 hours
Onions	Sliced 1/4 inch (0.6 cm) thick	–	14 to 18 hours
Squash, Yellow or Zucchini	Sliced 1/4 inch (0.6 cm) thick	–	7 to 11 hours
Tomatoes	Sliced 1/4 inch (0.6 cm) thick	–	10 to 13 hours

\*\*Times may vary depending on the water content of your vegetables.

# Dehydrating Fresh Herbs

- Herb leaves that are larger such as basil, bay leaves, mint, sage, or sorrel should be picked from the stems before drying.
- Herbs such as cilantro, dill, parsley, or rosemary should be kept on the stem for drying. It is easier to remove the herbs after drying.
- Always rinse herbs with cold water and carefully remove any remaining water with a salad spinner or paper towels. Herbs must be completely dried before dehydrating begins.
- Small herbs should be placed on the mesh screen for the best drying.
- Herbs are fast-drying when compared to fruits, vegetables, and marinated meats.
- Herbs crumble easily when dried.
- Herbs must be cooled completely before storing in an airtight container.

## Dehydrating Chart for Herbs at 100°F (40°C)

<b>Fresh Herb</b>	<b>Dehydrating Time**</b>
Basil	4 to 6 hours
Chives	5 to 7 hours
Cilantro	4 to 6 hours
Mint	5 to 7 hours
Parsley	4 to 6 hours
Rosemary	5 to 7 hours

\*\*Times may vary depending on the water content of your herbs.

# Dehydrating Jerky

- Wash your hands with soap and warm water before preparation of jerky.
- Choose lean cuts of meat for jerky.
- Trim any fat from meat before marinating.
- Wrap meat in plastic wrap and freeze for a minimum of 1 hour for easy slicing before marinating.
- Marinate in a heavy-duty resealable plastic zipper bag or a glass dish. Do not use a metal pan for marinating, since it causes a flavor change and a possible reaction of the marinade to the metal of the pan.
- Always marinate meats for jerky in a refrigerator; drain and discard marinade before drying.
- Dehydrate jerky according to the recipe or follow jerky preparation according to package directions.
- Check jerky after 4 hours and every 30 minutes after.
- Jerky is dry when it cracks without breaking when bent.
- Pat jerky dry with a paper towel to remove any surface fats and cool completely before storing in an airtight container.
- If jerky has been properly dried, cooled, and packaged, it may be stored up to 2 months in an airtight container at room temperature.
- Always slice meats against the grain for a more tender jerky.
- Meat slices should be no more than 1/4 inch (0.6 cm) thick, 4 inches (10.2 cm) long and 2 inches (5.1 cm) wide.
- Never marinate meat at room temperature. Always refrigerate meat when marinating.
- Always follow the recipe directions.
- Label and date all containers of jerky.

**NOTE:** For food safety, to help ensure any bacteria present are destroyed, choose pretreatment or post treatment from below:

- **Pretreatment of Meat Prior to Dehydrating** – Heat oven to 350°F (177°C). Drain and discard marinade from meat. Pat dry with paper towels and place meat in a single layer, leaving a space around each piece on baking sheet. Bake 5 to 10 minutes or until internal temperature reaches 160°F (72°C). Poultry must reach 165°F (74°C). **NOTE:** This method may reduce drying time and may result in a drier texture.
- **Post Treatment of Meat After Dehydrating** – Heat oven to 275°F (135°C). Line a large baking sheet with foil. Place jerky in a single layer, leaving a small space around each piece. Bake for 10 to 12 minutes. Cool completely on a wire rack. Pat jerky dry with paper towels to remove any surface fats before storing.

# Recipes

## Whiskey Beef Jerky

### Ingredients:

2 pounds (907 g) beef top round  
2 cups (473 ml) root beer  
1 cup (237 ml) whiskey  
1/2 cup (118 ml) molasses  
1/2 cup (118 ml) brown sugar  
1/2 cup (118 ml) soy sauce  
2 Tablespoons (30 ml) liquid smoke  
1 Tablespoon (15 ml) garlic powder  
1 Tablespoon (15 ml) chili powder

### Directions:

1. Place beef in a resealable plastic freezer bag and freeze for 1 hour or until firm enough to slice easily.
2. In a medium bowl, mix remaining ingredients until brown sugar is dissolved.
3. Remove beef from freezer and slice against the grain into 1/4-inch-thick (0.6-cm) slices.
4. Add beef and marinade to bag, making sure meat is completely covered with marinade.
5. Close bag and refrigerate 8 to 12 hours.
6. Drain and discard marinade. Pat all slices of beef with paper towels.
7. Place beef slices in a single layer on the first tray, leaving space around each slice for proper drying. Fill trays with remaining beef slices.
8. Stack trays on base with the top tray last.
9. Set the dehydrator to 160°F (70°C) for 4 to 8 hours. Start checking beef for doneness at 4 hours and then every 30 minutes. Jerky is dry when you can bend it and the top cracks, but the slice does not break.
10. Heat oven to 275°F (135°C).
11. Line a large cookie sheet with aluminum foil. Place jerky in a single layer, leaving a small space around each slice.
12. Bake for 10 to 12 minutes. Cool completely on a wire rack. Pat dry with paper towels before storing in an airtight container.

**Makes: About 1 pound**

# Recipes (cont.)

## Cajun Beef Jerky

### Ingredients:

3 pounds (1.4 kg) beef top round  
3/4 cup (177 ml) Worcestershire sauce  
1/2 cup (118 ml) water  
1/2 cup (118 ml) soy sauce  
1/3 cup (79 ml) teriyaki sauce  
1 Tablespoon (15 ml) onion powder  
1 Tablespoon (15 ml) Old Bay® Seasoning  
1 Tablespoon (15 ml) liquid smoke  
2 teaspoons (10 ml) Cajun seasoning  
1 teaspoon (5 ml) celery seed

### Directions:

1. Place beef in a resealable plastic freezer bag and freeze for 1 hour or until firm enough to slice easily.
2. In a medium bowl, mix remaining ingredients.
3. Remove beef from freezer and slice against the grain into 1/4-inch-thick (0.6-cm) slices.
4. Divide beef and marinade between 2 bags, making sure meat is completely covered with marinade.
5. Close bag and refrigerate 8 to 12 hours.
6. Drain and discard marinade. Pat all slices of beef with paper towels.
7. Place beef slices in a single layer on the first tray, leaving space around each slice for proper drying. Fill trays with remaining beef slices.
8. Stack trays on base with the top tray last.
9. Set the dehydrator to 160°F (70°C) for 4 to 8 hours. Start checking beef for doneness at 4 hours and then every 30 minutes. Jerky is dry when you can bend it and the top cracks, but the slice does not break.
10. Heat oven to 275°F (135°C).
11. Line a large cookie sheet with aluminum foil. Place jerky in a single layer, leaving a small space around each slice.
12. Bake for 10 to 12 minutes. Cool completely on a wire rack. Pat dry with paper towels before storing in an airtight container.

**Makes: About 1 1/2 pounds**

# Recipes (cont.)

## Teriyaki Beef Jerky

### Ingredients:

2 pounds (907 g) flank steak  
2 cups (473 ml) pineapple juice  
1 bottle (15 ounces/444 ml) soy sauce  
1 1/2 cups (355 ml) packed light brown sugar  
1 cup (237 ml) rice vinegar  
6 large garlic cloves, halved  
2 small dried red chilis, halved

### Directions:

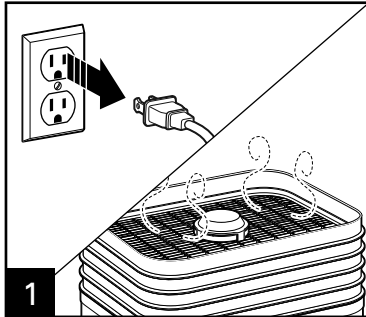
1. Place beef in a resealable plastic freezer bag and freeze for 1 hour or until firm enough to slice easily.
2. In a medium bowl, mix remaining ingredients until brown sugar is dissolved.
3. Remove beef from freezer and slice against the grain into 1/4-inch-thick (0.6-cm) slices.
4. Add beef and marinade to bag, making sure meat is completely covered with marinade.
5. Close bag and refrigerate 8 to 12 hours.
6. Drain and discard marinade. Pat all slices of beef with paper towels.
7. Place beef slices in a single layer on the first tray, leaving space around each slice for proper drying. Fill trays with remaining beef slices.
8. Stack trays on base with the top tray last.
9. Set the dehydrator to 160°F (70°C) for 4 to 8 hours. Start checking beef for doneness at 4 hours and then every 30 minutes. Jerky is dry when you can bend it and the top cracks, but the slice does not break.
10. Heat oven to 275°F (135°C).
11. Line a large cookie sheet with aluminum foil. Place jerky in a single layer, leaving a small space around each slice.
12. Bake for 10 to 12 minutes. Cool completely on a wire rack. Pat dry with paper towels before storing in an airtight container.

**Makes: About 1 pound**

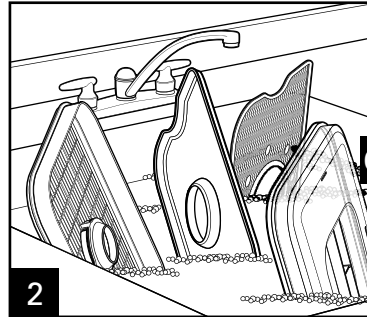


# Care and Cleaning

**⚠ WARNING Electrical Shock Hazard:**  
Disconnect power before cleaning. Do not immerse cord, plug, or base in water or other liquid.



**1** Unplug unit when through drying. Let cool.

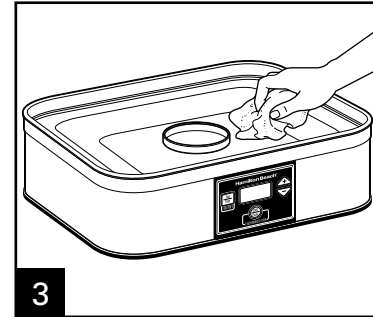


**2** Wash in warm, soapy water.



OR

**DISHWASHER-SAFE**  
DO NOT use the "SANI" setting when washing in the dishwasher. "SANI" cycle temperatures could damage your product.



**3** Wipe the base with a damp, soapy cloth.

# Troubleshooting

<b>PROBLEM</b>	<b>PROBABLE CAUSE/SOLUTION</b>
Food not drying.	<ul style="list-style-type: none"><li>• Food could be cut too thick or peel could have been left on. Follow recommendations in charts on pages 10, 11, or 12, or according to the recipe.</li><li>• Too much food on each tray. Remove some foods and dehydrate for a longer time.</li></ul>
Food drying unevenly.	<ul style="list-style-type: none"><li>• Foods need to be cut uniformly.</li><li>• Foods with uneven pieces can be rotated during the drying process.</li></ul>
Fruits or vegetables become soft during storage.	<ul style="list-style-type: none"><li>• Too much moisture was left in the food. Dry further to remove excess moisture.</li></ul>

# Limited Warranty

This warranty applies to products purchased and used in the U.S. and Canada. This is the only express warranty for this product and is in lieu of any other warranty or condition.

This product is warranted to be free from defects in material and workmanship for a period of five (5) years from the date of original purchase in Canada and one (1) year from the date of original purchase in the U.S. During this period, your exclusive remedy is repair or replacement of this product or any component found to be defective, at our option; however, you are responsible for all costs associated with returning the product to us and our returning a product or component under this warranty to you. If the product or component is no longer available, we will replace with a similar one of equal or greater value.

This warranty does not cover glass, filters, wear from normal use, use not in conformity with the printed directions, or damage to the product resulting from accident, alteration, abuse, or misuse. This warranty extends only to the original consumer purchaser or gift recipient. Keep the original sales receipt, as proof of purchase is required to make a warranty claim. This warranty is void if the product is used for other than single-family household use or subjected to any voltage and waveform other than as specified on the rating label (e.g., 120V ~ 60 Hz).

We exclude all claims for special, incidental, and consequential damages caused by breach of express or implied warranty. All liability is limited to the amount of the purchase price. **Every implied warranty, including any statutory warranty or condition of merchantability or fitness for a particular purpose, is disclaimed except to the extent prohibited by law, in which case such warranty or condition is limited to the duration of this written warranty.** This warranty gives you specific legal rights. You may have other legal rights that vary depending on where you live. Some states or provinces do not allow limitations on implied warranties or special, incidental, or consequential damages, so the foregoing limitations may not apply to you.

To make a warranty claim, do not return this appliance to the store. Please call 1.800.851.8900 in the U.S. or 1.800.267.2826 in Canada or visit [hamiltonbeach.com](http://hamiltonbeach.com) in the U.S. or [hamiltonbeach.ca](http://hamiltonbeach.ca) in Canada. For faster service, locate the model, type, and series numbers on your appliance.

## PRÉCAUTIONS IMPORTANTES

Pour utiliser un appareil électroménager, vous devez toujours prendre des mesures élémentaires de sécurité pour réduire le risque d'incendie, d'électrocution et/ou de blessure corporelle, en particulier les mesures suivantes :

1. Lire toutes les instructions.
2. Cet appareil n'est pas destiné à être utilisé par des personnes (y compris les enfants) dont les capacités physiques, sensorielles ou mentales sont réduites, ou manquant d'expérience et de connaissance, sauf si elles sont étroitement surveillées et instruites sur l'utilisation de l'appareil par une personne responsable de leur sécurité.
3. Une surveillance étroite est requise pour tout appareil utilisé par ou près des enfants. Surveiller que les enfants ne jouent pas avec l'appareil.
4. Ne pas toucher les surfaces chaudes. Utiliser les poignées ou les boutons.
5. Pour éviter les risques d'électrocution, ne pas immerger le cordon, la fiche ou la base dans l'eau ou tout autre liquide.
6. Débrancher la fiche de la prise murale dès la fin de l'utilisation et avant de le nettoyer. Laisser refroidir l'appareil avant d'installer ou de retirer des pièces.
7. Ne pas faire fonctionner aucun appareil dont le cordon ou la fiche est endommagé ou suite à un dysfonctionnement de l'appareil, s'il est tombé ou endommagé de quelque manière que ce soit. Appeler notre numéro sans frais de service à la clientèle pour des renseignements concernant l'examen, la réparation ou l'ajustement.
8. L'utilisation d'accessoires non recommandés par le fabricant d'électroménagers peut causer des blessures.
9. Ne pas utiliser à l'extérieur.
10. Ne pas laisser pendre le cordon de la table ou du comptoir et éviter que le cordon n'entre en contact avec des surfaces chaudes, y compris la cuisinière.
11. Ne pas placer sur ou près de surfaces chaudes comme un brûleur électrique ou à gaz ou un four chaud.
12. Avant de débrancher, mettre l'appareil en pause ou le réinitialiser/éteindre puis débrancher la fiche de la prise de courant murale.
13. N'utiliser cet appareil que pour les fonctions auxquelles il est destiné.

## CONSERVER CES INSTRUCTIONS !

### Autres consignes de sécurité pour le consommateur

**Cet appareil est destiné à un usage domestique uniquement.**

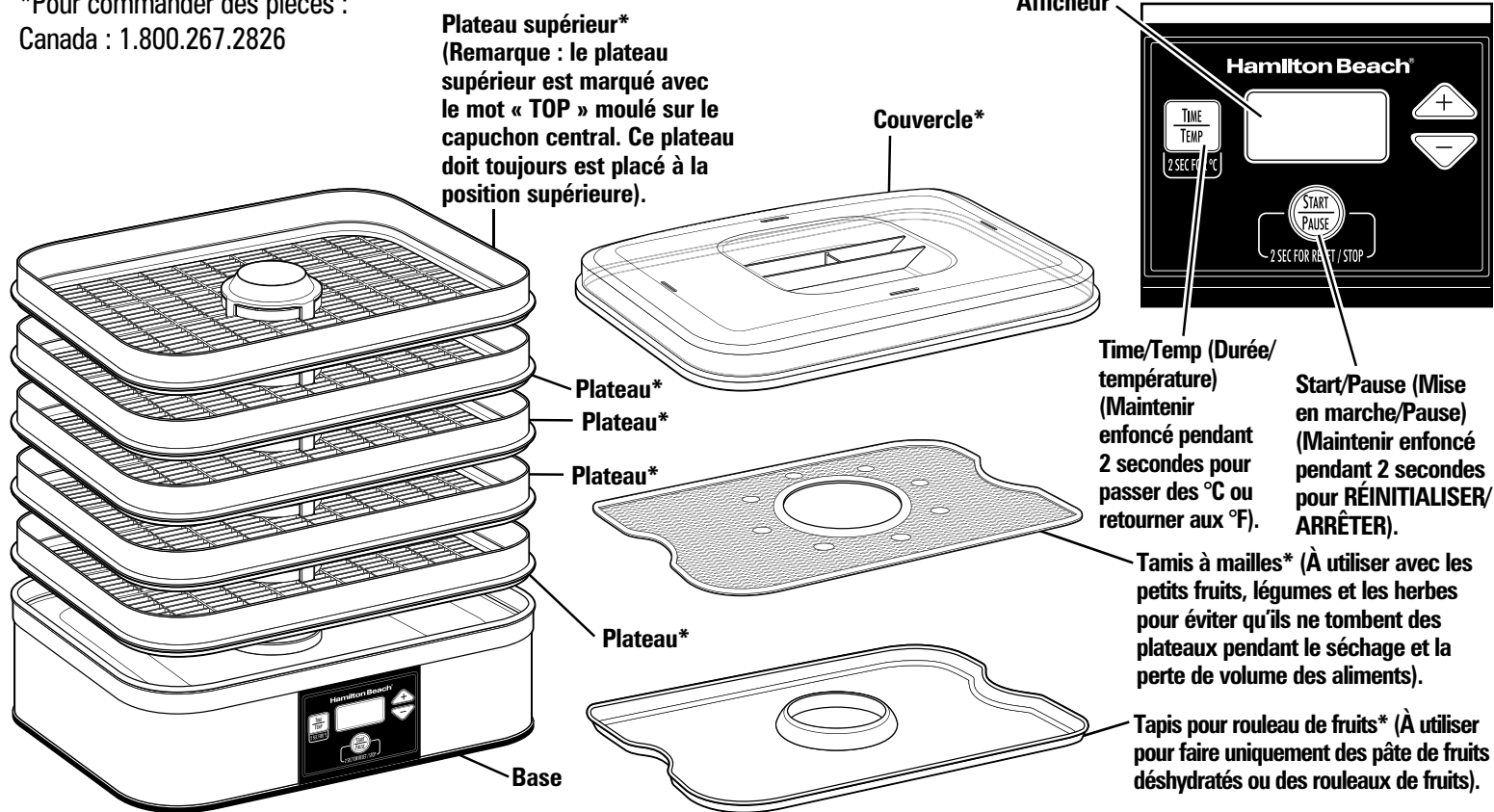
**⚠ AVERTISSEMENT Risque de choc électrique :** Ce produit est fourni avec une fiche polarisée (une broche large) pour réduire le risque d'électrocution. Cette fiche n'entre que dans un seul sens dans une prise polarisée. Ne contrecarrez pas l'objectif sécuritaire de cette fiche en la modifiant de quelque manière que ce soit ou en utilisant un adaptateur. Si vous ne pouvez pas insérer complètement la fiche dans la prise, inversez la fiche. Si elle refuse toujours de s'insérer, faire remplacer la prise par un électricien.

La longueur du cordon installé sur cet appareil a été sélectionnée afin de réduire les risques d'enchevêtrement ou de faux pas causés par un fil trop long. L'utilisation d'une rallonge approuvée est permise si le cordon est trop court. Les caractéristiques électriques de la rallonge doivent être équivalentes ou supérieures aux caractéristiques de l'appareil. Prendre toutes les précautions nécessaires pour installer la rallonge de manière à ne pas la faire courir sur le comptoir ou sur une table pour éviter qu'un enfant ne tire sur le cordon ou trébuche accidentellement.

Pour éviter la surcharge du circuit électrique, ne pas utiliser un autre appareil à haute puissance sur le même circuit que cet appareil.

# Pièces et caractéristiques

\*Pour commander des pièces :  
Canada : 1.800.267.2826



**Plateau supérieur\***  
(Remarque : le plateau supérieur est marqué avec le mot « TOP » moulé sur le capuchon central. Ce plateau doit toujours est placé à la position supérieure).

**Couvercle\***

**Plateau\***

**Plateau\***

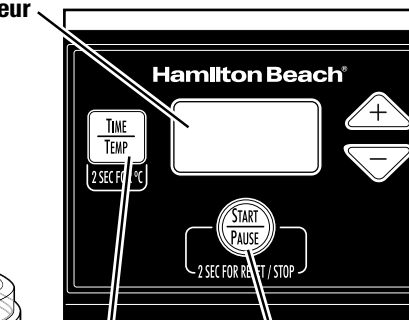
**Plateau\***

**Plateau\***

**Base**

**Panneau de commande**

**Afficheur**



**Time/Temp (Durée/ température)**  
(Maintenir enfoncé pendant 2 secondes pour passer des °C ou retourner aux °F).

**Start/Pause (Mise en marche/Pause)**  
(Maintenir enfoncé pendant 2 secondes pour RÉINITIALISER/ ARRÊTER).

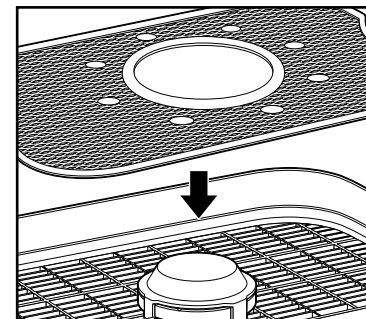
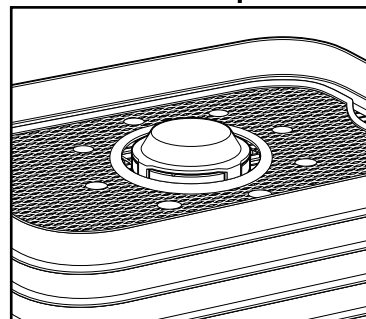
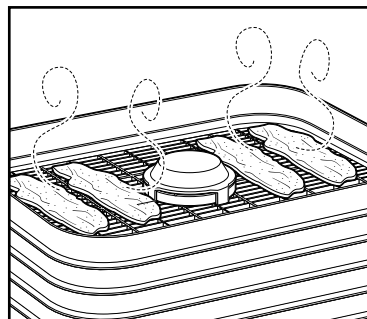
**Tamis à mailles\*** (À utiliser avec les petits fruits, légumes et les herbes pour éviter qu'ils ne tombent des plateaux pendant le séchage et la perte de volume des aliments).

**Tapis pour rouleau de fruits\*** (À utiliser pour faire uniquement des pâte de fruits déshydratés ou des rouleaux de fruits).

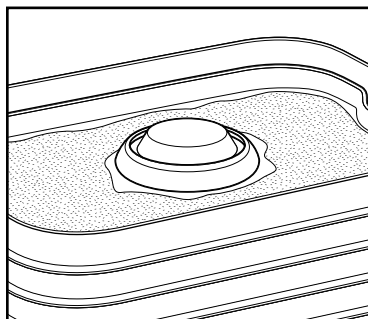
# Comment répartir les aliments sur les plateaux et les tamis

## Préparation du déshydrateur d'aliments

- Le plateau supérieur doit toujours être placé à la position supérieur pour obtenir un bon séchage.
- Les cinq (5) plateaux doivent être utilisés pendant chaque séchage même s'ils sont vides.
- Il est préférable de sécher des aliments semblables à la fois; par exemple, sécher uniquement des fruits ou uniquement des légumes.
- Toujours laisser les plateaux en place tant que le séchage n'est pas terminé. Les aliments peuvent être retirés des plateaux dès qu'ils sont convenablement séchés.

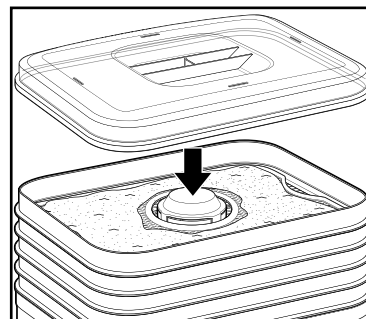
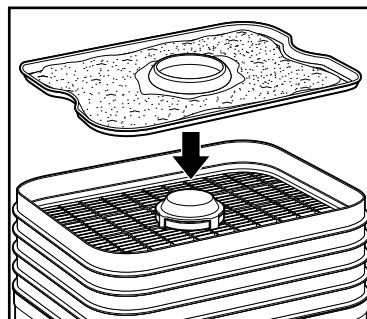


Toujours déposer les aliments en une seule couche sur chaque plateau pour obtenir un séchage uniforme. Ne pas chevaucher les fruits, les légumes ou les viandes ou surcharger les plateaux. Utiliser le tamis à mailles pour sécher les herbes ou les petits morceaux de fruits ou de légumes. Si l'on utilise le tamis à mailles, placer le tamis dans le plateau avant d'y ajouter les aliments. Pour obtenir de meilleurs résultats, utiliser seulement les tamis à mailles dans les deux plateaux supérieurs.



Utiliser le tapis pour rouleau de fruits pour sécher les purées de fruits ou de légumes.

22

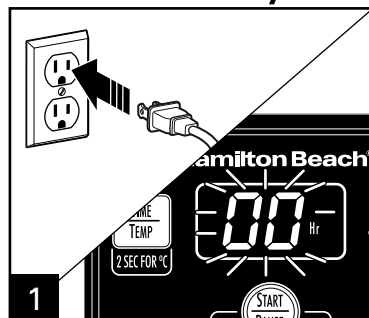


Si l'on utilise le tapis pour rouleau de fruits, placer le tapis dans le plateau supérieur. Pour obtenir de meilleurs résultats, ne pas utiliser plus de deux (2) tapis pour rouleau de fruits par-dessus les deux plateaux. Toujours déposer le plateau supérieur en dernier, avant le couvercle, pour obtenir un bon séchage.

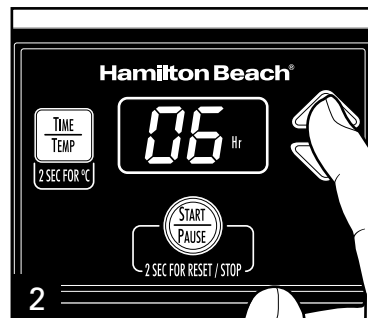
# Utilisation du déshydrateur d'aliments

## REMARQUES :

- Les aliments doivent être stockés dans un contenant hermétique après le refroidissement complet.
- Pour **METTRE EN MARCHÉ, FAIRE UNE PAUSE ou RÉINITIALISER** : Appuyer sur le bouton **START/PAUSE**.
- Pour **modifier la durée ou la température pendant le séchage sans faire une pause ou réinitialiser** : Appuyer sur le bouton **TIME/TEMP** (durée/température) une fois pour modifier la durée ou deux fois pour modifier la température. Le dernier réglage clignotera. Utiliser les flèches pour régler. L'appareil poursuivra automatiquement le séchage selon le nouveau réglage.



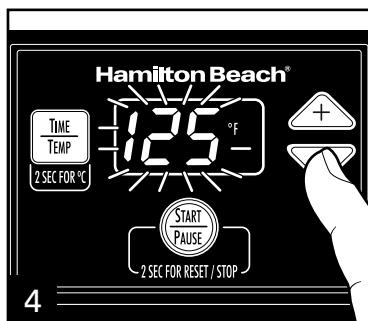
1 Brancher l'appareil. La durée par défaut « 00 » clignotera à l'afficheur.



2 Appuyer sur la flèche + pour régler la durée de séchage. La durée de séchage maximum est de 48 heures et se règle par incrément d'une (1) heure.

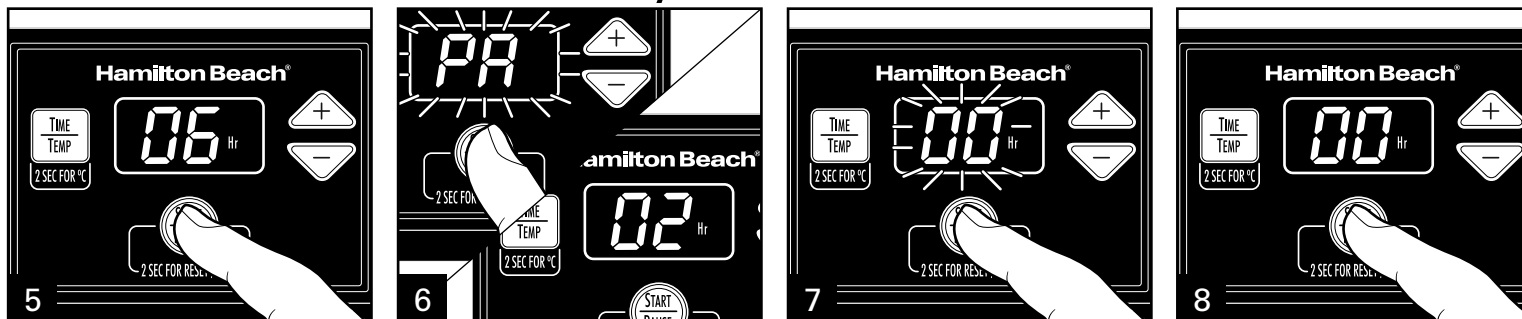


3 Appuyer sur le bouton **TIME/TEMP** (durée/température) pour régler la température. La température par défaut « 130 » clignotera à l'afficheur.

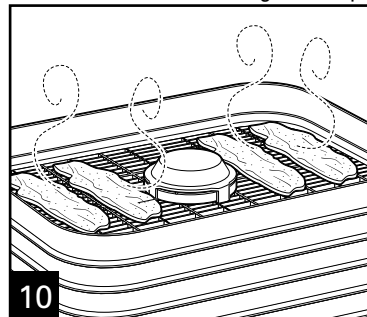
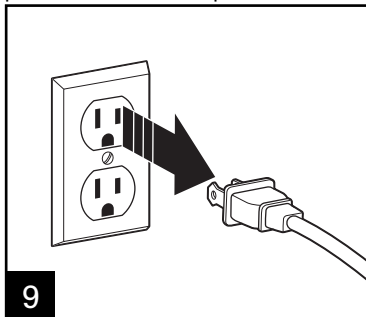


4 Appuyer sur la flèche + ou - pour régler la température de séchage. Appuyer sur le bouton **TIME/TEMP** (durée/température) pour régler la température en Fahrenheit. Appuyer et maintenir le bouton **TIME/TEMP** (durée/température) pendant 2 secondes pendant que la température est affiché pour passer des degrés Fahrenheit en Celsius. La température peut être réglée de 100 °F à 160 °F par incrément de 5°. **REMARQUE** : Le réglage par défaut est en degrés Fahrenheit. L'appareil affichera les degrés Fahrenheit si ce dernier est réinitialisé ou débranché lorsque le réglage a été modifié en degrés Celsius.

## Utilisation du déshydrateur d'aliments (suite)



Appuyer sur le bouton **START/PAUSE** (mise en marche/pause) pour commencer le séchage. L'afficheur indiquera alternativement DURÉE et TEMPÉRATURE pendant la période de séchage. **Pour effectuer une PAUSE afin de vérifier les aliments** : Appuyer sur le bouton **START/PAUSE** (mise en marche/pause) pour interrompre le séchage. L'afficheur indiquera « PA » (pause). Appuyer à nouveau sur **START/PAUSE** (mise en marche/pause) pour poursuivre le séchage. **Pour RÉINITIALISER** : Appuyer et maintenir le bouton **START/PAUSE** (mise en marche/pause) enfoncé pendant 2 secondes. Les chiffres « 00 » clignoteront à l'afficheur. Pour poursuivre le séchage, appuyer sur le bouton **TIME/TEMP** (durée/température) pour modifier la durée et la température. **Pour ARRÊTER le clignotement des chiffres « 00 »** : Appuyer et maintenir le bouton **START/PAUSE** (mise en marche/pause) enfoncé à nouveau pendant 2 secondes de plus. Les chiffres « 00 » seront affichés, mais ne clignoteront plus. Débrancher l'appareil dès que le séchage est terminé.



Si le séchage est terminé avant la durée programmée, mettre l'appareil en PAUSE ou l'ÉTEINDRE puis débrancher l'appareil. Laisser refroidir complètement les aliments sur les plateaux ou les grilles avant de les stocker.



# Conseils pour l'innocuité des aliments

- Pour préserver l'innocuité des aliments et assurer la destruction de toutes bactéries, choisir le prétraitement ou le post-traitement ci-dessous :
    - **Prétraitement des viandes avant la déshydratation** – Chauffer le four à 177 °C (350 °F). Vider et jeter la marinade utilisée pour la viande. Éponger avec des serviettes de papier et disposer la viande en une seule couche sur une plaque à biscuits en laissant un espace autour de chaque morceau. Cuire 5 à 10 minutes ou jusqu'à ce que la température interne atteigne 74 °C (165 °F). La température de la volaille doit atteindre 74 °C (165 °F).  
**REMARQUE** : Cette méthode peut réduire la durée de séchage et produire une texture plus sèche.
    - **Post-traitement des viandes après la déshydratation** – Chauffer le four à 135 °C (275 °F). Chemiser une grande plaque à biscuits avec du papier aluminium. Déposer les morceaux de bœuf séché en une seule couche et en laissant un petit espace autour de chaque morceau. Cuire pendant 10 à 12 minutes. Laisser refroidir complètement sur une grille. Éponger le bœuf séché avec des serviettes en papier pour éliminer tout le gras en surface avant de le stocker.
  - Les viandes marinées rehaussent la saveur et la texture du bœuf séché. Ne pas faire mariner la viande plus longtemps que la durée suggérée par la recette ou sur l'emballage.
- CONSEIL** : Le post-traitement des viandes après la déshydratation aide à obtenir une meilleure texture du bœuf séché. Essayer chaque traitement afin de déterminer la texture de bœuf séché préférée.
- Visiter le site [www.usda.gov](http://www.usda.gov) pour toutes questions au sujet des viandes et de l'innocuité des aliments.
  - Ne jamais déshydrater des viandes avec des fruits et des légumes pour éviter la contamination croisée des aliments. La température de séchage des viandes est différente de celle des fruits ou des légumes.
  - Tous les aliments déshydratés doivent refroidir complètement avant de les stocker.
  - Pour assurer l'innocuité, exécuter la procédure complète de déshydratation des aliments. Ne pas interrompre et arrêter le cycle pendant plus de 5 minutes. Faire une pause pendant le cycle pour vérifier l'état de sécheresse des aliments ou pour retirer les morceaux déshydratés.
  - Étiqueter et dater tous les contenants d'aliments séchés.

# Déshydratation des fruits et des légumes

## A. Préparation des aliments

- Toujours se laver les mains avant de commencer la préparation des aliments.
- Laver tous les fruits et les légumes avant la préparation.
- Choisir les fruits et les légumes saisonniers pour obtenir une saveur plus riche.
- Ne pas prendre aucun fruit ou légume abimé ou moisi.
- Couper les aliments à la même épaisseur, dimension ou forme avant le séchage pour assurer un séchage uniforme.
- Certains aliments comme l'ail, les oignons, le chou-fleur et le brocoli dégagent une forte odeur pendant le séchage.

## B. Prétraitement

- Certains fruits et légumes nécessitent un prétraitement avant le séchage. Blanchir ou ajouter des agents de préservation de couleur afin de préserver la couleur naturelle.

### Comment blanchir (voir \*B aux pages 28 et 29)

Il est recommandé de blanchir certains légumes afin d'en préserver la couleur et la saveur pendant le séchage et le stockage. Blanchir les fruits ou légumes permet de briser les pelures de certains fruits et de réduire la durée de séchage.

- Porter un grand chaudron rempli d'eau froide à ébullition.
- Mettre les fruits ou les légumes lavés dans un tamis équipé d'une poignée.
- Plonger le tamis dans l'eau bouillante selon la durée recommandée.
- S'assurer que tous les fruits ou légumes sont recouverts d'eau afin de blanchir uniformément.
- Dès que les fruits ou légumes sont blanchis, les plonger dans un grand bol rempli d'eau glacée pour arrêter l'échaudage.
- Égoutter et éponger complètement les fruits ou les légumes avant de les déshydrater.

## Comment conserver la couleur (voir \*C à la page 28)

Certains fruits et pommes de terre peuvent se décolorer pendant le cycle de séchage. Suivre ces étapes afin de conserver la couleur :

- Préparer une solution de quantité égale de jus de citron et d'eau.
- Plonger les morceaux dans la solution puis égoutter.
- Avec l'utilisation d'un agent de conservation pour fruits commercial, respecter les instructions sur l'emballage.

## C. Détermination de l'état de séchage

- Plusieurs facteurs peuvent influencer la durée de séchage, y compris de taux d'humidité, le type et la quantité d'aliments, la forme et l'uniformité des tranches d'aliments, la température ambiante, l'humidité et les préférences personnelles de texture des aliments.
- Les tableaux de séchage sont un guide. Les durées de séchage et les températures varient selon les types d'aliments. Commencer à vérifier les aliments à la durée minimum recommandée au tableau. Choisir un aliment semblable si l'aliment à sécher n'est pas indiqué au tableau.
- Combiner tous les aliments résiduels dans les plateaux supérieurs afin de vérifier plus facilement l'état de séchage.
- Vérifier l'état de séchage de tous les plateaux à la durée minimum recommandée au tableau.
  - Tous les fruits doivent pouvoir se plier et être légèrement mous, mais sans être gluants, sauf pour les pommes et les bananes qui doivent être croustillantes.
  - Tous les légumes doivent être croustillants et se briser facilement.

# Déshydratation des fruits et des légumes (suite)

## D. Séchage des rouleaux de fruits

- Les rouleaux de fruits peuvent être faits avec des fruits frais pelés, dénoyautés et en purée, des fruits en conserve bien égouttés et réduit en purée, des fruits congelés décongelés, égouttés et en réduit en purée ou avec des compotes de pommes commerciales.
- Les fruits ayant un taux élevé de pectine (pommes, abricots, bleuets, raisins, pêches, poires, ananas et prunes) auront une texture semblable au cuir.
- Les fruits ayant peu de pectine (raisins, citrons, limettes, oranges, framboises et fraises) combinés à un fruit ayant un taux de pectine plus élevé facilitera le démoulage du rouleau de fruits.
- Vaporiser légèrement le tapis pour rouleau de fruits avec un enduit à cuisson antiadhésif ou d'une mince couche d'huile végétale avant d'y ajouter les fruits en purée.
- Étendre uniformément environ 3/4 à 1 tasse (177 à 237 ml) de purée sur le tapis pour rouleau de fruits préparé à une épaisseur d'environ 1/4 po (0,6 cm).
- Mettre le tapis pour rouleau de fruits sur l'un des deux plateaux supérieurs pour faire sécher.
- Vérifier l'état de séchage des rouleaux de fruits 4 heures après la mise en marche.
- Les rouleaux de fruits séchés doivent être légèrement collants.
- Toujours laisser refroidir les rouleaux de fruits pendant 15 minutes avant des les démouler.
- Le rouleau de fruits doit être légèrement chaud afin de faciliter le démoulage du tapis
- Une fois roulé, laisser complètement refroidir avant de stocker dans un contenant hermétique.

# Stockage des aliments déshydratés

- Les aliments déshydratés doivent être complètement refroidis avant de les emballer.
- Les aliments séchés adéquatement doivent être stockés dans un contenant propre, sec et hermétique comme des sacs en plastique réutilisables, des contenants de plastique, des pots en verre avec couvercle étanche afin d'éviter la réhydratation des aliments.
- Stocker tous les emballages dans un endroit frais et sec.
- Les fruits séchés stockés à une température de 16 °C (60 °F) peuvent se conserver jusqu'à 1 an et les légumes stockés à une température de 16 °C (60 °F) peuvent se conserver jusqu'à 6 mois.
- Les rouleaux aux fruits stockés adéquatement à la température ambiante peuvent se conserver jusqu'à un 1 mois.
- Le bœuf séché a été séché, refroidi et emballé correctement se conserve jusqu'à 2 mois dans un contenant hermétique et stocké à la température ambiante.
- Le stockage dans des endroits plus chauds peut diminuer la durée de conservation. Stocker les aliments emballés au congélateur pour prolonger la durée de conservation.
- Une bonne pratique consiste à vérifier quotidiennement les aliments déshydratés. Faire sécher à nouveau les fruits et les légumes ramollis ou s'ils présentent des traces de condensation. Vérifier fréquemment pendant le nouveau séchage, car le cycle peut être plus court.
- Toujours vérifier l'état des aliments avant de les consommer. Jeter en cas de doute.

# Tableau de déshydratation pour les fruits à 60 °C (135 °F)

\*B = Blanchir

#C = Conservation de la couleur

(Consulter « Comment blanchir » et « Comment conserver la couleur » à la page 26)

Fruits	Préparation	Prétraitement/Durée	Durée de déshydratation**	Fruit à taux élevé en pectine
Pommes	Peler, trancher à 1/4 po (0,6 cm) d'épaisseur	#C	8 à 12 heures	Oui
Abricots	Dénoyauter, peler et trancher à 1/4 po (0,6 cm) d'épaisseur	#C	15 à 19 heures	Oui
Bananes	Trancher à 1/4 po (0,6 cm) d'épaisseur	#C	6 à 10 heures	Non
Bleuets	Entier	*B pendant 1 minute	14 à 18 heures	Oui
Cerises	Dénoyauter, couper en 2	–	22 à 26 heures	Non
Canneberges	Entier	*B pendant 1 minute	17 à 21 heures	Oui
Raisins, verts ou rouges, sans pépin	Couper en 2	–	19 à 23 heures	Oui
Kiwi	Trancher à 1/4 po (0,6 cm) d'épaisseur	–	8 à 12 heures	Oui
Citrons, limettes ou oranges	Trancher à 1/4 po (0,6 cm) d'épaisseur	–	17 à 21 heures	Non
Mangues	Peler, dénoyauter et trancher à 1/4 po (0,6 cm) d'épaisseur	–	13 à 17 heures	Non
Nectarines	Peler, dénoyauter et trancher à 1/4 po (0,6 cm) d'épaisseur	#C	11 à 15 heures	Oui
Pêches	Peler, trancher à 1/4 po (0,6 cm) d'épaisseur	#C	11 à 15 heures	Oui
Poires	Peler, trancher à 1/4 po (0,6 cm) d'épaisseur	#C	10 à 14 heures	Oui
Ananas	Peler, dénoyauter et trancher à 1/4 po (0,6 cm) d'épaisseur	–	12 à 16 heures	Oui
Prunes	Dénoyauter, couper en 8	–	23 à 27 heures	Oui
Fraises	Trancher à 1/4 po (0,6 cm) d'épaisseur	–	6 à 10 heures	Non

\*\*Les durées peuvent varier selon la maturité des fruits et la quantité sur le plateau. Consulter « Déshydratation des fruits et des légumes » aux pages 26 et 27.

28

## Tableau de déshydratation des légumes à 55 °C (125 °F)

\*B = Blanchir (Consulter « Comment blanchir » à la page 26)

Légumes	Préparation	Prétraitement/Durée	Durée de déshydratation**
Poivrons	Trancher à 1/4 po (0,6 cm) d'épaisseur	–	9 à 13 heures
Brocoli	Petites fleurettes	*B pendant 2 minutes	9 à 13 heures
Carottes	Trancher en diagonale à 1/4 po (0,6 cm) d'épaisseur	*B pendant 2 minutes	11 à 15 heures
Choufleur	Petites fleurettes	*B pendant 2 minutes	8 à 12 heures
Céleri	Trancher en diagonale à 1/4 po (0,6 cm) d'épaisseur	–	5 à 9 heures
Tomates raisins	Couper en 2	–	13 à 17 heures
Haricots verts	Trancher à 1/4 po (0,6 cm) d'épaisseur	*B pendant 2 minutes	12 à 16 heures
Champignons	Trancher à 1/4 po (0,6 cm) d'épaisseur	–	8 à 12 heures
Oignons	Trancher à 1/4 po (0,6 cm) d'épaisseur	–	14 à 18 heures
Courge jaune ou courgettes	Trancher à 1/4 po (0,6 cm) d'épaisseur	–	7 à 11 heures
Tomates	Trancher à 1/4 po (0,6 cm) d'épaisseur	–	10 à 13 heures

\*\*Les durées peuvent varier selon la teneur en eau des légumes.

# Déshydratation des herbes fraîches

- Les grandes feuilles de certaines herbes, comme le basilic, la menthe, la sauge et l'oseille, doivent être détachées de la tige avant le séchage.
- Les herbes, comme la coriandre, l'aneth, le persil et le romarin, doivent être séchées avec les tiges pour faciliter le retrait après le séchage.
- Toujours rincer les herbes à l'eau froide et d'éliminer délicatement l'eau résiduelle avec une essoreuse à salade ou des serviettes de papier. Les herbes doivent être complètement sèches avant de commencer la déshydratation.
- Les petites herbes doivent être placées sur le tamis à mailles pour obtenir un séchage optimal.
- Les herbes sèchent plus rapidement que les fruits, les légumes et les viandes marinées.
- Les herbes s'émiettent facilement une fois séchées.
- Les herbes doivent complètement refroidir avant de les stocker dans un contenant hermétique.

## Tableau de déshydratation des herbes à 40 °C (100 °F)

Herbes fraîches	Durée de déshydratation**
Basilic	4 à 6 heures
Ciboulette	5 à 7 heures
Coriandre	4 à 6 heures
Menthe	5 à 7 heures
Persil	4 à 6 heures
Romarin	5 à 7 heures

\*\*Les durées peuvent varier selon la teneur en eau des herbes.

# Déshydratation du bœuf

- Se laver les mains à l'eau chaude savonneuse avant de préparer les tranches de bœuf.
- Choisir des coupes de viande maigre pour préparer le bœuf séché.
- Enlever tout le gras de la viande avant de la mariner.
- Envelopper la viande dans une pellicule plastique et congeler pendant au moins une heure pour la trancher plus facilement avant de la mariner.
- Mariner dans un sac en plastique épais réutilisable ou un plat en verre. Ne pas utiliser de plat métallique pour mariner pour éviter de modifier la saveur et une réaction possible de la marinade avec le plat métallique.
- Toujours mariner la viande pour bœuf séché au réfrigérateur. Égoutter et jeter la marinade avant de commencer le séchage.
- Faire sécher la viande selon la recette ou suivre la préparation pour bœuf séché selon les instructions d'emballage.
- Vérifier l'état du bœuf séché après 4 heures et chaque 30 minutes suivante.
- Le bœuf séché sera sec lorsqu'il pourra être plié sans se casser.
- Éponger le bœuf séché avec une serviette de papier pour éliminer tout le gras de surface et laisser complètement refroidir avant de stocker dans un contenant hermétique.
- Le bœuf séché, refroidi et stocké correctement peut se conserver jusqu'à 2 mois dans un contenant hermétique et à la température ambiante.
- Toujours trancher la viande en sens contraire du grain pour obtenir des morceaux plus tendres.
- Les tranches de viande ne doivent pas être plus épaisses que 1/4 po (0,6 cm), 4 po (10,2 cm) de longueur et 2 po (5,1 cm) de largeur.
- Ne jamais mariner la viande à la température ambiante. Toujours mettre la viande à mariner au réfrigérateur.
- Toujours suivre les instructions de la recette.
- Étiqueter et dater tous les contenants de bœuf séché.

**REMARQUE** : Pour préserver l'innocuité des aliments et assurer la destruction de toutes bactéries, choisir le prétraitement ou le post-traitement ci-dessous :

- **Prétraitement des viandes avant la déshydratation** – Chauffer le four à 177 °C (350 °F). Vider et jeter la marinade utilisée pour la viande. Éponger avec des serviettes de papier et disposer la viande en une seule couche sur une plaque à biscuits en laissant un espace autour de chaque morceau. Cuire 5 à 10 minutes ou jusqu'à ce que la température interne atteigne 72 °C (160 °F). La température de la volaille doit atteindre 74 °C (165 °F). **REMARQUE** : Cette méthode peut réduire la durée de séchage et produire une texture plus sèche.
- **Post-traitement des viandes après la déshydratation** – Chauffer le four à 135 °C (275 °F). Chemiser une grande plaque à biscuits avec du papier aluminium. Déposer les morceaux de bœuf séché en une seule couche et en laissant un petit espace autour de chaque morceau. Cuire pendant 10 à 12 minutes. Laisser refroidir complètement sur une grille. Éponger le bœuf séché avec des serviettes en papier pour éliminer tout le gras en surface avant de stocker.

# Recettes

## Bœuf séché au whisky

### Ingrédients :

- 2 lb (907 g) de bœuf, haut de ronde
- 2 tasses (473 ml) de racinette
- 1 tasse (237 ml) de whisky
- 1/2 tasse (118 ml) de mélasse
- 1/2 tasse (118 ml) de cassonade
- 1/2 tasse (118 ml) de sauce soya
- 2 c. à table (30 ml) de fumée liquide
- 1 c. à table (15 ml) de poudre d'ail
- 1 c. à table (15 ml) d'assaisonnement au chili

### Instructions :

1. Mettre le bœuf dans un sac en plastique réutilisable pour congélateur et congeler pendant 1 heure ou jusqu'à ce qu'il soit suffisamment ferme pour le trancher facilement.
2. Dans un bol de grandeur moyenne, mélanger les autres ingrédients jusqu'à ce que la cassonade soit entièrement dissoute.
3. Retirer le bœuf du congélateur et trancher dans le sens contraire au grain à 1/4 po (0,6 cm) d'épaisseur.
4. Ajouter le bœuf et la marinade dans le sac en s'assurant que la viande est entièrement enrobée avec la marinade.
5. Fermer le sac et mettre au réfrigérateur de 8 à 12 heures.
6. Égoutter et jeter la marinade. Éponger toutes les tranches de bœuf avec des serviettes en papier.
7. Placer les tranches de bœuf en une seule couche dans le premier plateau en laissant un espace autour de chaque morceau pour assurer un séchage adéquat. Remplir les plateaux avec le reste des tranches de bœuf.
8. Empiler les plateaux sur la base en plaçant le plateau supérieur en dernier.
9. Régler le déshydrateur à 70 °C (160 °F) pendant 4 à 8 heures. Commencer à vérifier l'état de séchage du bœuf après 4 heures et toutes les 30 minutes suivantes. Le bœuf est séché lorsqu'il peut être plié et que les extrémités sont fissurées sans toutefois que la tranche se brise.
10. Chauffer le four à 135 °C (275 °F).
11. Chemiser une plaque à biscuits avec du papier aluminium. Déposer le bœuf séché en une seule couche en laissant un petit espace autour de chaque tranche.
12. Cuire pendant 10 à 12 minutes. Laisser complètement refroidir sur une grille. Éponger avec des serviettes en papier avant de stocker dans un plat hermétique.

**Donne environ 1 lb (454 g)**



# Recettes (suite)

## Bœuf séché à la cajun

### Ingrédients :

- 3 lb (1,4 kg) de bœuf, haut de ronde
- 3/4 tasse (177 ml) de sauce Worcestershire
- 1/2 tasse (118 ml) d'eau
- 1/2 tasse (118 ml) sauce soya
- 1/3 tasse (79 ml) de sauce teriyaki
- 1 c. à table (15 ml) de poudre d'oignon
- 1 c. à table (15 ml) d'assaisonnement Old Bay<sup>MD</sup>
- 1 c. à table (15 ml) de fumée liquide
- 2 c. à thé (10 ml) d'assaisonnement à la cajun
- 1 c. à thé (5 ml) de graines de céleri

### Instructions :

1. Mettre le bœuf dans un sac en plastique réutilisable pour congélateur et congeler pendant 1 heure ou jusqu'à ce qu'il soit suffisamment ferme pour le trancher facilement.
2. Dans un bol de grandeur moyenne, mélanger les autres ingrédients.
3. Retirer le bœuf du congélateur et trancher dans le sens contraire au grain à 0,6 cm (1/4 po) d'épaisseur.
4. Diviser le bœuf et la marinade en 2 sacs en s'assurant que la viande est entièrement enrobée avec la marinade.
5. Fermer le sac et mettre au réfrigérateur de 8 à 12 heures.
6. Égoutter et jeter la marinade. Éponger toutes les tranches de bœuf avec des serviettes en papier.
7. Placer les tranches de bœuf en une seule couche dans le premier plateau en laissant un espace autour de chaque morceau pour assurer un séchage adéquat. Remplir les plateaux avec le reste des tranches de bœuf.
8. Empiler les plateaux sur la base en plaçant le plateau supérieur en dernier.
9. Régler le déshydrateur à 70 °C (160 °F) pendant 4 à 8 heures. Commencer à vérifier l'état de séchage du bœuf après 4 heures et toutes les 30 minutes suivantes. Le bœuf est séché lorsqu'il peut être plié et que les extrémités sont fissurées sans toutefois que la tranche se brise.
10. Chauffer le four à 135 °C (275 °F).
11. Chemiser une plaque à biscuits avec du papier aluminium. Déposer le bœuf séché en une seule couche en laissant un petit espace autour de chaque tranche.
12. Cuire pendant 10 à 12 minutes. Laisser complètement refroidir sur une grille. Éponger avec des serviettes en papier avant de stocker dans un plat hermétique.

**Donne environ 1 1/2 lb (680 g)**

# Recettes (suite)

## Bœuf séché teriyaki

### Ingrédients :

- 2 lb (907 g) de bœuf, flanc
- 2 tasses (473 ml) de jus d'ananas
- 1 bouteille de 15 oz (444 ml) de sauce soya
- 1 1/2 tasse (355 ml) de cassonade blonde tassée
- 1 tasse (237 ml) de vinaigre de riz
- 6 grosses gousses d'ail, coupées en 2
- 2 petits piments rouges séchés, coupés en 2

### Instructions :

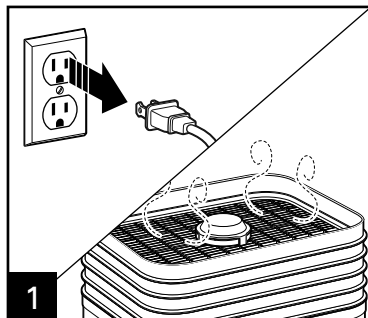
1. Mettre le bœuf dans un sac en plastique réutilisable pour congélateur et congeler pendant 1 heure ou jusqu'à ce qu'il soit suffisamment ferme pour le trancher facilement.
2. Dans un bol de grandeur moyenne, mélanger les autres ingrédients jusqu'à ce que la cassonade soit entièrement dissoute.
3. Retirer le bœuf du congélateur et trancher dans le sens contraire au grain à 1/4 po (0,6 cm) d'épaisseur.
4. Diviser le bœuf et la marinade en 2 sacs en s'assurant que la viande est entièrement enrobée avec la marinade.
5. Fermer le sac et mettre au réfrigérateur de 8 à 12 heures.
6. Égoutter et jeter la marinade. Éponger toutes les tranches de bœuf avec des serviettes en papier.
7. Placer les tranches de bœuf en une seule couche dans le premier plateau en laissant un espace autour de chaque morceau pour assurer un séchage adéquat. Remplir les plateaux avec le reste des tranches de bœuf.
8. Empiler les plateaux sur la base en plaçant le plateau supérieur en dernier.
9. Régler le déshydrateur à 70 °C (160 °F) pendant 4 à 8 heures. Commencer à vérifier l'état de séchage du bœuf après 4 heures et toutes les 30 minutes suivantes. Le bœuf est séché lorsqu'il peut être plié et que les extrémités sont fissurées sans toutefois que la tranche se brise.
10. Chauffer le four à 135 °C (275 °F).
11. Chemiser une plaque à biscuits avec du papier aluminium. Déposer le bœuf séché en une seule couche en laissant un petit espace autour de chaque tranche.
12. Cuire pendant 10 à 12 minutes. Laisser complètement refroidir sur une grille. Éponger avec des serviettes en papier avant de stocker dans un plat hermétique.

**Donne environ 1 lb (454 g)**

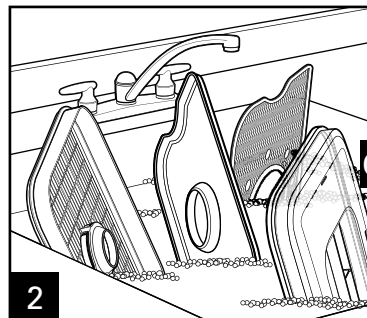
# Entretien et nettoyage

**⚠ AVERTISSEMENT** Risque d'électrocution :

Débrancher de la source d'alimentation avant de nettoyer. Ne pas immerger le cordon, la fiche ou la base dans l'eau ou tout autre liquide.

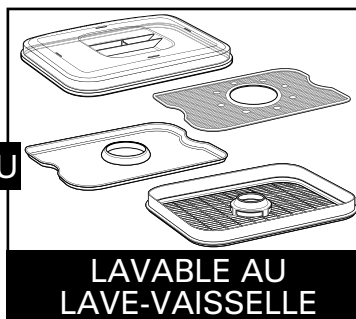


**1** Débrancher l'appareil dès la fin du séchage. Laisser refroidir.



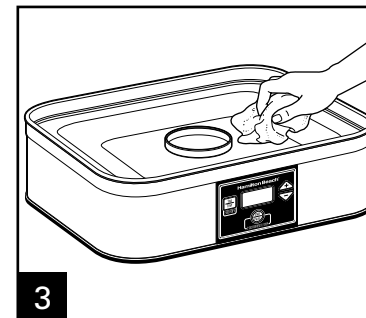
**2** Laver dans l'eau tiède savonneuse.

OU



**LAVABLE AU  
LAVE-VAISSELLE**

NE PAS utiliser le réglage "SANI" du lave-vaisselle. Les températures du cycle "SANI" peuvent endommager le produit.



**3** Essuyer la base avec un linge humide et savonneux.

# Dépannage

## PROBLÈME

## CAUSE POSSIBLE/SOLUTION

Les aliments ne sèchent pas.

- La coupe des aliments est trop épaisse ou présence de pelures. Suivre les recommandations des tableaux aux pages 28, 29 ou 30 ou respecter la recette.
- Trop d'aliments sur chaque plateau. Retirer quelques aliments et augmenter la durée de séchage.

Séchage inégal des aliments.

- Les aliments doivent être coupés uniformément.
- Les morceaux d'aliments inégaux peuvent rouler pendant le cycle de séchage.

Les fruits ou les légumes ramollissent pendant le stockage.

- Les aliments n'ont pas été suffisamment épongés. Faire sécher plus longtemps pour éliminer l'excès d'humidité.

# Garantie limitée

Cette garantie s'applique aux produits achetés et utilisés aux É.-U. et au Canada. C'est la seule garantie expresse pour ce produit et est en lieu et place de tout autre garantie ou condition.

Ce produit est garanti contre tout défaut de matériaux et de main-d'oeuvre pour une période des cinq (5) ans à compter de la date d'achat d'origine au Canada et un (1) an à compter de la date d'achat d'origine aux É.-U. Au cours de cette période, votre seul recours est la réparation ou le remplacement de ce produit ou tout composant s'avérant défectueux, à notre gré, mais vous êtes responsable de tous les coûts liés à l'expédition du produit et le retour d'un produit ou d'un composant dans le cadre de cette garantie. Si le produit ou un composant n'est plus offert, nous le remplacerons par un produit similaire de valeur égale ou supérieure.

Cette garantie ne couvre pas le verre, les filtres, l'usure d'un usage normal, l'utilisation non conforme aux directives imprimées, ou des dommages au produit résultant d'un accident, modification, utilisation abusive ou incorrecte. Cette garantie s'applique seulement à l'acheteur original ou à la personne l'ayant reçu en cadeau. La présentation du reçu de vente d'origine comme preuve d'achat est nécessaire pour faire une réclamation au titre de cette garantie. Cette garantie s'annule si le produit est utilisé autrement que par une famille ou si l'appareil est soumis à toute tension ou forme d'onde différente des caractéristiques nominales précisées sur l'étiquette (par ex. : 120 V ~ 60 Hz).

Nous excluons toutes les réclamations au titre de cette garantie pour les dommages spéciaux, consécutifs et indirects causés par la violation de garantie expresse ou implicite. Toute responsabilité est limitée au prix d'achat. **Chaque garantie implicite, y compris toute garantie ou condition de qualité marchande ou d'adéquation à un usage particulier, est exonérée, sauf dans la mesure interdite par la loi, auquel cas la garantie ou condition est limitée à la durée de cette garantie écrite.** Cette garantie vous donne des droits légaux précis. Vous pouvez avoir d'autres droits qui varient selon l'endroit où vous habitez. Certaines provinces ne permettent pas les limitations sur les garanties implicites ou les dommages spéciaux ou indirects de telle sorte que les limitations ci-dessus ne s'appliquent peut-être pas à votre cas.

Ne pas retourner cet appareil au magasin lors d'une réclamation au titre de cette garantie. Téléphoner au 1.800.851.8900 aux É.-U. ou au 1.800.267.2826 au Canada ou visiter le site internet [www.hamiltonbeach.com](http://www.hamiltonbeach.com) aux É.-U. ou [www.hamiltonbeach.ca](http://www.hamiltonbeach.ca) au Canada. Pour un service plus rapide, trouvez le numéro de modèle, le type d'appareil et les numéros de série sur votre appareil.

## SALVAGUARDIAS IMPORTANTES

Cuando utilice artefactos eléctricos, siempre deben seguirse precauciones de seguridad básicas a fin de reducir el riesgo de incendio, descarga eléctrica, y/o lesiones a personas, incluyendo las siguientes:

1. Lea todas las instrucciones.
2. Este aparato no se destina para utilizarse por personas (incluyendo niños) cuyas capacidades físicas, sensoriales o mentales sean diferentes o estén reducidas, o carezcan de experiencia o conocimiento, a menos que dichas personas reciban una supervisión o capacitación para el funcionamiento del aparato por una persona responsable de su seguridad.
3. Se requiere de una estrecha supervisión cuando el aparato se use cerca de niños. Los niños deben supervisarse para asegurar que ellos no empleen los aparatos como juguete.
4. Verifique que el voltaje de su instalación corresponda con el del producto.
5. No toque las superficies calientes. Use las manijas o perillas.
6. Para protegerse contra un riesgo de descarga eléctrica no sumerja el cable, enchufe o base en agua u otro líquido.
7. Desconecte de la toma cuando no esté en uso y antes de limpiar. Deje enfriar antes de poner o quitar partes.
8. No opere ningún aparato que tenga un cable o enchufe dañado o después de un mal funcionamiento del aparato, o si se ha caído o dañado de cualquier manera. Llame a nuestro número gratuito de servicio al cliente para información sobre examinación, reparación o ajuste.
9. El uso de aditamentos de accesorio no recomendados por el fabricante del aparato puede causar lesiones.
10. No use en exteriores.
11. No deje que el cable cuelgue del borde de la mesa o cubierta, o que toque superficies calientes, incluyendo la estufa.
12. No coloque sobre o cerca de un quemador caliente de gas o eléctrico, o sobre un horno calentado.
13. Para desconectarlo, presione los botones de pausa o reconfigurar/detener del artefacto y luego quite el enchufe del tomacorriente.
14. No use el aparato para otro uso que no sea para el que fue hecho.

## ¡GUARDE ESTAS INSTRUCCIONES!

### Otra Información de Seguridad para el Cliente

**Este aparato ha sido diseñado solamente para uso doméstico.**

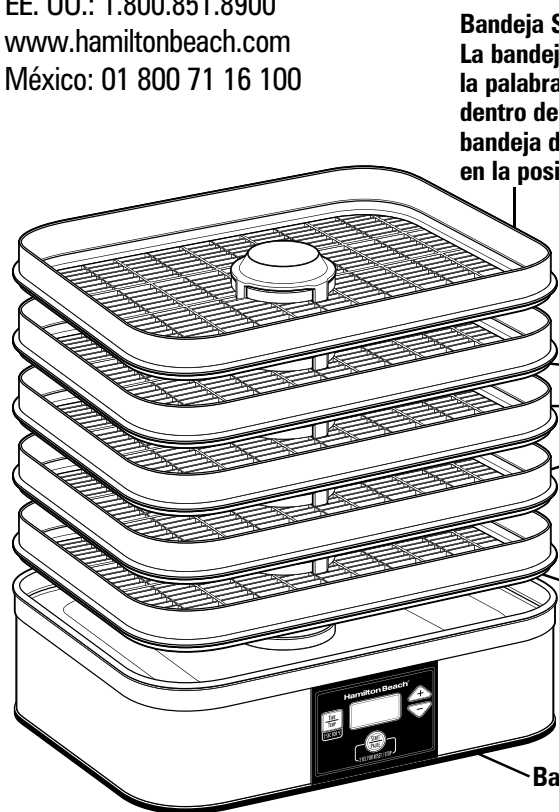
**▲ ADVERTENCIA Peligro de Descarga Eléctrica:** Este producto es provisto con un enchufe polarizado (una pata más ancha) para reducir el riesgo de una descarga eléctrica. El enchufe embona únicamente en una dirección dentro de un tomacorriente polarizado. No trate de obviar el propósito de seguridad del enchufe modificándolo de alguna manera o utilizando un adaptador. Si el enchufe no entra completamente en la toma, invierta el enchufe. Si aún no entra, haga que un electricista reemplace la toma.

El largo del cable que se usa en este aparato fue seleccionado para reducir el peligro de que alguien se enganche o tropiece con un cable más largo. Si es necesario usar un cable más largo, se podrá usar un cable de extensión aprobado. La clasificación eléctrica nominal del cable de extensión debe ser igual o mayor que la clasificación nominal del aparato. Es importante tener cuidado de colocar el cable de extensión para que no se pliegue sobre el mostrador o la mesera en donde niños puedan tirar del mismo o tropezarse accidentalmente.

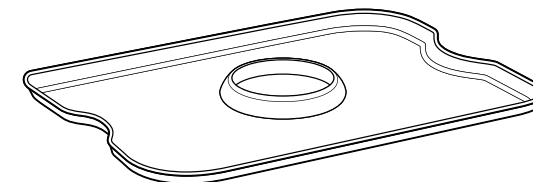
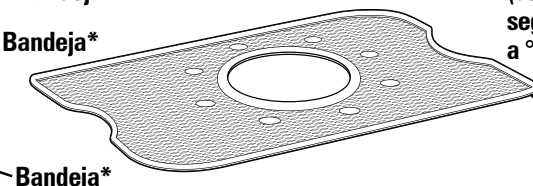
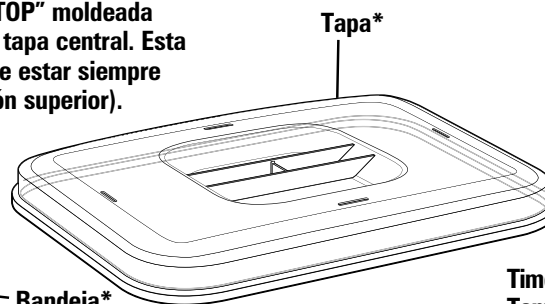
Para evitar una sobrecarga eléctrica del circuito, no use otro aparato de alto voltaje en el mismo circuito con este aparato.

# Piezas y Características

\*Para ordenar partes:  
 EE. UU.: 1.800.851.8900  
 www.hamiltonbeach.com  
 México: 01 800 71 16 100



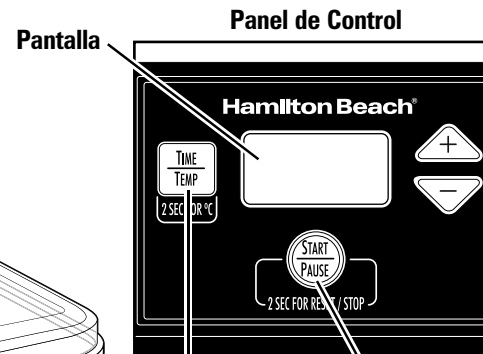
**Bandeja Superior\*** (Nota: La bandeja superior tiene la palabra "TOP" moldeada dentro de la tapa central. Esta bandeja debe estar siempre en la posición superior).



Bandeja\*  
 Bandeja\*  
 Bandeja\*  
 Bandeja\*

Base

**ANTES DEL PRIMER USO:** Lave todas las piezas desmontables en agua caliente jabonosa. Enjuague y seque.



**Time/Temp (Tiempo/ Temperatura)**  
 (sostenga por 2 segundos para cambiar a °C o para volver a °F)

**Start/Pause (Iniciar/Pausa)**  
 (sostenga por 2 segundos para RECONFIGURAR/ DETENER)

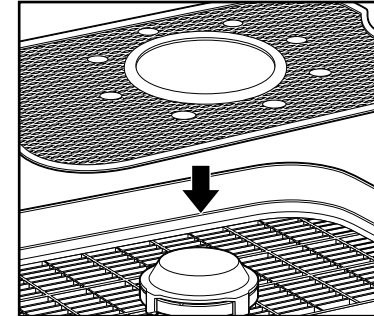
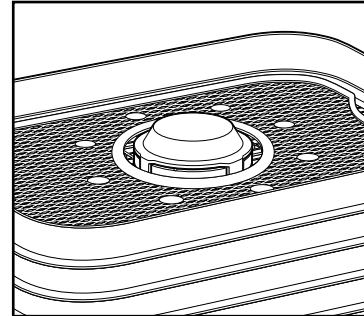
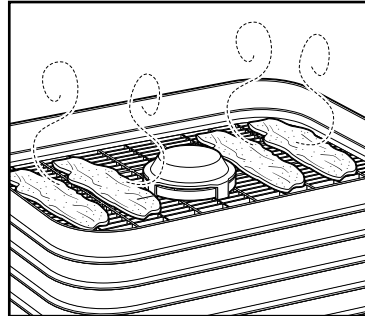
**Filtro de Malla\*** (Se utiliza con frutas y verduras pequeñas y hierbas para que no caigan a través de las bandejas mientras los alimentos se están deshidratando y encogiéndose)

**Bandeja para Rollos de Fruta\*** (Se utiliza solamente para preparar láminas o rollos de fruta)

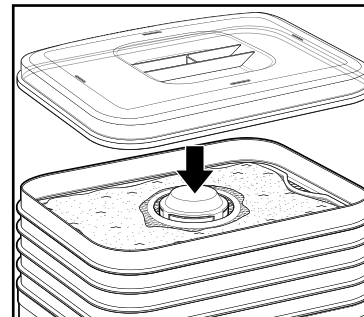
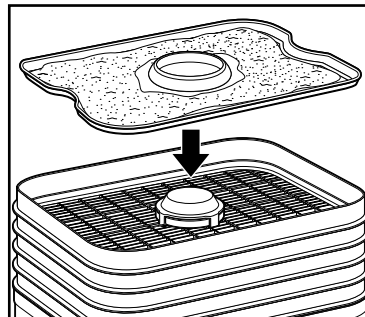
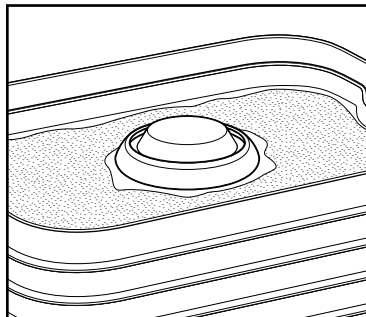
# Cómo Cargar las Bandejas y los Filtros

## Preparación del Deshidratador

- La bandeja superior siempre debe colocarse en la posición superior para lograr una deshidratación correcta.
- Las cinco bandejas deben usarse durante todos los procesos de deshidratación, aún si algunas se encuentran vacías.
- Es mejor deshidratar un tipo de alimento similar por vez; por ejemplo, todas frutas o todos vegetales.
- Siempre deje las bandejas en su lugar hasta que haya finalizado la deshidratación. Usted puede quitar los alimentos de las bandejas cuando estén deshidratados de manera aceptable.



Siempre coloque los alimentos en una sola capa en cada bandeja para lograr una deshidratación pareja. No superponga frutas, vegetales o carnes ni llene de más las bandejas. Utilice el filtro de malla para secar hierbas y pequeños trozos de frutas o vegetales. Si utiliza un filtro de malla, coloque el filtro en la bandeja antes de colocar los alimentos. Para mejores resultados, sólo utilice los filtros de malla en las dos bandejas superiores.



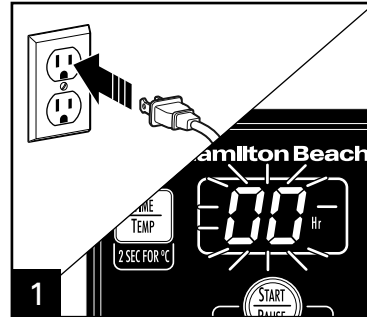
Utilice la bandeja para rollos de fruta para secar purés de frutas o vegetales. Si va a usar la bandeja para rollos de fruta, coloque la bandeja en la posición superior. Para mejores resultados, no utilice más de dos bandejas para rollos de fruta y colóquelas en las dos posiciones superiores. Siempre apile la bandeja superior por último, antes de la tapa, para lograr una correcta deshidratación.



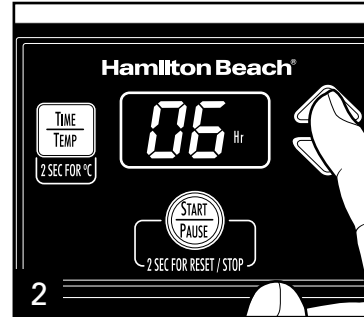
# Cómo Usar el Deshidratador

## NOTAS:

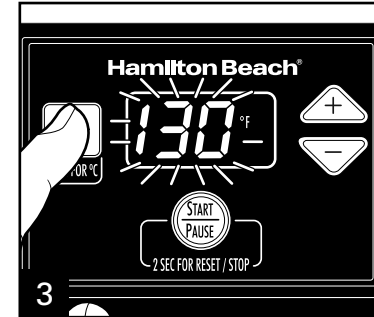
- Los alimentos deben almacenarse en un recipiente hermético una vez que se hayan enfriado adecuadamente.
- **Para iniciar (START), pausar (PAUSE), o reconfigurar (RESET):** Presione el botón **START/PAUSE** (iniciar/pausa).
- **Para Cambiar el Tiempo o la Temperatura Durante el Secado sin Accionar Pausa o Reconfigurar:** Presione el botón **TIME/TEMP** (tiempo/temperatura) una vez para el tiempo y dos veces para la temperatura. La última configuración comenzará a destellar. Utilice las flechas para ajustar. La unidad continuará la deshidratación automáticamente en la nueva configuración.



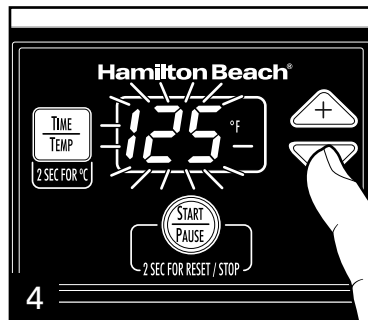
1 Enchufe la unidad. En la pantalla podrá verse el tiempo predeterminado "00".



2 Presione la flecha + para configurar el tiempo de secado. El tiempo de secado máximo es 48 horas, que puede configurarse en aumentos de unidades de 1 hora.

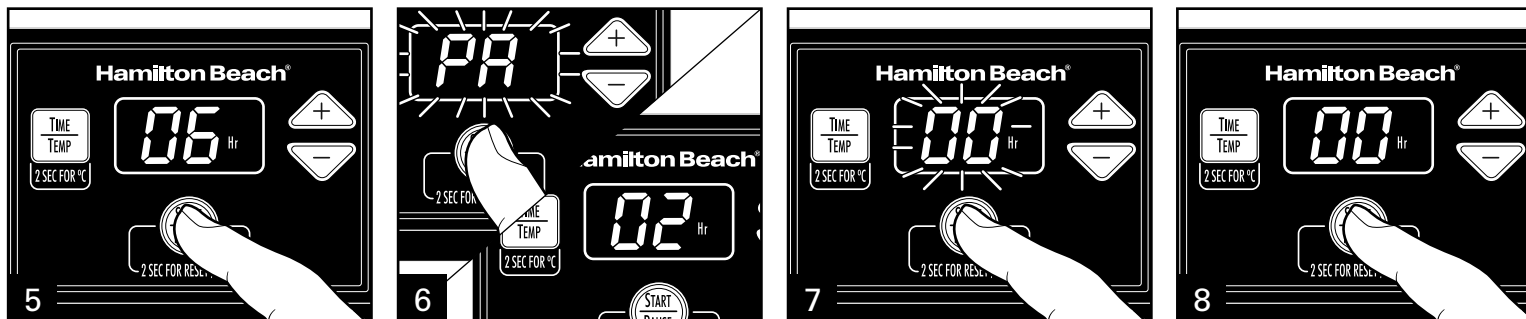


3 Presione el botón **TIME/TEMP** (tiempo/temperatura) para configurar la temperatura. En la pantalla podrá verse la temperatura predeterminada "130".

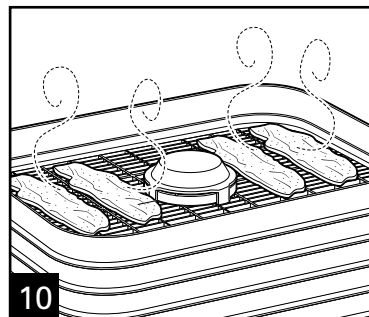
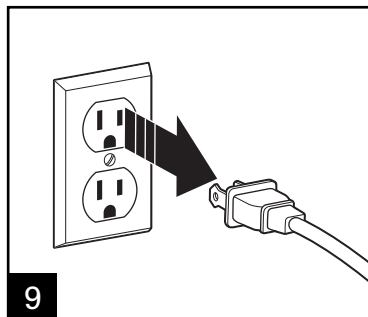


Presione la flecha + o - para configurar la temperatura de secado. Presione el botón **TIME/TEMP** (tiempo/temperatura) para ajustar la temperatura en grados Fahrenheit. Presione y sostenga el botón **TIME/TEMP** (tiempo/temperatura) por 2 segundos mientras se visualiza la temperatura para cambiar de °F a °C. La temperatura puede configurarse desde 100°F a 160°F en aumentos de temperatura en unidades de 5°. **NOTA:** La configuración predeterminada es en Fahrenheit. Si usted reconfigura la unidad o la desenchufa mientras está configurada en Celsius, ésta volverá a Fahrenheit.

# Cómo Usar el Deshidratador (cont.)



Presione el botón **START/PAUSE** (iniciar/pausa) para iniciar el secado. La pantalla mostrará el **TIEMPO** y la **TEMPERATURA** alternativamente durante el período de deshidratación. **Para Activar PAUSA para Controlar los Alimentos:** Presione el botón **START/PAUSE** (iniciar/pausa) y la unidad hará una pausa. En la pantalla se verá "PA". Presione el botón **START/PAUSE** (iniciar/pausa) de nuevo para reanudar el secado. **Para RECONFIGURAR:** Presione y sostenga el botón **START/PAUSE** (iniciar/pausa) por 2 segundos; "00" titilará en la pantalla. Para continuar con el secado, presione el botón **TIME/TEMP** (tiempo/temperatura) para configurar un nuevo tiempo y temperatura. **Para DETENER el "00" que Titila:** Presione y sostenga el botón **START/PAUSE** (iniciar/pausa) de nuevo por unos 2 segundos adicionales. "00" aparecerá en la pantalla pero no destellará. Si la deshidratación ha finalizado, desenchufe la unidad.



Si la deshidratación se ha completado antes de que finalice el tiempo programado, **PAUSE** o **DETENGA** la unidad y luego desenchúfela. Deje que los alimentos se enfríen por completo en bandejas o rejillas antes de almacenarlos.

42

# Consejos de Seguridad de los Alimentos

- Para seguridad de los alimentos, y garantizar que se destruya cualquier clase de bacteria presente, elija un tratamiento previo o tratamiento posterior de los incluidos a continuación:
    - **Tratamiento Previo de la Carne Antes de la Deshidratación** – Caliente el horno a 350°F (177°C). Escorra y descarte el adobo de la carne. Seque con toallas de papel dando golpecitos y coloque la carne en una sola capa, dejando un espacio alrededor de cada trozo sobre una bandeja para hornear. Hornee de 5 a 10 minutos o hasta que la temperatura interna alcance los 160°F (72°C). La carne de ave debe alcanzar los 165°F (74°C). **NOTA:** Este método puede reducir el tiempo de secado y puede obtenerse una textura más seca.
    - **Tratamiento Posterior de la Carne Después de la Deshidratación** – Caliente el horno a 275°F (135°C). Recubra una bandeja para hornear grande con papel de aluminio. Coloque la cecina en una sola capa, dejando un espacio pequeño alrededor de cada pieza. Hornee de 10 a 12 minutos. Enfríe por completo sobre una rejilla. Seque con toallas de papel dando golpecitos para quitar la grasa superficial antes de almacenar.
  - Adobar las carnes ayuda con el sabor y la textura de la cecina. No adobe las carnes por un período más prolongado del que señalan las instrucciones del paquete.
- CONSEJO:** El tratamiento posterior de la carne después de la deshidratación puede dar como resultado una textura de la cecina más deseable. Realice ambos tratamientos para determinar qué cecina la gusta más.

# Cómo Deshidratar Frutas y Vegetales

## A. Preparación de los Alimentos

- Siempre lávese las manos antes de comenzar la preparación de los alimentos.
- Lave todas las frutas y vegetales antes de comenzar la preparación.
- Elija las frutas y vegetales que se encuentren en su temporada para obtener un mejor sabor.
- Descarte las frutas y vegetales que tengan golpes u hongos.
- Corte los alimentos con el mismo grosor, tamaño o forma antes de secarlos para garantizar una deshidratación pareja.
- Algunos alimentos, tales como el ajo, las cebollas, la coliflor y el brócoli, tienen un olor fuerte cuando se secan.

## B. Tratamiento Previo

- Algunas frutas y vegetales requieren un tratamiento previo antes del secado. Blanquee o agregue protectores de color para preservar el color natural.

### Cómo Blanquear (ver \*B en las páginas 46 y 47)

Se recomienda blanquear algunos vegetales para ayudar a prevenir la pérdida de color y sabor durante el secado y el almacenamiento. El blanqueado se utiliza para romper la cáscara de algunas frutas y así acortar el proceso de deshidratación.

- Lleve al hervor constante una olla grande llena con agua.
- Coloque frutas o vegetales lavados en un colador con manija.
- Introduzca el colador dentro del agua hirviendo por el tiempo recomendado.
- Asegúrese de que todas las frutas o vegetales estén cubiertos con agua para un blanqueado parejo.
- Después de finalizado el blanqueado, colóquelas en un tazón grande lleno de agua helada para detener el proceso de blanqueado.
- Escurra y seque las frutas o vegetales dando golpecitos antes de deshidratarlos.

## Cómo Proteger el Color (ver #C en la página 46)

Algunas frutas y las papas puede decolorarse durante el proceso de secado. Para proteger el color, siga estos pasos.

- Prepare una solución de partes iguales de jugo de limón y agua.
- Coloque los trozos dentro de la solución; escurra.
- Si utiliza un conservante comercial para frutas, siga las instrucciones del paquete.

## C. Cómo Determinar el Nivel de Deshidratación

- Muchos factores influyen en el tiempo de secado, como el contenido de humedad, el tipo y cantidad de alimento, la forma y la uniformidad de las rodajas de los alimentos, la temperatura del aire, la humedad y su preferencia personal en cuanto a la textura de sus alimentos.
- Las tablas de secado son una guía. Los tiempos de secado y las temperaturas son diferentes para distintos tipos de alimentos; comience verificando los alimentos con el tiempo mínimo recomendado indicado en la tabla. Si el alimento no está listado en la tabla, elija uno similar.
- Coloque los alimentos restantes en las bandejas superiores para que sea más fácil verificar el nivel de deshidratación.
- Verifique el nivel de cocción de todas las bandejas cuando haya alcanzado el tiempo mínimo recomendado en la tabla.
  - Todas las frutas deben poder doblarse y estar ligeramente blandas sin estar pegajosas, con excepción de las manzanas y las bananas que deben estar crujientes.
  - Todos los vegetales deben estar crujientes y deben quebrarse con facilidad.

# Cómo Deshidratar Frutas y Vegetales (cont.)

## D. Cómo Secar Rollos de Fruta

- Los rollos de fruta pueden prepararse con frutas frescas peladas y sin carozo hechas puré, fruta enlatada bien escurrida y hecha puré, fruta descongelada escurrida y hecha puré, o con salsa de manzana comprada.
- Las frutas que tienen un nivel más elevado de pectina (manzanas, damascos, arándanos, uvas, duraznos, peras, piñas y ciruelas) permiten preparar rollos de fruta de una textura similar al cuero.
- Cuando utilice frutas bajas en pectina (pomelo, limones, limas, naranjas, frambuesas y fresas), mézclelas con una fruta de pectina más elevada para obtener un rollo de fruta más fácil de pelar.
- Rocíe ligeramente la bandeja para rollos de fruta con aerosol para cocción antiadherente o pase un poco de aceite vegetal antes de agregar el puré de frutas.
- Esparza uniformemente 3/4 a 1 taza (177 ml a 237 ml) de puré sobre la bandeja preparada para rollos de fruta para formar un grosor de 1/4 de pulgada (0.6 cm).
- Coloque la bandeja para rollos de fruta en una de las dos bandejas superiores para comenzar la deshidratación.
- Se debe controlar el nivel de cocción de los rollos de fruta a partir de las 4 horas.
- Los rollos de fruta estarán ligeramente pegajosos cuando se sequen.
- Siempre retire el rollo de fruta de la bandeja después de que se enfríen por 15 minutos.
- El rollo de fruta debe estar ligeramente tibio para poder quitarse fácilmente de la bandeja para rollos de fruta.
- Una vez que se ha enrollado, enfríe por completo antes de almacenarlo en un recipiente hermético.

# Cómo Almacenar Alimentos Deshidratados

- Los alimentos deshidratados deben enfriarse por completo antes de almacenarse.
- Los alimentos secados adecuadamente deben almacenarse en un recipiente limpio, seco y hermético, como bolsas plásticas resellables, recipientes plásticos o frascos de vidrio para conservas con una tapa hermética, a fin de evitar que los alimentos se rehidraten.
- Guarde todos los recipientes en un lugar fresco y seco.
- Las frutas secas almacenadas a 60°F (16°C) se conservan hasta por 1 año, mientras que los vegetales almacenados a 60°F (16°C) pueden conservarse hasta 6 meses.
- Los rollos de fruta almacenados a temperatura ambiente pueden conservarse hasta 1 mes, si se almacenan correctamente.
- Si la cecina se ha secado, enfriado y guardado correctamente, puede almacenarse hasta 2 meses en un recipiente hermético a temperatura ambiente.
- Almacenar alimentos en lugares con temperaturas mayores acortará el tiempo de almacenamiento. Coloque los recipientes con alimentos en el congelador por un tiempo de almacenamiento más prolongado.
- Resulta una buena costumbre controlar los alimentos deshidratados en forma diaria. Vuelva a deshidratarlos si ve que las frutas o vegetales se ablandan o si tienen condensación. Controle los alimentos con frecuencia durante el secado adicional, ya que este proceso será mucho más corto.
- Siempre controle el estado de sus alimentos antes del consumo. Si tiene alguna duda, deséchelo.

# Tabla de Deshidratación para Frutas a 135°F (60°C)

\*B = Blanqueado

#C = Protector de Color

(ver "Cómo Blanquear" y "Cómo Proteger el Color" en la página 44)

Fruta	Cómo Preparar	Tratamiento Previo/Tiempo	Tiempo de Deshidratación**	Fruta de Pectina Elevada
Manzanas	Peladas, en rebanadas de un grosor de 1/4 pulgada (0.6 cm)	#C	8 a 12 horas	Sí
Damasco	Sin carozo, pelados y en rebanadas de un grosor de 1/4 pulgada (0.6 cm)	#C	15 a 19 horas	Sí
Bananas	En rebanadas de un grosor de 1/4 pulgada (0.6 cm)	#C	6 a 10 horas	No
Arándanos	Enteros	*B/1 minuto	14 a 18 horas	Sí
Cerezas	Sin carozo, en mitades	-	22 a 26 horas	No
Arándanos rojos	Enteros	*B/1 minuto	17 a 21 horas	Sí
Uvas sin semillas verdes o rojas	En mitades	-	19 a 23 horas	Sí
Kiwi	En rebanadas de un grosor de 1/4 pulgada (0.6 cm)	-	8 a 12 horas	Sí
Limonos, limas o naranjas	En rebanadas de un grosor de 1/4 pulgada (0.6 cm)	-	17 a 21 horas	No
Mangos	Pelados, sin carozo y en rebanadas de un grosor de 1/4 pulgada (0.6 cm)	-	13 a 17 horas	No
Pelones	Pelados, sin carozo y en rebanadas de un grosor de 1/4 pulgada (0.6 cm)	#C	11 a 15 horas	Sí
Duraznos	Peladas, en rebanadas de un grosor de 1/4 pulgada (0.6 cm)	#C	11 a 15 horas	Sí
Peras	Peladas, en rebanadas de un grosor de 1/4 pulgada (0.6 cm)	#C	10 a 14 horas	Sí
Piñas	Peladas, sin semillas y en rebanadas de un grosor de 1/4 pulgada (0.6 cm)	-	12 a 16 horas	Sí
Ciruelas	Sin carozo, rebanadas en octavos	-	23 a 27 horas	Sí
Fresas	En rebanadas de un grosor de 1/4 pulgada (0.6 cm)	-	6 a 10 horas	No

\*\*Los tiempos pueden variar dependiendo del nivel de madurez de las frutas y la cantidad por bandeja. Ver "Cómo Deshidratar Frutas y Vegetales" en las páginas 44 y 45.

46

## Tabla de Deshidratación para Vegetales a 125°F (55°C)

\*B = Blanqueado (Ver "Cómo Blanquear" en la página 44)

Vegetal	Cómo Preparar	Tratamiento Previo/ Tiempo	Tiempo de Deshidratación**
Pimientos	En rebanadas de un grosor de 1/4 pulgada (0.6 cm)	–	9 a 13 horas
Brócoli	Flores pequeñas	*B/2 minutos	9 a 13 horas
Zanahorias	Rebanadas en diagonal de un grosor de 1/4 pulgada (0.6 cm)	*B/2 minutos	11 a 15 horas
Coliflor	Flores pequeñas	*B/2 minutos	8 a 12 horas
Apio	Rebanadas en diagonal de un grosor de 1/4 pulgada (0.6 cm)	–	5 a 9 horas
Tomates Uva	En mitades	–	13 a 17 horas
Habichuelas	En rebanadas de un grosor de 1/4 pulgada (0.6 cm)	*B/2 minutos	12 a 16 horas
Hongos	En rebanadas de un grosor de 1/4 pulgada (0.6 cm)	–	8 a 12 horas
Cebollas	En rebanadas de un grosor de 1/4 pulgada (0.6 cm)	–	14 a 18 horas
Zapallo Amarillo o Zucchini	En rebanadas de un grosor de 1/4 pulgada (0.6 cm)	–	7 a 11 horas
Tomates	En rebanadas de un grosor de 1/4 pulgada (0.6 cm)	–	10 a 13 horas

\*\*Los tiempos pueden variar dependiendo del contenido de agua de los vegetales.

# Cómo Deshidratar Hierbas Frescas

- Las hojas de hierbas más grandes, tales como la albahaca, hojas de laurel, menta, salvia o acedera deben quitarse de los tallos antes del secado.
- Las hierbas tales como el cilantro, eneldo, perejil o romero deben mantenerse en el tallo para la deshidratación. Es más fácil quitar las hierbas después del secado.
- Siempre enjuague las hierbas con agua fría y quite con cuidado el agua restante con un centrifugador de ensalada o toallas de papel. Las hierbas deben estar completamente secas antes de comenzar la deshidratación.
- Las hierbas pequeñas deben colocarse en el filtro de malla para lograr un mejor secado.
- Las hierbas se secan más rápidamente en comparación con las frutas, vegetales y carnes adobadas.
- Las hierbas se desmenuzan fácilmente cuando están secas.
- Las hierbas deben enfriarse por completo antes de almacenarlas en un recipiente hermético.

## Tabla de Deshidratación para Hierbas a 100°F (40°C)

Hierba Fresca	Tiempo de Deshidratación**
Albahaca	4 a 6 horas
Cebolleta	5 a 7 horas
Cilantro	4 a 6 horas
Menta	5 a 7 horas
Perejil	4 a 6 horas
Romero	5 a 7 horas

\*\*Los tiempos pueden variar dependiendo del contenido de agua de las hierbas.



# Cómo Deshidratar Cecina

- Lávese las manos con agua tibia y jabón antes de preparar la cecina.
- Elija cortes de carne magros para la cecina.
- Recorte toda la grasa de la carne antes de adobarla.
- Envuelva la carne en un envoltorio plástico y congele por un mínimo de 1 hora para poder rebanarla más fácilmente antes del adobo.
- Adobe la carne en una bolsa plástica resellable con cierre muy resistente o en un plato de vidrio. No utilice un recipiente metálico para adobar, ya que genera un cambio en el sabor y una posible reacción del adobo respecto del metal del recipiente.
- Siempre adobe las carnes para la cecina en un refrigerador; escurra y elimine el adobo antes de deshidratar.
- Deshidrate la cecina de acuerdo con la receta o siga la preparación de la cecina de acuerdo con las instrucciones del paquete.
- Controle la cecina después de 4 horas y cada 30 minutos después de eso.
- La cecina está seca cuando se quiebra sin romperse cuando se dobla.
- Seque la cecina con una toalla de papel dando golpecitos para eliminar la grasa superficial y deje enfriar por completo antes de almacenarla en un recipiente hermético.
- Si la cecina se ha secado, enfriado y guardado correctamente, puede almacenarse hasta 2 meses en un recipiente hermético a temperatura ambiente.
- Siempre rebane las carnes contra la veta para lograr una cecina más tierna.
- Las rebanadas de carne no deben tener un grosor mayor a 1/4 pulgada (0.6 cm), 4 pulgadas (10.2 cm) de largo y 2 pulgadas (5.1 cm) de ancho.
- Nunca adobe la carne a temperatura ambiente. Siempre refrigere la carne cuando la esté adobando.
- Siempre siga las instrucciones de la receta.
- Etiquete y ponga fecha a todos los recipientes con cecina.

**NOTA:** Para seguridad de los alimentos, y garantizar que se destruya cualquier clase de bacteria presente, elija un tratamiento previo o tratamiento posterior de los incluidos a continuación:

- **Tratamiento Previo de la Carne Antes de la Deshidratación** – Caliente el horno a 350°F (177°C). Escurra y descarte el adobo de la carne. Seque con toallas de papel dando golpecitos y coloque la carne en una sola capa, dejando un espacio alrededor de cada trozo sobre una bandeja para hornear. Hornee de 5 a 10 minutos o hasta que la temperatura interna alcance los 160°F (72°C). La carne de ave debe alcanzar los 165°F (74°C).  
**NOTA:** Este método puede reducir el tiempo de secado y puede obtenerse una textura más seca.
- **Tratamiento Posterior de la Carne Después de la Deshidratación** – Caliente el horno a 275°F (135°C). Recubra una bandeja para hornear grande con papel de aluminio. Coloque la cecina en una sola capa, dejando un espacio pequeño alrededor de cada pieza. Hornee de 10 a 12 minutos. Enfríe por completo sobre una rejilla. Seque con toallas de papel dando golpecitos para quitar la grasa superficial antes de almacenar.

# Recetas

## Cecina de Carne de Res al Whiskey

### Ingredientes:

- 2 libras (907 g) de cuarto trasero superior
- 2 tazas (473 ml) de cerveza de raíz
- 1 taza (237 ml) de whiskey
- 1/2 taza (118 ml) de melaza
- 1/2 taza (118 ml) de azúcar moreno
- 1/2 taza (118 ml) de salsa de soya
- 2 cucharadas (30 ml) de humo líquido
- 1 cucharada (15 ml) de ajo en polvo
- 1 cucharada (15 ml) de chile en polvo

### Instrucciones:

1. Coloque la carne en una bolsa plástica resellable para congelador y congele por 1 hora o hasta que esté lo suficientemente firme para rebanarla fácilmente.
2. En un tazón mediano, mezcle los ingredientes restantes hasta que el azúcar moreno se disuelva.
3. Saque la carne del congelador y corte contra la veta en rebanadas de un ancho de 1/4 pulgada (0.6 cm).
4. Agregue la carne y el adobo a la bolsa, asegurándose de que la carne quede completamente cubierta con el adobo.
5. Cierre la bolsa y refrigere de 8 a 12 horas.
6. Escurra y descarte el adobo. Seque todas las rebanadas de carne con toallas de papel.
7. Coloque las rebanadas de carne en una sola capa en la primera bandeja, dejando un espacio alrededor de cada rebanada para lograr un secado adecuado. Llene las bandejas con las rebanadas de carne restantes.
8. Apile las bandejas en la base con la bandeja superior en último lugar.
9. Configure el deshidratador en 160°F (70°C) por 4 a 8 horas. Comience a controlar el nivel de cocción a las 4 horas y luego cada 30 minutos. La cecina está seca cuando se puede doblar y la parte superior se quiebra, pero la rebanada no se rompe.
10. Caliente el horno a 275°F (135°C).
11. Recubra una bandeja para hornear grande con papel de aluminio. Coloque la cecina en una sola capa, dejando un espacio pequeño alrededor de cada rebanada.
12. Hornee de 10 a 12 minutos. Enfríe por completo sobre una rejilla. Seque dando golpecitos con toallas de papel antes de almacenarla en un recipiente hermético.

**Rendimiento: Alrededor de 1 libra (454 g)**

# Recetas (cont.)

## Cecina de Carne de res Cajun

### Ingredientes:

3 libras (1.4 kg) de cuarto trasero superior  
3/4 taza (177 ml) de salsa Worcestershire  
1/2 taza (118 ml) de agua  
1/2 taza (118 ml) de salsa de soya  
1/3 taza (79 ml) de salsa teriyaki  
1 cucharada (15 ml) de cebolla en polvo  
1 cucharada (15 ml) de condimento Old Bay®  
1 cucharada (15 ml) de humo líquido  
2 cucharaditas (10 ml) de condimento Cajun  
1 cucharadita (5 ml) de semillas de apio

### Instrucciones:

1. Coloque la carne en una bolsa plástica resellable para congelador y congele por 1 hora o hasta que esté lo suficientemente firme para rebanarla fácilmente.
2. En un tazón mediano, mezcle los ingredientes restantes.
3. Saque la carne del congelador y corte contra la veta en rebanadas de un grosor de 1/4 pulgada (0.6 cm).
4. Divida la carne y el adobo en 2 bolsas, asegurándose de que la carne quede completamente cubierta con el adobo.
5. Cierre la bolsa y refrigere de 8 a 12 horas.
6. Escorra y descarte el adobo. Seque todas las rebanadas de carne con toallas de papel.
7. Coloque las rebanadas de carne en una sola capa en la primera bandeja, dejando un espacio alrededor de cada rebanada para lograr un secado adecuado. Llene las bandejas con las rebanadas de carne restantes.
8. Apile las bandejas en la base con la bandeja superior en último lugar.
9. Configure el deshidratador en 160°F (70°C) por 4 a 8 horas. Comience a controlar el nivel de cocción a las 4 horas y luego cada 30 minutos. La cecina está seca cuando se puede doblar y la parte superior se quiebra, pero la rebanada no se rompe.
10. Caliente el horno a 275°F (135°C).
11. Recubra una bandeja para hornear grande con papel de aluminio. Coloque la cecina en una sola capa, dejando un espacio pequeño alrededor de cada rebanada.
12. Hornee de 10 a 12 minutos. Enfríe por completo sobre una rejilla de alambre. Seque dando golpecitos con toallas de papel antes de almacenarla en un recipiente hermético.

**Rendimiento: Alrededor de 1 1/2 libras (680 g)**

# Recetas (cont.)

## Cecina de Carne de res Teriyaki

### Ingredientes:

- 2 libras (907 g) de entraña
- 2 tazas (473 ml) de jugo de piña
- 1 botella (15 onzas/444 ml) de salsa de soya
- 1 1/2 taza (355 ml) de azúcar moreno clara
- 1 taza (237 ml) de vinagre de arroz
- 6 dientes de ajo grandes en mitades
- 2 chiles rojos pequeños en mitades

### Instrucciones:

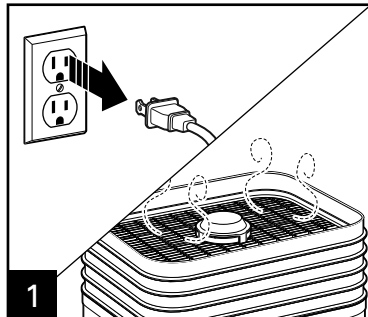
1. Coloque la carne en una bolsa plástica resellable para congelador y congele por 1 hora o hasta que esté lo suficientemente firme para rebanarla fácilmente.
2. En un tazón mediano, mezcle los ingredientes restantes hasta que el azúcar moreno se disuelva.
3. Saque la carne del congelador y corte contra la veta en rebanadas de un grosor de 1/4 pulgada (0.6 cm).
4. Agregue la carne y el adobo a la bolsa, asegurándose de que la carne quede completamente cubierta con el adobo.
5. Cierre la bolsa y refrigere de 8 a 12 horas.
6. Escorra y descarte el adobo. Seque todas las rebanadas de carne con toallas de papel dando golpecitos.
7. Coloque las rebanadas de carne en una sola capa en la primera bandeja, dejando un espacio alrededor de cada rebanada para lograr un secado adecuado. Llene las bandejas con las rebanadas de carne restantes.
8. Apile las bandejas en la base con la bandeja superior en último lugar.
9. Configure el deshidratador en 160°F (70°C) por 4 a 8 horas. Comience a controlar el nivel de cocción a las 4 horas y luego cada 30 minutos. La cecina está seca cuando se puede doblar y la parte superior se quiebra, pero la rebanada no se rompe.
10. Caliente el horno a 275°F (135°C).
11. Recubra una bandeja para hornear grande con papel de aluminio. Coloque la cecina en una sola capa, dejando un espacio pequeño alrededor de cada rebanada.
12. Hornee de 10 a 12 minutos. Enfríe por completo sobre una rejilla de alambre. Seque dando golpecitos con toallas de papel antes de almacenarla en un recipiente hermético.

**Rendimiento: Alrededor de 1 libra (454 g)**

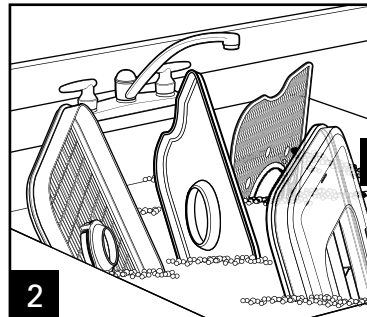
# Cuidado y Limpieza

**⚠ ADVERTENCIA Peligro de Descarga Eléctrica.**

Desconecte la energía antes de limpiar. No sumerja el cable, el enchufe o la base en agua o en otro líquido.



**1** Desenchufe la unidad cuando haya terminado de secar. Déjela enfriar.

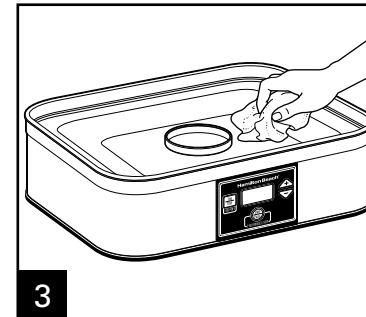


**2** Lave en agua tibia jabonosa.



**RESISTENTE AL LAVAVAJILLAS**

No utilice la configuración "SANI" cuando la lave en el lavavajillas. Las temperaturas del ciclo "SANI" pueden dañar su producto.



**3** Limpie la base con un paño jabonoso húmedo.

# Resolviendo Problemas

## PROBLEMA

Los alimentos no se deshidratan.

Los alimentos se secan en forma despareja.

Las frutas o los vegetales se ablandan durante el almacenamiento.

## CAUSA PROBABLE/SOLUCIÓN

- Los alimentos pueden ser muy gruesos o quizás se dejó la cáscara o la piel de los alimentos. Siga las recomendaciones de las tablas de las páginas 46, 47 o 48, o siga la receta.
- Demasiados alimentos en cada bandeja. Quite algunos alimentos y deshidrátelos por un período más prolongado.
- Los alimentos deben cortarse uniformemente.
- Los alimentos con piezas desparejas pueden girarse durante el proceso de secado.
- Se dejó demasiada humedad en los alimentos. Seque por más tiempo para quitar la humedad excesiva.



Grupo HB PS, S.A. de C.V.  
Monte Elbruz 124-301  
Colonia Palmitas, Delegación Miguel Hidalgo  
C.P. 11560, México, Distrito Federal  
01 800 71 16 100

**PÓLIZA DE GARANTÍA**

PRODUCTO:	MARCA:		MODELO:
-----------	--------	--	---------

Grupo HB PS, S.A. de C.V. cuenta con una Red de Centros de Servicio Autorizada, por favor consulte en la lista anexa el nombre y dirección de los establecimientos en la República Mexicana en donde usted podrá hacer efectiva la garantía, obtener partes, componentes, consumibles y accesorios; así como también obtener servicio para productos fuera de garantía. Para mayor información llame sin costo: **Centro de Atención al consumidor: 01 800 71 16 100**

Grupo HB PS, S.A. de C.V. le otorga a partir de la fecha de compra:  
**GARANTÍA DE 1 AÑO.**

**COBERTURA**

- Esta garantía ampara, todas las piezas y componentes del producto que resulten con defecto de fabricación incluyendo la mano de obra.
- Grupo HB PS, S.A. de C.V. se obliga a reemplazar, reparar o reponer, cualquier pieza o componente defectuoso; proporcionar la mano de obra necesaria para su diagnóstico y reparación, todo lo anterior sin costo adicional para el consumidor.
- Esta garantía incluye los gastos de transportación del producto que deriven de su cumplimiento dentro de su red de servicio.

**LIMITACIONES**

- Esta garantía no ampara el reemplazo de piezas deterioradas por uso o por desgaste normal, como son: cuchillas, vasos, jarras, filtros, etc.
- Grupo HB PS, S.A. de C.V. no se hace responsable por los accidentes producidos a consecuencia de una instalación eléctrica defectuosa, ausencia de toma de tierra, clavija de enchufe en mal estado, etc.

**EXCEPCIONES**

Esta garantía no será efectiva en los siguientes casos:  
a) Cuando el producto se hubiese utilizado en condiciones distintas a las normales. (Uso industrial, semi-industrial o comercial.)  
b) Cuando el producto no hubiese sido operado de acuerdo con el instructivo de uso.  
c) Cuando el producto hubiese sido alterado o reparado por personas no autorizadas por Grupo HB PS, S.A. de C.V. el fabricante nacional, importador o comercializador responsable respectivo.  
El consumidor puede solicitar que se haga efectiva la garantía ante la propia casa comercial donde adquirió su producto, siempre y cuando Grupo HB PS, S.A. de C.V. no cuente con talleres de servicio.

**PROCEDIMIENTO PARA HACER EFECTIVA LA GARANTÍA**

- Para hacer efectiva la garantía no deben exigirse mayores requisitos que la presentación del producto y la póliza correspondiente, debidamente sellada por el establecimiento que lo vendió.
- Para hacer efectiva la garantía, lleve su aparato al Centro de Servicio Autorizado más cercano a su domicilio (consulte la lista anexa).
- Si no existe Centro de Servicio Autorizado en su localidad llame a nuestro Centro de Atención al Consumidor para recibir instrucciones de como hacer efectiva su garantía.
- El tiempo de reparación, en ningún caso será mayor de 30 días naturales contados a partir de la fecha de recepción del producto en nuestros Centros de Servicio Autorizados.
- En caso de que el producto haya sido reparado o sometido a mantenimiento y el mismo presente deficiencias imputables al autor de la reparación o del mantenimiento dentro de los treinta días naturales posteriores a la entrega del producto al consumidor, éste tendrá derecho a que sea reparado o mantenido de nuevo sin costo alguno. Si el plazo de la garantía es superior a los treinta días naturales, se estará a dicho plazo.
- El tiempo que duren las reparaciones efectuadas al amparo de la garantía no es computable dentro del plazo de la misma. Cuando el bien haya sido reparado se iniciará la garantía respecto de las piezas repuestas y continuará con relación al resto. En el caso de reposición del bien deberá renovarse el plazo de la garantía.

FECHA DE ENTREGA	SELLO DEL VENDEDOR	QUEJAS Y SUGERENCIAS
DÍA__ MES__ AÑO__		Si desea hacer comentarios o sugerencias con respecto a nuestro servicio o tiene alguna queja derivada de la atención recibida en alguno de nuestros Centros de Servicio Autorizados, por favor dirigirse a: <b>GERENCIA INTERNACIONAL DE SERVICIO</b> 01 800 71 16 100 Email: <a href="mailto:mexico.service@hamiltonbeach.com.mx">mexico.service@hamiltonbeach.com.mx</a>

**RED DE CENTROS DE SERVICIO AUTORIZADA GRUPO HB PS, S.A. DE C.V.**

**Distrito Federal**

**ELECTRODOMÉSTICOS**  
 Av. Plutarco Elías Calles No. 1499  
 Zacahuitzco MEXICO 09490 D.F.  
 Tel: 01 55 5235 2323 • Fax: 01 55 5243 1397

**CASA GARCIA**  
 Av. Patriotismo No. 875-B  
 Mixcoac MEXICO 03910 D.F.  
 Tel: 01 55 5563 8723 • Fax: 01 55 5615 1856

**Nuevo Leon**

**FERNANDO SEPULVEDA REFACCIONES**  
 Ruperto Martínez No. 238 Ote.  
 Centro MONTERREY, 64000 N.L.  
 Tel: 01 81 8343 6700 • Fax: 01 81 8344 0486

**Jalisco**

**SERVICIOS DE MANTENIMIENTO CASTILLO**  
 Garibaldi No. 1450  
 Ladrón de Guevara  
 GUADALAJARA 44660 Jal.  
 Tel: 01 33 3825 3480 • Fax: 01 33 3826 1914

**Chihuahua**

**DISTRIBUIDORA TURMIX**  
 Av. Paseo Triunfo de la Rep. No. 5289 Local 2 A.  
 Int. Hipermart  
 Alamos de San Lorenzo  
 CD. JUAREZ 32340 Chih.  
 Tel: 01 656 617 8030 • Fax: 01 656 617 8030

<b>Modelos:</b> 32100, 32100A, 32100C	<b>Tipo:</b> DH01	<b>Características Eléctricas:</b> 120 V~ 60 Hz 500 W
<p align="center"><b>Los modelos incluidos en el instructivo de Uso y Cuidado pueden ir seguidos o no por un sufijo correspondiente a una o varias letras del alfabeto y sus combinaciones, separadas o no por un espacio, coma, diagonal, o guión. Como ejemplos los sufijos pueden ser: "Y" y/o "MX" y/o "MXY" y/o "Z".</b></p>		

840252501

3/15