



INSTALLATION GUIDE & USER'S MANUAL

For Under Cabinet Mount Range Hoods



Customer Support Info:

Tel: 714.554.9000

Email: Support@XtremeAirUsa.com

Website: www.XtremeAirUsa.com



TABLE OF CONTENTS

1 IMPORTANT SAFETY INSTRUCTIONS 2

2 MOUNTING HEIGHT 3

3 VENTING REQUIREMENTS 3

4 VENTING METHODS 3

5 ELECTRICAL REQUIREMENTS 4

6 TOOLS YOU WILL NEED 4

7 PARTS SUPPLIED/ DIAGRAM 4-5

8 INSTALLATION 6-7

9 RANGE HOOD OPERATION 8

10 HOW TO CHANGE OR REPLACE LIGHT BULB 9

11 TROUBLE SHOOTING 9

12 USE & CARE INFORMATION 10

13 MAINTENANCE 10

14 PRODUCT WARRANTY 11

I. IMPORTANT SAFETY INSTRUCTIONS

IMPORTANT NOTICE: The Important Safety Instructions and Warnings in this manual are not meant to cover all possible problems and/or situations that can occur upon installation of this unit. Use **EXTREME** caution when installing, maintaining, or operating this appliance. Contact the XtremeAir USA Customer Support Team at 1.714.554.9000 or email: support@XtremeAirUsa.com with any concerns or situations that you do not understand. **The manufacturer disclaims all liability for any damages or injuries caused as a result of not following instructions for installation contained in this manual.**

⚠ DANGER

To avoid the possibility of an explosion or fire, **do not** store or use combustible, flammable or explosive vapors and liquids (such as gasoline) inside or in the vicinity of this or any other appliance. Keep all combustible items (such as aerosol cans) away from cook top burners, ovens and range hoods. Do not store flammable or explosive materials in adjacent cabinets or surrounding areas.

Disclaimer: The manufacturer and/or distributor/seller (Manufacturer) decline all responsibility in the event of failure to observe the instructions provided for installation, maintenance, and suitable use of the product. Manufacturer shall NOT be responsible for any injury due to negligence and the warranty of the unit shall automatically be voided due to failure to observe proper safety and installation procedures. Manufacturer will not be held responsible for any damages to personal property, real estate, or any bodily injuries whether caused directly or indirectly by the range hood.

WARNING - TO REDUCE THE RISK OF FIRE, ELECTRIC SHOCK, OR INJURY TO PERSON, OBSERVE THE FOLLOWING:

*Use this unit only in the manner intended by the manufacturer. If you have questions, contact the manufacturer.

PRODUCT: Do not remove permanently affixed labels, warnings or plates from the product. This may void the warranty. Do not try to alter the hood.

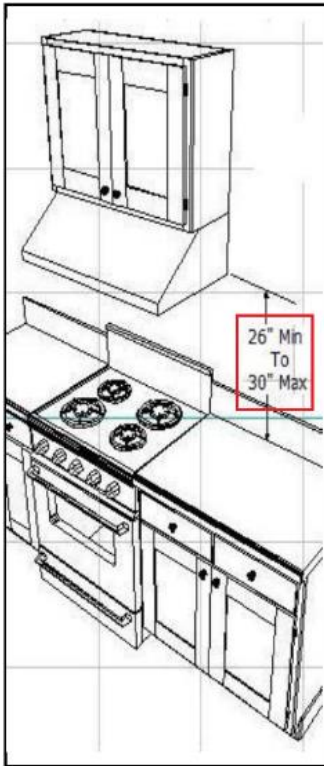
INSTALLATION: The installation in this manual is intended for qualified installers, service technicians, or person with a similar qualified background. Installation and electrical wiring must be provided by qualified professionals and in accordance with all applicable codes and standards, including fire-related construction. When cutting or drilling into the wall or ceiling; do not damage electrical wiring and other utilities. It is recommended that two or more people assist with the installation. The range hood may have very sharp edges; please wear protective gloves if it is necessary to remove any parts for installing, cleaning or servicing. Read all instructions before beginning installation

VENTING: For kitchen range or cook top ventilating use only. **DO NOT** use units to exhaust hazardous or explosive materials and vapors. Ducted fans **MUST** always be vented to the outdoors. **DO NOT** vent exhaust into spaces between walls, crawl spaces, ceiling, attics and/or garages. Use only metal ductwork. Old ductwork should be cleaned or replaced if necessary to avoid the possibility of grease fires. Check all joints on ductwork to insure proper connections. All joints should be properly taped.

ELECTRICAL: All electrical wiring must be properly installed, insulated and grounded. **TURN POWER OFF** and un-plug cords from outlet before servicing and/or cleaning to insure your safety.

OPERATION: Caution is suggested when using high settings on cooking range. Keep all fan, baffle filters, spaces, grease tunnel, oil container, and grease-laden surfaces clean. Grease should not be allowed to accumulate on fan, baffle filter, spaces, grease tunnel, and oil container. Never allow the filters to become blocked or clogged. Do not allow foreign objects such as cigarettes and/or napkins, to be absorbed into the hood. Clean ventilating fans and filters frequently.

2. MOUNTING HEIGHT



FOR THE MOST EFFICIENT & QUIET OPERATION:

- A distance of 26” to 30” is recommended between stove top and the bottom of range hood.
- If the hood is mounted too low this could result in heat and/or fire hazard. If the hood is mounted too high the controls will be hard to reach, and the hood will lose its performance and efficiency.

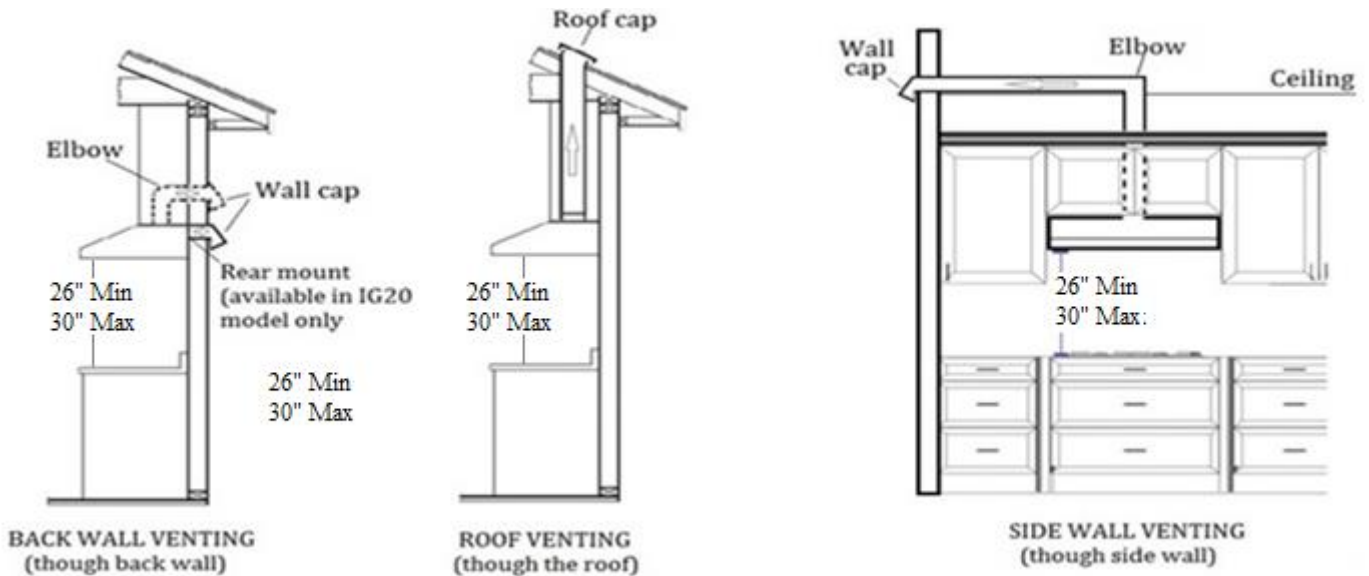
3. VENTING REQUIREMENTS:

- It is recommended that the range hood be vented vertically through the roof with a minimum of 6” or larger vent work.
- ALWAYS, when possible, reduce the number of transitions and turns in the ducting. If a long duct run is required, increase duct size from 6” to 7” or 8”. If a reducer is used, install a long reducer instead of a pancake reducer. Reducing duct size will restrict/decrease airflow.
- The size of the vent should be uniform.
- Use no more than three 90° elbows in the duct run.
- Make sure there is a minimum of 24” of straight vent between the elbows if more than one elbow is used

IMPORTANT:

- NEVER exhaust air or terminate ductwork into crawl spaces, between walls, ceiling, attics, or garages. **All exhaust must be ducted to the outside.**
- Do not use plastic ventilation
- Do not use 4” laundry-type wall caps

4. VENTING METHODS



BACK WALL VENTING (1st choice) Ducting goes up straight inside upper cabinet then turns and goes horizontally straight through an exterior wall behind the hood. This will be the shortest ducting length

ROOF VENTING (2nd choice) This is the most efficient way and highly recommended. Ducting goes vertically above the range hood through the house’s roof.

SIDE WALL VENTING (3rd choice) Ducting goes through the kitchen ceiling then through a nearby exterior wall.

5. ELECTRICAL REQUIREMENTS:

IMPORTANT: Observe all governing building codes and city ordinances.

A 120 volt, 60 Hz. AC, 15-amp outlet is needed (fused electrical circuit is required)

It is the customer’s responsibility to contact a qualified electrical installer, and assure that the electrical installation is adequate and in conformance with National Electrical Code, ANSI/ NFPA 70 — latest edition, or CSA Standards C22. 1-94, Canadian Electrical Code, Part 1 and C22. 2 No. 0-M91 - latest edition and all local codes and ordinances.

6. TOOL & PARTS YOU WILL NEED

OPTIONAL

Tools and materials shown include: Tape measure, Stud finder, Powered Screwdriver, Pencil, Hex bit extension, Philip screwdriver, Jigsaw or key saw, Level, Aluminum Tape, Car jack, Cabinet Jack, and (2) 2" x 4" x 24" (1) 24" x 36"/42" x 3/4" plywood.

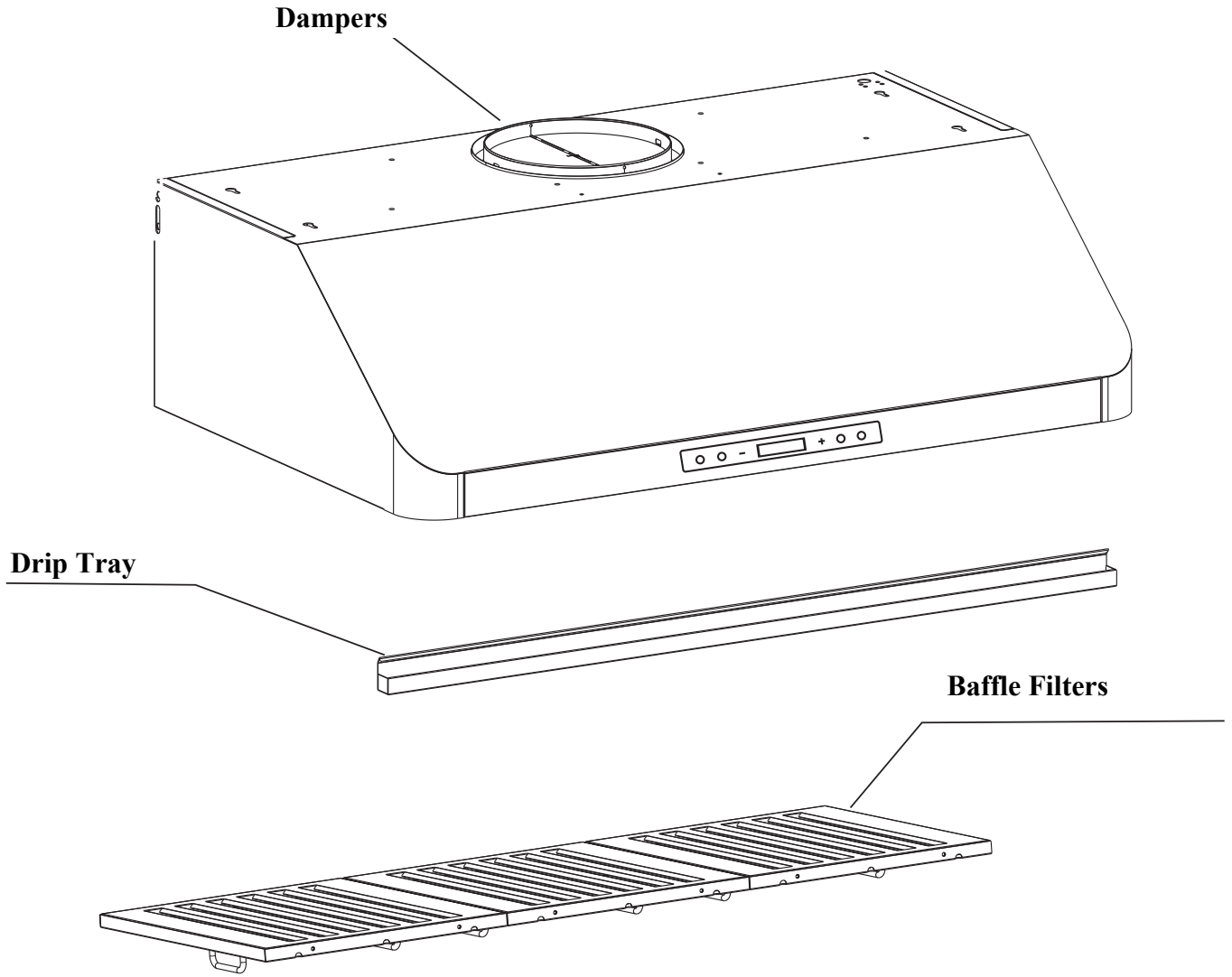
Note: about 6" wider than the stove is ok

7. PART SUPPLIED

- Body & Main Unit: 1 PC
- Long oil container: 1 PC (IG20, PX14, UL 14 is excluded)
- Installation Manual: 1set or find manual on www.XtremeAirUsa.com
- Baffle filter: 1set
- Screws: 6 pieces
- Remote control: 1 piece (Only included in Pro-x models)

PARTS DIAGRAM

MAIN PARTS



Number of Filters will depend on Model /Size.

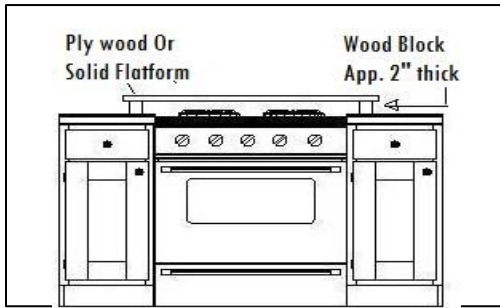
8. INSTALLATION

NOTE: DO NOT TRY TO REMOVE BLOWER OR ITS HOUSING. YOU WILL BE UNABLE TO PUT IT BACK IN. MORE IMPORTANTLY, THE WARRANTY WILL BE VOIDED.

STEP 1: PROTECT THE COOK TOP

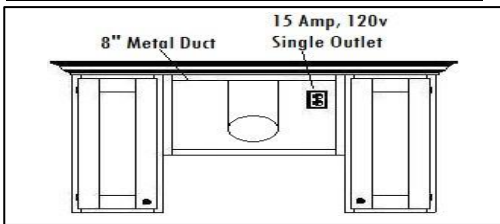
Put a thick, protective covering over counter top, cook top or range to protect from damage or dirt.

STEP 2: CREAT WORK STATION (OPTIONAL ONLY)



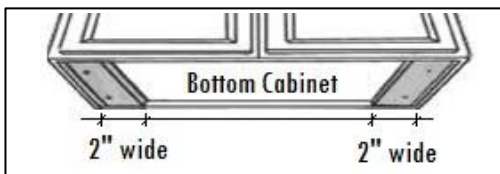
Have 2 pieces of wood about 2" x 4" x 20" on both sides of stove & a plywood plank on top of them to protect cook top or stove from damage or dirt. This plywood will also create a comfortable work station for easy installation.

STEP 3: PREPARE DUCTWORK & SINGLE OUTLET



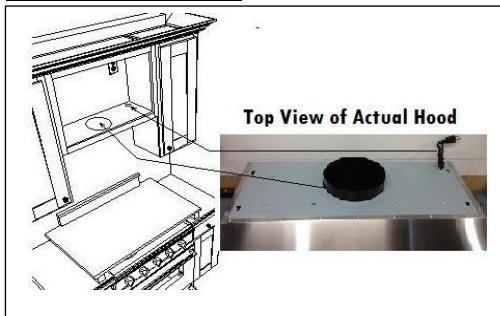
- Make sure you have a 15amp, 120V, 60Hz, single outlet on the left or right of the duct pipe (usually is off centered to the right or left side of the cabinet)
- Make sure duct pipe is ready to hook up to the range hood before beginning installation (8" diameter duct, and roof or wall cap, depending on where you will be venting your hood)

STEP 4: ATTACH 2-INCH WIDE WOOD FILLER STRIPS (PX14 & UL14 models, skip this step)



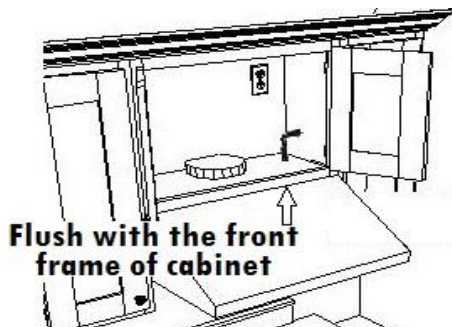
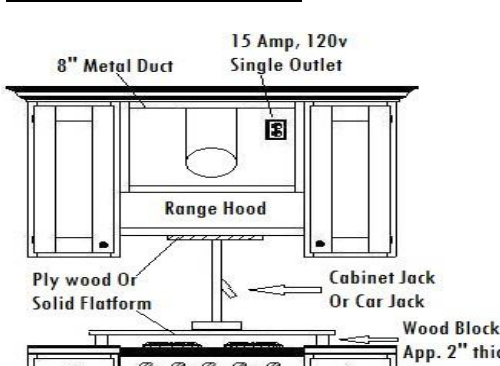
For installing under the cabinet with recessed bottom, attach about 2-inch wide wood filler strips (Not provided) to each side.

STEP 5: CREATE ACCESS



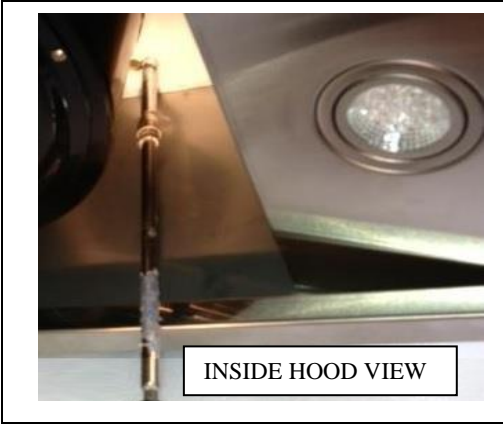
Create or cut access opening for electrical wire and hood exhaust under the cabinet. For easy installation, please cut about 1/4" larger ducting diameter and the plug.

STEP 6: ATTACH THE HOOD



Lift the hood up and have it placed below the cabinet. Make sure to center the hood beneath the cabinet and flush with the front of cabinet.

TIP (optional): since the hood is heavy, a cabinet or a car jack is highly recommended.



INSIDE HOOD VIEW

STEP 7A: SECURE THE HOOD TO BOTTOM CABINET

From inside of the hood, using the **hex bit extension**, place one screw (provided) into each key hole or pre-drilled holes (fig. A) secure to cabinet bottom. Make sure there is at least 1 screw at each corner of hood body



TOP VIEW



STEP 7B: SECURE THE HOOD TO WALL

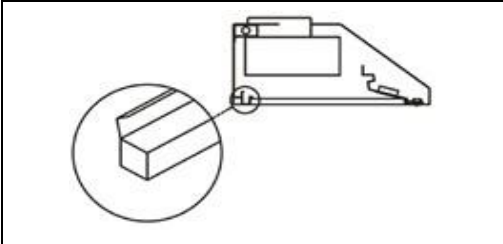
Use stud finder to find the stud and use 1/8" drill bit to drill though the back of the hood.

Secure the hood by using provided screws though the back of the hood to the stud(s).



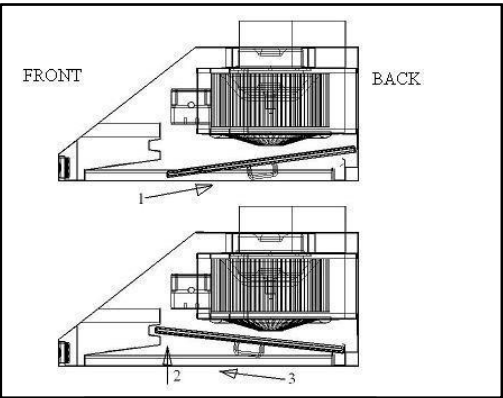
STEP 8: CONNECT DUCTWORK

Connect the exhaust on the hood to the ductwork. Wrap with aluminum tape to make all joints are secure And tight.



STEP 9: INSTALL OIL TUNNEL OR OIL CONTAINER (NOT AVAILABLE FOR ALL MODELS)

Place oil tunnel into recess support near rear of hood. Refer to the left picture



Baffle filters Installation

STEP 10: INSTALL BAFFLE FILTERS

Install baffle filters; refer to picture at left for the following steps:

1. Angle baffle filter toward back of hood.
2. Lift the baffle filter up above horizontal level.
3. Slide forward into slot behind the front of hood.
4. Slide the installed baffle filter to either left or right until it stops.
5. Repeat step 1 to 4 to install the remaining filters, make sure you slide to opposite direction from the previous installed filter.

To remove the baffle, reverse the process.

NOTE: The middle filter must installed last, and it must be taken out first when you want to remove other filters.



Touch Panel Controls

A. Clock Button & Delay Timer Button:

Set the clock: With the fan not running, touch the clock symbol. The time on the display will light up and blink. Immediately use the (+) and (-) buttons to adjust the hours. Then touch the clock symbol again and immediately use the (+) and (-) buttons to adjust the minutes. After 3 seconds of no buttons being touched, the time will save. The clock is in standard 12-hr format.

Delay Timer: When the fan is running, touch the clock symbol. The delay shut off timer has a default setting of 1 minute. Touch the (+) or (-) buttons to increase or decrease the timer duration up to 15 minutes.

B. Light: Touch to turn lights on/ off.

C. Minus (-) Button: Used to decrease settings.

Quick high speed on: When the unit is off, touch the (-) button once as a shortcut to turn on the fans with high speed setting.

D. Plus (+) Button: Used to increase settings.

Quick low speed on: When the unit is off, touch the (+) button once as a shortcut to turn on the fans with low speed setting.

E. Power Button: Press to turn the control panel on/ off

TYPE 2: MECHANICAL BUTTON CONTROL

	<p>A. Activating Blower Function: Press your desired speed (1, 2, 3)</p> <p>B. Turn off power: While the blower (motor) is running, press button (0) to turn off the motors.</p> <p>C. To turn the light ON/OFF While the light is off, press button (4) once to turn on the light. Press button (4) again to turn the light off</p>
--	---

10. HOW TO CHANGE OR REPLACE LIGHT BULB

GU10 BASE TYPE LIGHT BULB:

A. Make sure the range hood is unplugged, or turn OFF breaker.



B. Slightly press inward on the GU10 bulb using both thumbs



C. Keep your grip & pressure constant on the bulb with the thumbs as you turn the bulb counter-clockwise. Stop pushing it inward once you feel it won't turn further (it should turn about 90 degrees)



D. Pull the bulb straight out of the socket



E. Have new light bulb legs to align with 2 socket base slot holes



F. Press the new bulb inward into the socket. You will press the bulb inward into the same position that you took the old bulb out from. Twist it clockwise as far as it will go, and you can turn the lights back on

11. TROUBLE SHOOTING

1. If the range hood or lights does not operate after installation:

- Check if the range hood has been plugged in. Make sure that all power has been turned back ON.
- Swap out light assembly to working ones to determine whether it is caused by defective bulbs.

2. The range hood vibrates when the blower is on:

- The range hood might not have been secured properly to the cabinet or wall.
- Check if the blower wheel is damaged.

3. The blower or fan seems weak:

- Check that the duct sized used is at least 6". Range hood WILL NOT function efficiently with insufficient duct size & loosely secured.
- Check if duct is clogged or if damper unit (half-circular flapper) is not installed correctly or opening properly. A tight mesh on a side wall cap unit might also cause restriction to the air flow.

4. The lights work but the blower is not spinning at all, is stuck or is rattling.

- The blower might be jammed or scraping the bottom due to shipping damage. Please contact us immediately.

5. The hood is not venting out properly:

- Make sure the distance between the stove top and the bottom of the hood is within 26" and 30" in distance.
- Reduce the number of elbows and length of ductwork.
- Check if all joints are properly connected, sealed, and taped.
- Make sure the power is on high speed for heavy cooking.

6. The hood is noisier than normal

- The damper was not opened.
- The duct is not secure and causes vibration.
- The smaller duct size than required is being used.

12. USE & CARE INFORMATION:

Operations:

- Read and understand all instructions and warnings in this manual before operating the appliance. Save these instructions for future reference.
- Always leave safety grills and filters in place. Without these components, operating blowers could catch on to hair, fingers and loose clothing.
- NEVER dispose cigarette ashes, ignitable substances, or any foreign objects into blowers.
- NEVER leave cooking unattended. When frying, oil in the pan can easily overheat and catch fire. The risk of self-combustion is higher when the oil has been used several times.
- NEVER cook on “open” flames under the range hood. Check deep-fryers during use: Superheated oil may be flammable.

Cleaning:

- The saturation of greasy residue in the blower and filters may cause increased inflammability. Keep unit clean and free of grease and residue buildup at all times to prevent possible fires.
- **FILTERS MUST BE CLEANED PERIODICALLY AND FREE FROM ACCUMULATION OF COOKING RESIDUE.**
- Do NOT operate blowers when filters are removed. Never disassemble parts to clean without proper instructions.
- Disassembly is recommended to be performed by qualified personnel only. Read and understand all instructions and warnings in this manual before proceeding.

13. MAINTENANCE

SAFETY WARNING: Never put your hand into area housing the fan while the fan is operating! For optimal operation, clean range hood and all baffle/spacer /filter/grease tunnel/oil container regularly. Regular care will help preserve the appearance of the range hood.

Cleaning Exterior surfaces:

- Clean periodically with stainless steel cleaner or hot soapy water and clean cotton cloth. Do NOT use corrosive or abrasive detergent (e.g. Comet Power Scrub®, EZ-Off® oven cleaner), or steel wool/scouring pads, which will scratch and damage the stainless steel surface. For heavier soil, use liquid degrease such as “Formula 409®” or “Fantastic®” brand cleaner.
- If hood looks splotchy (stainless steel hood), use a stainless steel cleaner to clean the surface of the hood. Avoid getting cleaning solution on or into the control panel. Follow directions of the stainless steel cleaner. **CAUTION:** Do NOT leave on too long as this may cause damage to hood finish. Use soft towel to wipe off the cleaning solution, gently rub off any stubborn spots. Use dry soft towel to dry the hood.
- After cleaning, you may use non-abrasive stainless steel polish such as 3M® or ZEP®, to polish and buff out the stainless luster and grain. Always scrub lightly, with clean cotton cloth, and with the grain.
- Do NOT allow deposits to accumulate or remain on the hood.
- Do NOT use ordinary steel wool or steel brushes. Small bits of steel may adhere to the surface and cause rusting.
- Do NOT allow salt solutions, disinfectants, bleaches, or cleaning compounds to remain in contact with stainless steel for extended periods. Many of these compounds contain chemicals which may be harmful. Rinse with water after exposure and wipe dry with a clean cloth. **Cleaning Grease Filter / Stainless Steel Filter less Grill: IMPORTANT: Drain oil from oil containers before oil and residue overflow!**
- The metal filters fitted by the factory are intended to filter out residue and grease from cooking. It needs not be replaced on a regular basis but are required to be kept clean.
- Filters should be cleaned after every 30 hours of use. Remove and clean by hand or dishwasher. Use proper degreasing detergent for stainless steel and leave to soak if heavily soiled. Dry filters and re-install before using hood.

XtremeAIR USA HOOD TEN (10) YEARS MOTOR LIMITED WARRANTY

XtremeAIR USA Range Hood (hereunder called “The Company”) warrants its product against defects in material or workmanship for the time periods as set forth below. ****Note: for products purchased after January 2021****

Parts: For a period of one (1) years from the original date of purchase of product (“Parts Warranty”), The Company will supply new or equivalent replacement parts in exchange for parts determined to be defective. The motor warranty is extended for an additional nine (9) years to accumulate ten (10) years total (motor only).

Labor: For a period of one (1) year from the original date of purchase of the product (“Labor Warranty”), if the product is determined to be defective, The Company will repair or replace the product, at its option, at no charge. The Company will only cover labor performed at its facility. This warranty does not cover on site labor costs. After the Labor Warranty period, labor charges are applicable.

Warranty Performance: In the event of any malfunction or defect covered under the terms of this warranty, immediately contact the company. Written notice of any malfunction or defect must be given within 7 days of the time of discovery of the malfunction and must be accompanied by the original consumer purchase receipt which shows the date of purchase.

To obtain warranty service, the products must be delivered, freight prepaid, in either its original packaging or packaging affording an equal degree of protection to the company authorized service facility as specified below. The repaired unit will be returned at The Company’s expense.

16142 Harbor Blvd., Fountain Valley, CA 92708, USA

For specific instructions on how to obtain warranty service for your product, contact XtremeAir USA by emailing support@xtremeairusa.com or by calling 1 (714) 554-9000

Repair/ Replacement Warranty: This Limited Warranty shall apply to any repair, replacement part or replacement product for the remainder of the original Limited Warranty period. Any part or product replaced under this Limited Warranty will become the property of The Company.

This Limited Warranty only covers product issues caused by defects in material or workmanship during ordinary consumer use and is non-transferable. It does not cover product issues caused by any other reason, including but not limited to: product issues due to commercial use, acts of God, misuse, defects resulting from damages sustained during shipping, unauthorized repair, modification of or to any part of the XtremeAir product.

This Limited Warranty does not cover XtremeAir products sold AS IS or WITH ALL FAULTS, light bulbs, remote control, normal maintenance and service, costs of removal or installation. This Limited Warranty is invalid if the factory-applied serial number has been altered or removed from the product.

DISCLAIMERS

XtremeAir USA shall not be responsible for loss of use or other incidental consequential costs, expenses or damages which may occur. Under no circumstances shall XtremeAir USA or any of its representatives be held liable for injury to any person or damage to any property, however arising. This warranty gives you specific legal rights, and you may have other rights which vary from state to state.

All rights reserved