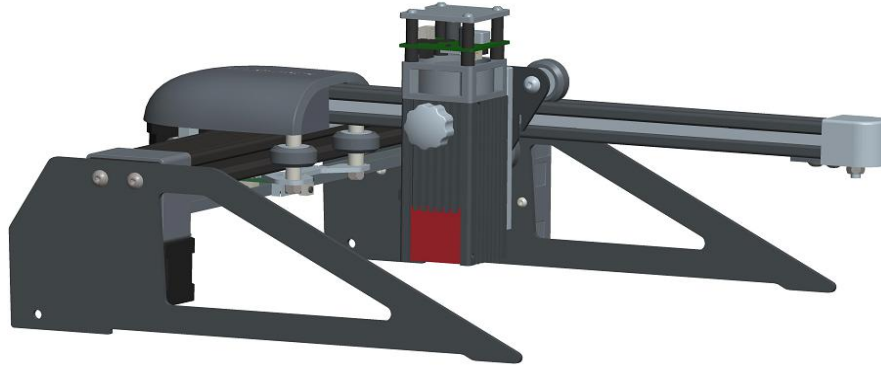


# ATOMSTACK P7 Series Laser Engraver Installation Manual



- English
- Deutsche
- Français

Version: V1.0

The picture is for reference only, the actual product shall prevail

CE FC RoHS FDA   **MADE IN CHINA**





# Part 1: Security Statement Before Installation

Before Using the laser engraving, please read this safety guide carefully, it mentions situations that require special attention and includes warnings of unsafe practices that can cause damage to your property or even endanger your personal safety.

1. The product belongs to Class 4 laser products, the laser system itself must meet the requirements of IEC 60825-1 latest version, otherwise the product is prohibited to be used.
2. Our laser engraver have a protective housing which, when in place, prevents human access to laser radiation.
3. If a protective housing is equipped with an access panel which provides "walk-in" access then:
  - a) means shall be provided so that any person inside the protective housing can prevent activation of a laser hazard that is equivalent to Class 3B or Class 4.
  - b) There is a warning device is situated so as to provide adequate warning of emission of laser radiation equivalent to Class 3R in the wavelength range below 400 nm and above 700 nm, or of laser radiation equivalent to Class 3B or Class 4 to any person who might be within the protective housing.
  - c) Where "walk-in" access during operation is intended or reasonably foreseeable, emission of laser radiation that is equivalent to Class 3B or Class 4 while someone is present inside the protective housing of a Class 1, Class 2, or Class 3R product shall be prevented by engineering means.

NOTE Methods to prevent human access to radiation when persons are inside the protective housing can include pressure sensitive floor mats, infrared detectors, etc.

4. The laser itself has a protective cover, the protective cover is fastened by screws. When the laser is installed on the laser engraver, the protective cover should be checked to be reliably locked, and can not be removed in the energized state.
5. The housing of the laser engraver have an interlock function. When the housing is opened or removed, the laser can be automatically turned off.
6. The laser engraver have an emergency stop button, which can immediately stop the output of the laser when pressed under unexpected circumstances.
7. The laser engraver have a reset button, which can resume work under the condition of confirming safety after lifting the interlock or emergency stop.
8. Laser engraver use physical keys, dongle, password system and other ways to manage and control, to prevent personnel without security training operation of this kind of equipment.
9. On the laser engraver any window or channel that can actively observe or passively receive the laser radiation set up warning marks.
10. If the laser burns the skin or eyes, please go to a nearby hospital for examination and treatment immediately.

# Part 2: User Security Statement

Laser Light can hurt the human eyes and skin. Do not expose the eye or skin to laser light directly. This Laser product has an optical lens and emits a collimated laser beam. The light from this product, either direct or reflected is very harmful as it can propagate a long distance while maintaining high optical density. When handling the product, must wear appropriate safety glasses (OD5+) to protect eyes from laser light including reflected and stray light. The reflected and stray light spilling into an unintended area should be attenuated and/or absorbed.

## 2.1 Laser safety

We installed a laser shield on the laser, the shield can largely filter out the diffuse reflection of the laser spot. However, when using laser engraving machine, it is recommended that you wear laser protective glasses. Avoid skin exposure to type 4 laser beams, especially at the closed distance. Teenagers must have parental supervision in the process of using it. Do not touch the laser engraving module when the machine is activated.

## 2.2 Fire safety

Because cutting burns off the substrate, a high-intensity laser beam generates extremely high temperatures and a lot of heat. Certain materials can catch fire during cutting, creating gases and fumes inside the equipment. A small flame usually appears here when a laser beam hits the material. It will move with the laser and will not stay lit when the laser passes by. Please do not leave the machine unattended during the carving process. After use, be sure to clean up debris, debris and flammable materials in the laser cutting machine. Keep a working fire extinguisher nearby at all times. Smoke or air pollutant safety. When laser engraving machines are used, smoke, vapour, particles, and potentially highly toxic materials (plastics and other combustible materials) are produced from the material. These fumes or air pollutants can be hazardous to health.

### **2.3 Material safety**

Do not engrave materials with unknown properties. Materials Recommended:Wood, bamboo, leather, plastic, fabric, paper, opaque acrylic, glass.Materials not recommended:Metal, precious stones, transparent materials, reflective materials etc.

### **2.4 Use Safety**

Use the engraver only in horizontal position and ensure that it has been securely fixed to prevent fires caused by accidental shifting or dropping from the workbench during work.It is forbidden to point the laser to people, animals or any combustible object, whether it is in working condition or not.

### **2.5 Power safety**

To prevent accidental disasters such as fire and electric shock, the Laser Engraver provides a power adapter with a ground wire. Plug the power plug into the power socket with a ground wire when using the Laser Engraver.

### **2.6 Environment safety**

Please ensure the workplace must be cleared while assembling engraving and cutting no flammable or explosive materials surrounding the equipment. Have to set a metal plank under the bottom while engraving or cutting.

## Part 3: Disclaimer and warning

This product is not a toy and is not suitable for people under 15 years of age. Do not allow children to touch the laser Module. Please be careful when operating in scenes with children.

This product is a laser module, visit <http://www.atomstack3d.com/laserengraverdownload> for complete "user manual" and the latest instructions and warnings. Shen zhen AtomStack Technologies Co., Ltd. (Atomstack) reserves the right to update this Disclaimer and Safe Operation Guidelines.

Please be sure to read this document carefully before using the product to understand your legal rights, responsibilities and safety instructions; Otherwise, it may bring property loss, safety accident and hidden danger of personal safety. Once you use this product, you shall be deemed to have understood, accepted and accepted all terms and contents of this document. User undertakes to be responsible for his or her actions and all consequences arising therefrom. User agrees to use the Product only for legitimate purposes and agrees to the entire terms and contents of this document and any relevant policies or guidelines that AtomStack may establish.

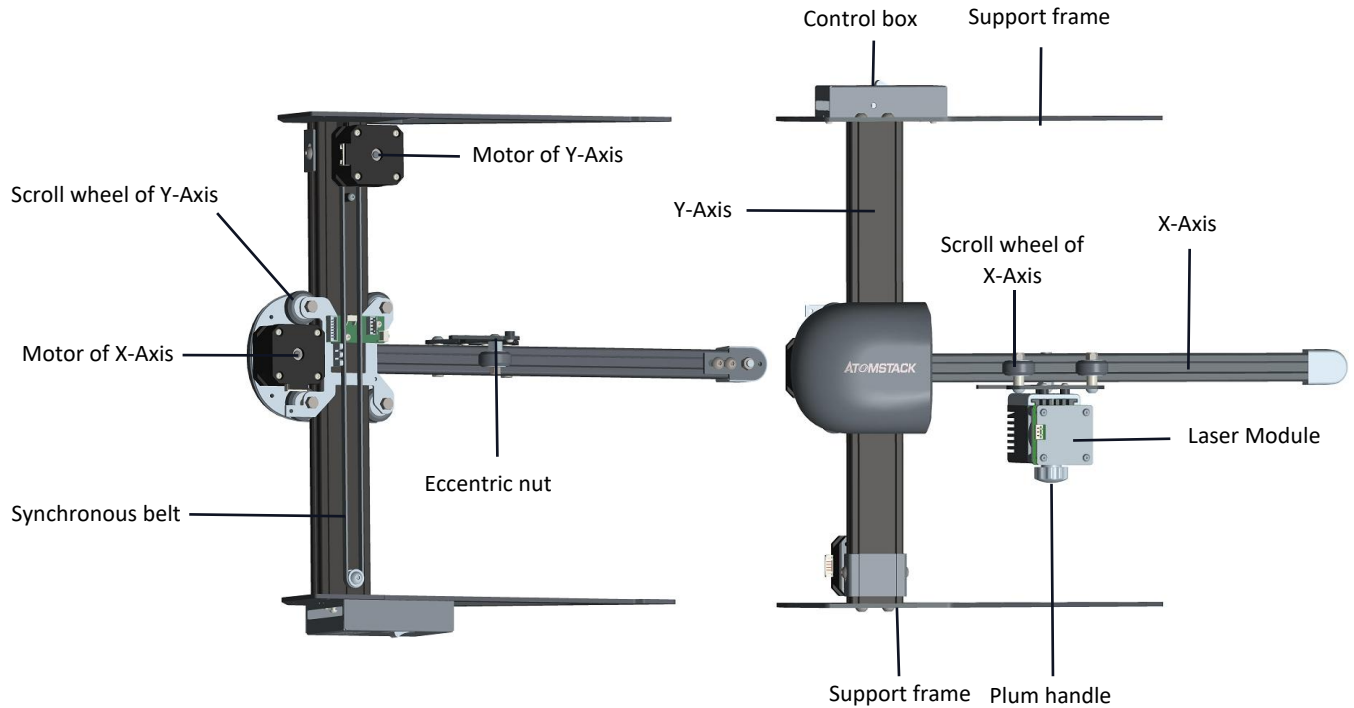
You understand and agree that AtomStack may not be able to provide you with the cause of the damage or accident and provide you with AtomStack's after-sale service unless you provide the original engraving or cutting files, engraving software configuration parameters used, operating system information, video of the engraving or cutting process, and

operational steps prior to the occurrence of a problem or failure.

AtomStack is not liable for any and all losses arising from the user's failure to use the product in accordance with this manual, Without the guidance of the company's technical personnel, users are prohibited from disassembling the machine by themselves. If this behavior occurs, the loss caused by the user shall be borne by the user.

Atomstack has the ultimate right to interpret the document, subject to legal compliance. Atomstack reserves the right to update, modify, or terminate the Terms without prior notice.

# Engraving machine introduction





## Part 4: Assembling instruction

Step1. Assembling instruction of X-Axis and Y-Axis

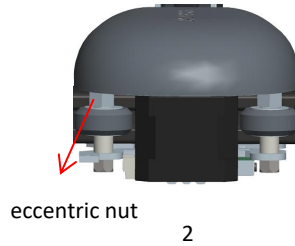
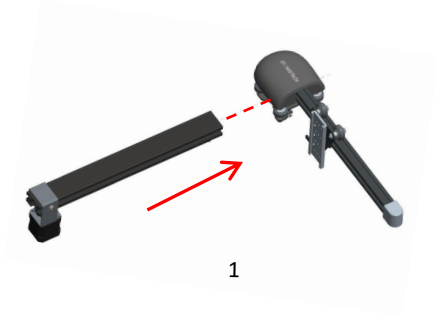
Step2. Assembling instruction of Y-Axis Bracket

Step3. Assembling instruction of Synchronous belt

Step4. Assembling instruction of Laser Module

Step5. Assembling instruction of connectivity cable

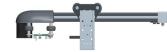
## Step 1



### Components required



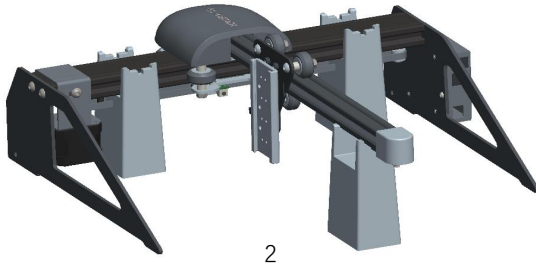
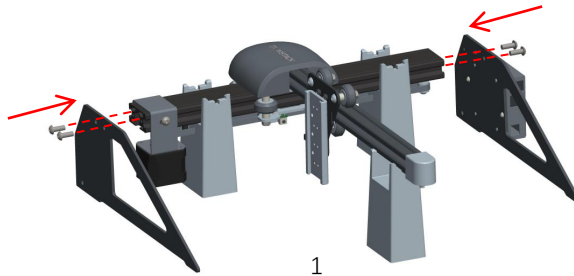
Y-axis component



X-axis component

1. As shown in Figure 1, push the X-axis assembly along the dotted line into the guide rail frame on the Y-axis assembly. Before pushing the X-axis assembly into the Y-axis frame, use an open-end wrench to loosen the eccentric nut to avoid pushing into the Y-axis machine. The rollers on the X-axis assembly are too tight when mounting.
2. As shown in Figure 2, after pushing the X-axis assembly into the Y-axis guide rail, properly tighten the eccentric nut on the X-axis assembly with an open-end wrench to prevent the rollers on the X-axis assembly from loosening.
3. As shown in Figure 3, it is a complete display of the X/Y axis assembly after assembly.

## Step 2



### Components required



Upper support  
foot and control  
box component



Lower support  
foot component



Y-axis bracket screws  
on both sides M5\*14



Assembly pad

1. As shown in Figure 1, two assembly blocks are used to install the Y-axis and one assembly block is used to install the X-axis. They are respectively clamped in different grooves, and then the upper support foot and the lower support foot assembly are assembled, and the support foot The components and M5\*14 screws are assembled to the screw holes of the Y axis along the dotted lines on both sides, and tighten the screws with a No. 4 Allen screwdriver
2. Figure 2 shows the complete assembly after the Y-axis upper support foot and lower support foot assembly and M5\*14 screws are tightened.

### Step 3

#### Components required



Cylindrical pad  
components



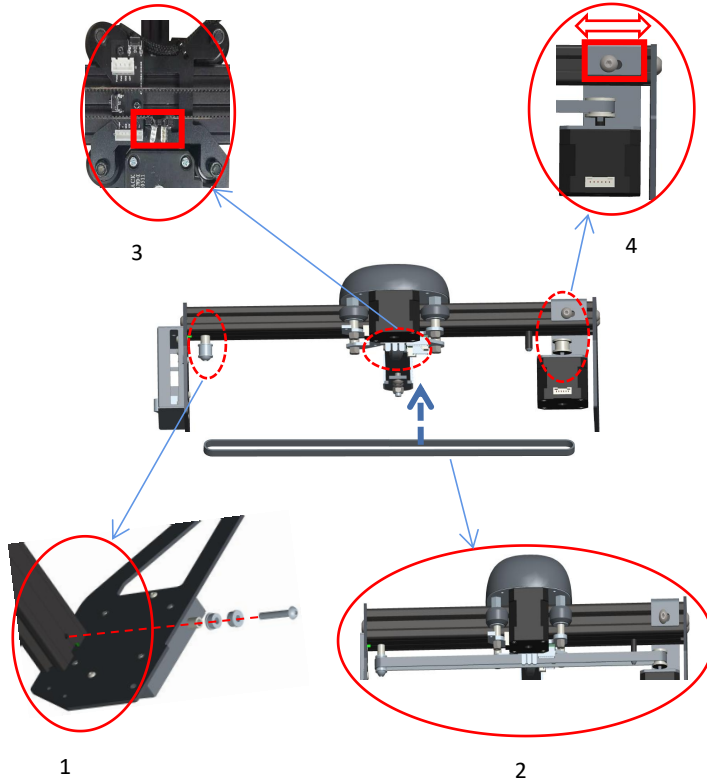
Bearing\*2



Screw M5\*25

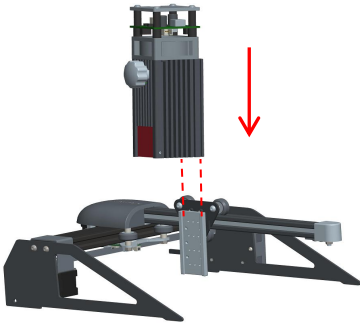


Synchronous  
belt component

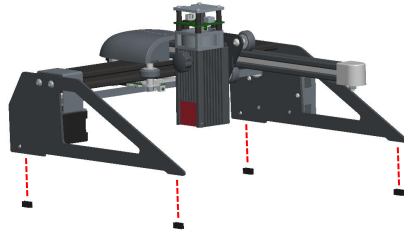


1. As shown in Figure 1, install the cylindrical pad, two bearings (note the direction), and M5\*25 screws along the dotted line to the Y-axis frame screw holes at the same time, and tighten the screws with a No. 4 hexagon socket screwdriver.
2. As shown in Figure 2, install the timing belt into the two timing wheels in the direction of the arrow.
3. As shown in Figure 3, after the timing belt is installed on the timing wheel, the two copper heads need to be buckled into the X-axis frame buckle.
4. As shown in Figure 4. To prevent the timing belt from being too loose, please loosen the M5\*14 screws on both sides of the Y-axis motor fixing frame, and move the fixing frame to the right to tension the timing belt.

## Step 4



1



2

### Components required



laser module



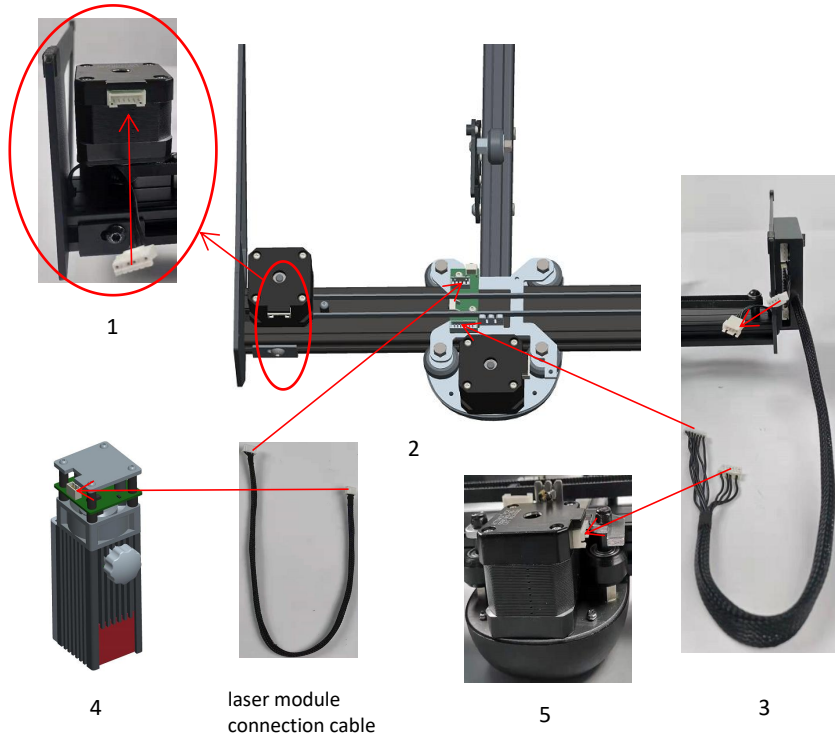
Foot pad foam  
components

1. According to the figure, insert the laser module into the X-axis slide rail block vertically along the dotted line, and then tighten the torx handle. The torx handle can be adjusted to move the laser module up and down. The limit position for the laser module to move up is where the bottom of the laser is level with the bottom of the slider. The maximum downward movement distance for the laser module is 72mm.

2. According to the figure, paste the foam along the dotted line to the stand of the engraver.

## Step 5

### Cable assembling



1. According to the figure, insert the 6PIN terminal of the Y-axis connection line into the XH6 interface of the Y-axis motor in the direction of the arrow.
2. According to the figure, insert the 4PIN terminal of the laser module cable into the XH4 interface of the adapter board and insert the 7PIN terminal of the control box cable into the XH7 interface of the adapter board in the direction of the arrow.
3. Follow the arrow direction in the figure. Insert the 4PIN terminal of the control box connection line into the 4PIN terminal interface of the Y-axis connection line.
4. According to the figure, insert the 3PIN terminal of the laser module cable into the XH3 interface of the laser module in the direction of the arrow.
5. Insert the 6PIN terminal of the control box cable into the XH6 terminal interface of the X axis motor in the direction of the arrow shown in figure.

# Software Installation

- 1. Atomstack laser engraver currently supports LaserGRBL and LightBurn.
- Windows OS only supports LaserGRBL. This is the download link: <http://lasergrbl.com/download/>
- Mac OS supports the both of LaserGRBL and Lightburn, This is the download link: <https://lightburnsoftware.com/pages/trial-version-try-before-you-buy>

➤ 2. If the engraving machine and the computer fail to connect, you need to update the driver. (For more information, please refer to the instruction manual), In LaserGRBL, click "Tools" > in turn. Install CH340 Driver "Update and install the Driver, restart the computer after the update, and then connect, as shown in the picture below.

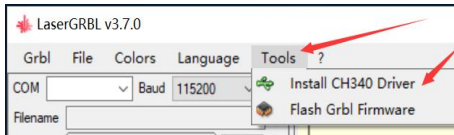


FIG. 1-1

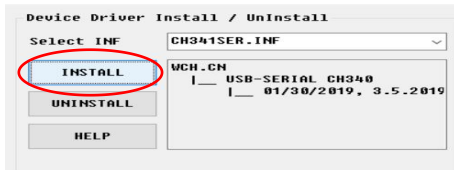
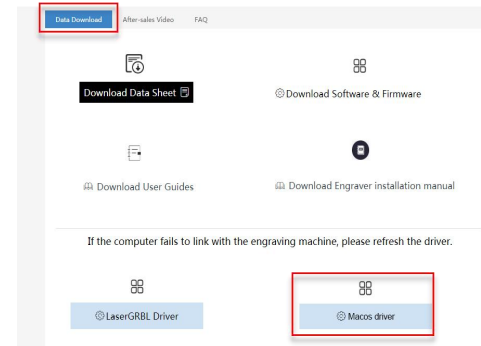


FIG. 1-2

To update the driver of macOS, log in to the website <http://atomstack3d.com/a5> and click to download the macOS driver, (as shown below)



Scan for multi-language instruction manual:



Scanner APP:  
QR Code Reader  
/Barcode Scanner  
or any APP with scanner

## Part 5: Maintenance instructions and warning

This product uses a highly integrated design and requires no maintenance. However, if the laser system installed with this product needs to be repaired or adjusted, please:

1. Unplug the power connector on the laser, so that the laser is in a state of power failure;
2. If you need laser assistance for adjustment, please:
  1. All present personnel wear protective glasses, OD5+ protective glass is needed ;
  2. Make sure there are no flammable or explosive materials around;
  3. The position and direction of the laser are fixed to ensure that the laser will not accidentally move and shine on people, animals, flammable, explosive and other dangerous and valuable objects during debugging.
  4. Don't look at lasers
  5. Do not shine the laser on the mirror object, lest the laser reflection cause accidental injury.



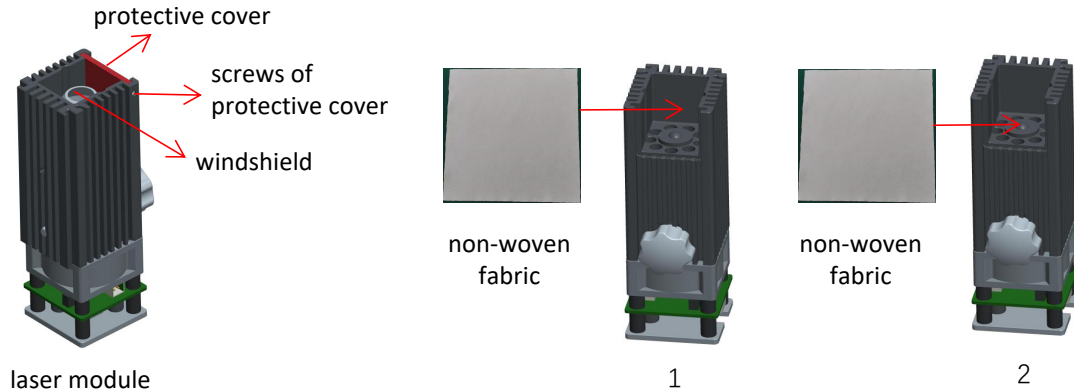
### 3.Laser module cleaning

After a period of utilization for the laser module, there will be some remains stay at the protective cover, heat sink, and the laser head. The remains need to be cleaned in time so that not affect the use of the laser module.

The windshield and protective cover must be removed before cleaning.

1.Please clean the protective cover and heat sink with the alcohol and non-woven fabric shown as chart 1.

2. Please clean the laser head with the alcohol and non-woven fabric shown as chart 2.



## Part 6: Precautions for common problems of engraving machine

1. Please select the correct COM port for connecting the software and equipment, and the baud rate should be selected: 115200, to ensure that the connection between the computer port and the USB cable is not loose. If you need laser assistance for tuning, please:

2. Before engraving, please confirm whether each mechanism is loose (synchronous belt, eccentric column of roller, and laser head are loose or shaken)

3. Correctly adjust the focus and confirm that the distance from the end of the laser protective cover to the engraving is 2mm.

4. LaserGRBL/LightBurn software can refer to the parameter table in the corresponding manual for engraving and cutting of different materials. The engraving of mirror metal requires manual surface blackening treatment.



## Customer Service:

Ø For detailed warranty policy, please visit our official website at: [www.atomstack3d.com](http://www.atomstack3d.com)

Ø For Laser Engraver technical support and service, please email: [support@atomstack3d.com](mailto:support@atomstack3d.com)

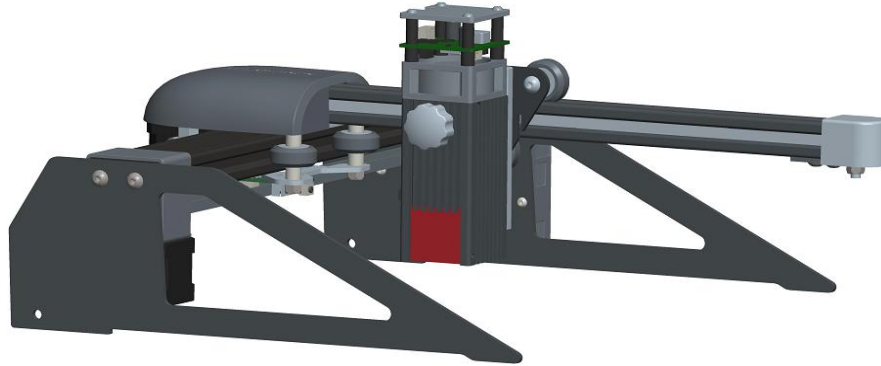
**Manufacturer:** Shenzhen AtomStack Technologies Co., Ltd.  
Address: AB301, New Chabridge Industrial Park, No.3, Baolong 6th Rd., Longgang Dist, Shenzhen, Guangdong, CHINA 518116

Scan the code to enter the engraving machine discussion group



Scanner APPLICATION:  
QR code reader  
/ Barcode scanner  
or any APP with scanner

# ATOMSTACK P7 Serie Lasergravurmaschine Installationshandbuch



- English
- Deutsche
- Français

Das Bild dient nur als Referenz, das tatsächliche Produkt hat Vorrang

CE FC RoHS FDA   **MADE IN CHINA**



# Teil 1: Sicherheitserklärung vor der Installation

**Bevor Sie die Lasergravur verwenden, lesen Sie diese Sicherheitsanleitung sorgfältig durch. Sie erwähnt Situationen, die besondere Aufmerksamkeit erfordern, und warnt vor unsicheren Praktiken, die Ihr Eigentum beschädigen oder sogar Ihre persönliche Sicherheit gefährden können.**

1. Dieses Produkt ist eine Komponente eines Lasergraviersystems und muss zur Verwendung bei anderen Herstellern von Lasergraviergeräten installiert werden. Wenn das Produkt zu Laserprodukten der Klasse 4 gehört, muss das Lasersystem selbst die Anforderungen der neuesten Version nach IEC 60825-1 erfüllen. Die Verwendung des Produkts ist verboten.

2. Ihr Lasergravierer muss über ein Schutzgehäuse verfügen, das den Zugang des Menschen zu Laserstrahlung verhindert.

3. Wenn ein Schutzgehäuse mit einer Zugangsklappe ausgestattet ist, die einen "begehbaren" Zugang bietet, müssen: a) Mittel vorhanden sein, damit jede Person im Schutzgehäuse die Aktivierung einer Lasergefahr verhindern kann, die der Klasse 3B oder entspricht Klasse 4. b) Eine Warneinrichtung muss so angebracht sein, dass eine angemessene Warnung vor der Emission von Laserstrahlung der Klasse 3R im Wellenlängenbereich unter 400 nm und über 700 nm oder vor Laserstrahlung der Klasse 3B oder Klasse 4 an Personen gerichtet ist, die könnte sich innerhalb des Schutzgehäuses befinden. c) Wenn ein „begehbare“ Zugang während des Betriebs beabsichtigt oder vernünftigerweise vorhersehbar ist, Emission von Laserstrahlung, die der Klasse 3B oder Klasse 4 entspricht, während sich jemand im Schutzgehäuse eines Produkts der Klasse 1, Klasse 2 oder Klasse 3R befindet durch technische Mittel verhindert werden. HINWEIS Zu den Methoden, die den Zugang von Menschen zu Strahlung verhindern, wenn sich Personen im Schutzgehäuse befinden, können druckempfindliche Fußmatten, Infrarotdetektoren usw. gehören.

4. Der Laser selbst hat eine Schutzabdeckung, die Schutzabdeckung ist mit Schrauben befestigt. Wenn der Laser auf dem Lasergravierer installiert ist, sollte die Schutzabdeckung auf zuverlässige Verriegelung überprüft werden und kann im eingeschalteten Zustand nicht entfernt werden.
5. Das Gehäuse des Lasergravierers sollte eine Verriegelungsfunktion haben. Wenn das Gehäuse geöffnet oder entfernt wird, kann der Laser automatisch ausgeschaltet werden.
6. Der Lasergravierer sollte über einen Not-Aus-Taster verfügen, der die Ausgabe des Lasers sofort stoppen kann, wenn er unter unerwarteten Umständen gedrückt wird.
7. Der Lasergravierer sollte über eine Rücksetztaste verfügen, mit der die Arbeit unter der Bedingung fortgesetzt werden kann, dass die Sicherheit nach dem Anheben der Verriegelung oder des Not-Aus bestätigt wird.
8. Der Lasergravierer sollte physische Schlüssel, einen Dongle, ein Passwortsystem und andere Methoden zur Verwaltung und Kontrolle verwenden, um zu verhindern, dass Personal ohne Sicherheitsschulung diese Art von Ausrüstung bedient.
9. Auf dem Lasergravierer sollten alle Fenster oder Kanäle angebracht werden, die die Laserstrahlung aktiv beobachten oder passiv empfangen können.
10. Wenn der Laser die Haut oder die Augen verbrennt, gehen Sie bitte sofort zur Untersuchung und Behandlung in ein nahe gelegenes Krankenhaus

# Teil 2: Erklärung zur Benutzersicherheit

Laserlicht kann die menschlichen Augen und die Haut schädigen. Setzen Sie das Auge oder die Haut nicht direkt Laserlicht aus. Dieses Laserprodukt hat eine optische Linse und sendet einen kollimierten Laserstrahl aus. Das direkte und reflektierte Licht dieses Produkts ist sehr schädlich, da es sich über eine lange Strecke ausbreiten kann und gleichzeitig eine hohe optische Dichte beibehält. Tragen Sie beim Umgang mit dem Produkt eine geeignete Schutzbrille (OD5 +), um die Augen vor Laserlicht einschließlich reflektiertem Licht und Streulicht zu schützen. Das reflektierte und streuende Licht, das in einen unbeabsichtigten Bereich gelangt, sollte gedämpft und / oder absorbiert werden.

## 2.1 Lasersicherheit

Wir haben eine Laserabschirmung am Laser installiert, die die diffuse Reflexion des Laserspots weitgehend herausfiltern kann. Bei Verwendung einer Lasergravurmaschine wird jedoch empfohlen, eine Laserschutzbrille zu tragen. Vermeiden Sie die Exposition der Haut gegenüber Laserstrahlen des Typs 4, insbesondere aus nächster Nähe. Die Teenager müssen bei der Verwendung von den Eltern beaufsichtigt werden. Berühren Sie das Lasergravurmodul nicht, wenn die Maschine eingeschaltet ist.

## 2.2 Brandschutz

Da das Schneiden das Substrat abbrennt, erzeugt ein hochintensiver Laserstrahl extrem hohe Temperaturen und viel Wärme. Bestimmte Materialien können sich beim Schneiden entzünden und Gase und Dämpfe im Gerät erzeugen. Hier tritt normalerweise eine kleine Flamme auf, wenn ein Laserstrahl aufschlägt. Das Material bewegt sich mit dem Laser und bleibt beim Vorbeifahren des Lasers nicht beleuchtet. Bitte lassen Sie die Maschine während des Schnitzvorgangs nicht unbeaufsichtigt. Reinigen Sie nach dem Gebrauch Schmutz, Ablagerungen und brennbare Materialien beim Laserschneiden. Halten Sie immer einen funktionierenden Feuerlöscher in der Nähe. Rauch- oder Luftschadstoffsicherheit. Bei Verwendung von Lasergravurmaschinen entstehen Rauch, Dampf, Partikel und möglicherweise hochgiftige Materialien (Kunststoffe und andere brennbare Materialien) aus dem Material. Diese Dämpfe oder Luftschadstoffe können gesundheitsschädlich sein.

### **2.3 Materialsicherheit**

Gravieren Sie keine Materialien mit unbekanntem Eigenschaften. Empfohlene Materialien: Holz, Bambus, Leder, Kunststoff, Stoff, Papier, opakes Acryl, Glas. Nicht empfohlene Materialien: Metall, Edelsteine, transparente Materialien, reflektierende Materialien usw.

### **2.4 Sicherheit verwenden**

Verwenden Sie den Graveur nur in horizontaler Position und stellen Sie sicher, dass er sicher befestigt ist, um Brände zu vermeiden, die durch versehentliches Verschieben oder Herunterfallen von der Werkbank während der Arbeit verursacht werden. Es ist verboten, den Laser auf Personen, Tiere oder brennbare Gegenstände zu richten, unabhängig davon, ob er sich darin befindet Arbeitszustand oder nicht.

### **2.5 Stromsicherheit**

Um versehentliche Katastrophen wie Feuer und Stromschlag zu vermeiden, wird der Lasergravierer mit einem Netzteil mit Erdungskabel geliefert. Stecken Sie den Netzstecker mit einem Erdungskabel in die Steckdose, wenn Sie den Lasergravierer verwenden.

### **2.6 Umwelt Sicherheit**

Stellen Sie beim Zusammenbau, Gravieren und Schneiden sicher, dass der Arbeitsplatz sauber ist und sich keine brennbaren und explosiven Materialien um das Gerät befinden. Beim Gravieren oder Schneiden muss eine Metallplatte auf den Boden gelegt werden.



## Teil 3: Haftungsausschluss und Warnung

Dieses Produkt ist kein Spielzeug und nicht für Personen unter 15 Jahren geeignet. Lassen Sie Kinder das Lasermodul nicht berühren. Bitte seien Sie vorsichtig, wenn Sie in Szenen mit Kindern arbeiten.

Dieses Produkt ist ein Lasermodul. Unter <http://www.atomstack3d.com/laserengraverdownload> finden Sie das vollständige "Benutzerhandbuch" sowie die neuesten Anweisungen und Warnungen. Shenzhen AtomStack Technologies Co., Ltd. (Atomstack) behält sich das Recht vor, diesen Haftungsausschluss und die Richtlinien für den sicheren Betrieb zu aktualisieren.

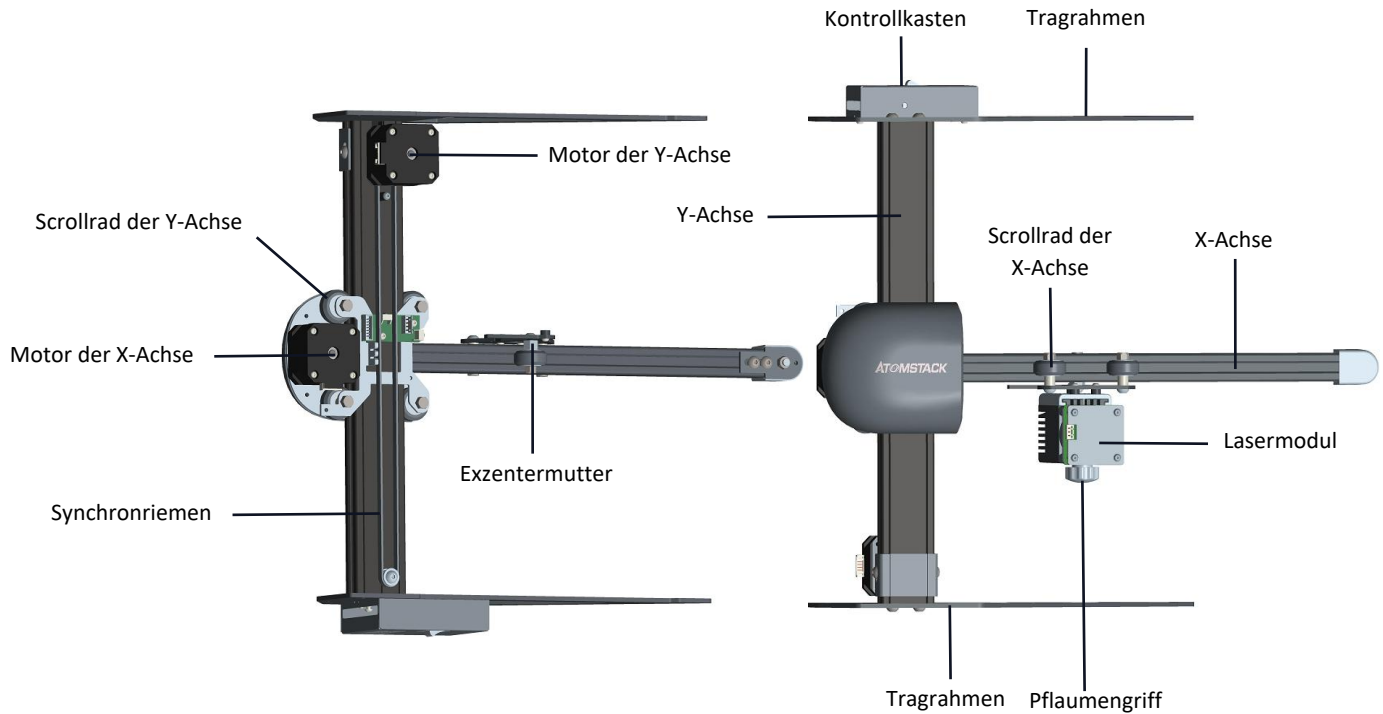
Bitte lesen Sie dieses Dokument sorgfältig durch, bevor Sie das Produkt verwenden, um Ihre gesetzlichen Rechte, Pflichten und Sicherheitshinweise zu verstehen. Andernfalls kann es zu Sachschäden, Sicherheitsunfällen und versteckten Gefahren für die persönliche Sicherheit kommen. Sobald Sie dieses Produkt verwenden, wird davon ausgegangen, dass Sie alle Bedingungen und Inhalte dieses Dokuments verstanden, akzeptiert und akzeptiert haben. Der Benutzer verpflichtet sich, für seine Handlungen und alle daraus resultierenden Konsequenzen verantwortlich zu sein. Der Benutzer erklärt sich damit einverstanden, das Produkt nur für legitime Zwecke zu verwenden, und stimmt den gesamten Bedingungen und Inhalten dieses Dokuments sowie allen relevanten Richtlinien oder Richtlinien zu, die AtomStack möglicherweise festlegt.

Sie verstehen und stimmen zu, dass AtomStack Ihnen möglicherweise nicht die Ursache des Schadens oder Unfalls mitteilen und Ihnen den Kundendienst von AtomStack anbieten kann, es sei denn, Sie stellen die Original-Gravur- oder Schnittdateien, die verwendeten Gravur-Softwarekonfigurationsparameter, Betriebssysteminformationen usw. zur Verfügung. Video des Gravur- oder Schneidprozesses und der Arbeitsschritte vor dem Auftreten eines Problems oder Fehlers.

AtomStack haftet nicht für Verluste, die dadurch entstehen, dass der Benutzer das Produkt nicht gemäß diesem Handbuch verwendet, Ohne Anleitung des technischen Personals des Unternehmens ist es dem Benutzer untersagt, die Maschine selbst zu demontieren. Wenn dieses Verhalten auftritt, trägt der Benutzer den vom Benutzer verursachten Schaden.

Atomstack hat das ultimative Recht, das Dokument zu interpretieren, sofern die gesetzlichen Bestimmungen eingehalten werden. Atomstack behält sich das Recht vor, die Nutzungsbedingungen ohne vorherige Ankündigung zu aktualisieren, zu ändern oder zu beenden.

# Einführung in die Graviermaschine



# Teil 4: Montageanleitung

Schritt 1. Montageanleitung der X-Achse und Y-Achse

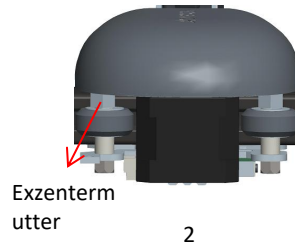
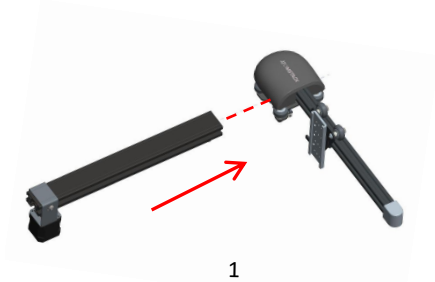
Schritt 2. Montageanleitung der Y-Achsen-Halterung

Schritt 3. Montageanleitung des Synchronriemens

Schritt 4. Montageanleitung des Lasermoduls

Schritt 5. Montageanleitung des Verbindungskabels

## Schritt 1



## Benötigte Komponenten

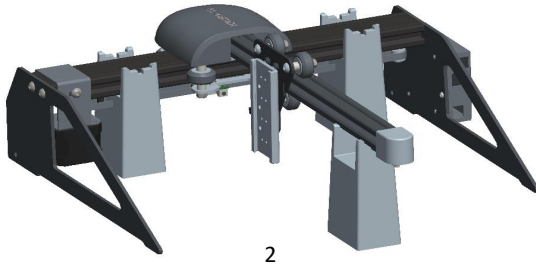
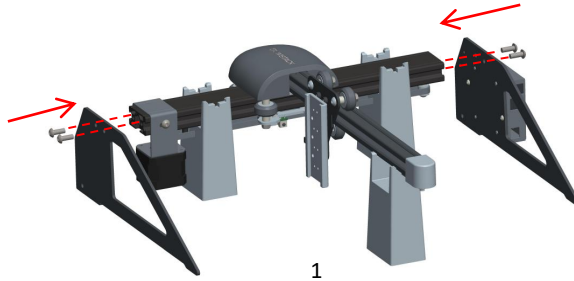


Y-Achsen-  
Komponente

X-Achsen-  
Komponente

1. Schieben Sie die X-Achsen-Komponente entlang der gestrichelten Linie in den Führungsschienenrahmen der Y-Achsen-Komponente gemäß der in der Abbildung gezeigten Richtung. Bevor Sie die X-Achsen-Komponente in den Y-Achsen-Rahmen schieben, lösen Sie die Exzentermutter richtig, um zu vermeiden, dass die Rolle auf der X-Achsen-Komponente beim Einschleiben der X-Achsen-Komponente in den Y-Achsen-Rahmen zu fest sitzt.
2. Nachdem Sie die X-Achsen-Komponente in die Y-Achsen-Führungsschiene geschoben haben, ziehen Sie die Exzentermutter an der X-Achsen-Komponente richtig fest, um ein Lösen der Rolle an der X-Achsen-Komponente zu verhindern.
3. Die Abbildung zeigt die X/Y-Achsenkomponente nach dem Zusammenbau vollständig.

## Schritt 2



### Benötigte Komponenten



Oberer Stützfuß und  
Schaltkastenkomponente



Untere  
Stützfußkomponente



Y-Achsen-Halterungsschrauben  
auf beiden Seiten M5 \* 14



Montageunterlage

1. Wie in Abbildung 1 dargestellt, werden zwei Montageblöcke für die Montage der Y-Achse und ein Montageblock für die Montage der X-Achse verwendet, die jeweils in verschiedene Nuten geklemmt werden, und dann der obere Stützfuß und der untere Stützfuß montiert werden, und der Stützfuß Die Komponenten und M5\*14-Schrauben werden entlang der gestrichelten Linien auf beiden Seiten in die Schraubenlöcher der Y-Achse montiert und die Schrauben mit einem Inbusschraubendreher Nr. 4 festgezogen
2. Abbildung 2 zeigt die komplette Baugruppe, nachdem der obere Stützfuß der Y-Achse und die untere Stützfußbaugruppe und die M5\*14-Schrauben festgezogen wurden.

## Schritt 3

### Benötigte Komponenten



Zylindrische  
Bremsbelag  
komponenten



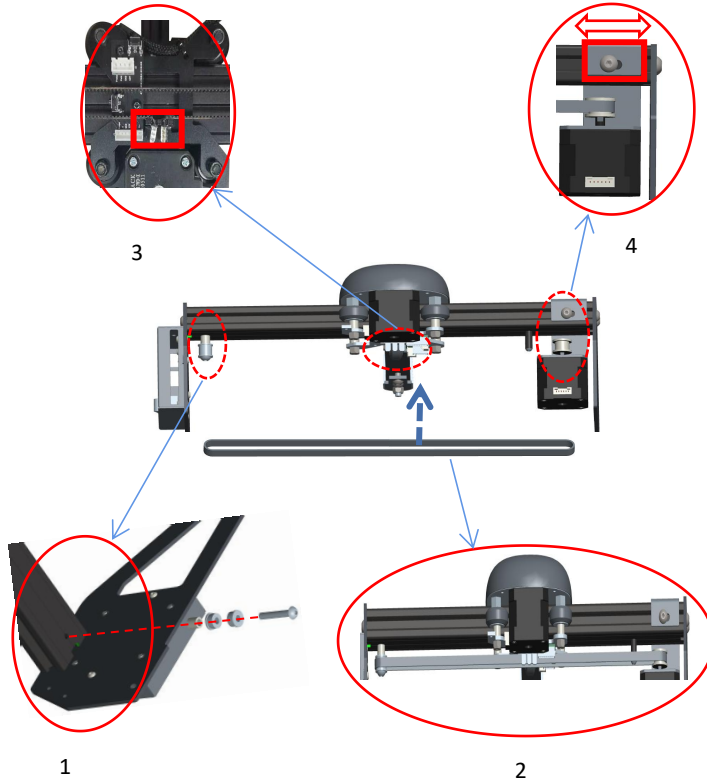
Lager\*2



Schraube M5\*25



Synchronriemen  
komponente



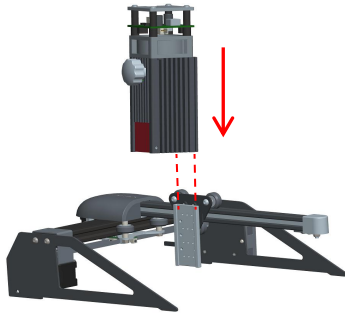
1. Wie in Abbildung 1 gezeigt, installieren Sie das zylindrische Pad, zwei Lager (beachten Sie die Richtung) und M5\*25-Schrauben gleichzeitig entlang der gepunkteten Linie an den Schraubenlöchern des Y-Achsen-Rahmens und ziehen Sie die Schrauben mit einem Nr. 4 . fest Sechskantschraubendreher.

2. Installieren Sie den Zahnriemen wie in Abbildung 2 gezeigt in die beiden Zahnräder in Pfeilrichtung.

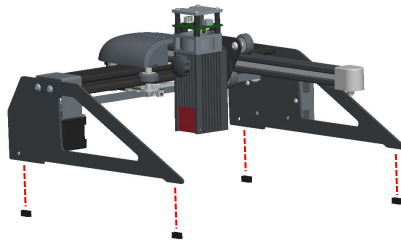
3. Wie in Abbildung 3 gezeigt, müssen nach dem Anbringen des Zahnriemens am Steuerrad die beiden Kupferköpfe in die X-Achsen-Rahmenschnalle eingeschnallt werden.

4. Wie in Abbildung 4 gezeigt. Um zu verhindern, dass der Zahnriemen zu locker wird, lösen Sie bitte die M5\*14-Schrauben auf beiden Seiten des Befestigungsrahmens des Y-Achsen-Motors und bewegen Sie den Befestigungsrahmen nach rechts, um den Zahnriemen zu spannen.

## Schritt 4



1



2

### Benötigte Komponenten



Lasermodul



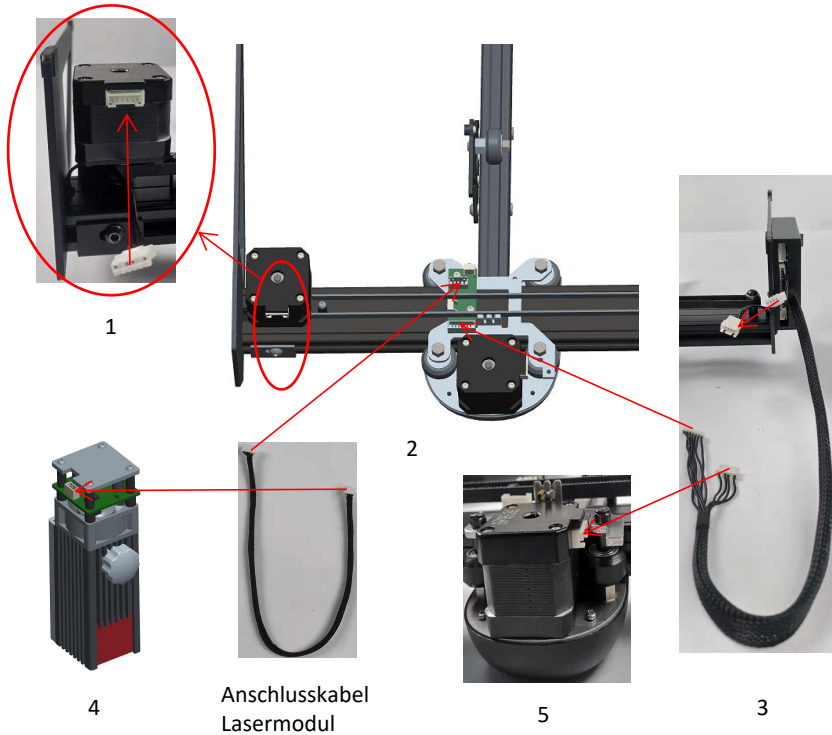
Schaumstoffkomponenten des Fußpolsters

1. Führen Sie das Lasermodul gemäß der Abbildung vertikal entlang der gestrichelten Linie in den X-Achsen-Gleitschienenblock ein und ziehen Sie dann den Torx-Griff fest. Der Torx-Griff kann eingestellt werden, um das Lasermodul nach oben und unten zu bewegen. Die Endposition für die Aufwärtsbewegung des Lasermoduls ist dort, wo die Unterseite des Lasers mit der Unterseite des Schiebers übereinstimmt. Der maximale Bewegungsabstand für das Lasermodul nach unten beträgt 72 mm.

2. Kleben Sie den Schaumstoff gemäß der Abbildung entlang der gestrichelten Linie auf den Ständer des Graviersers.

## Schritt 5

### Kabelkonfektionierung



1. Stecken Sie gemäß der Abbildung die 6PIN-Klemme der Y-Achsen-Verbindungsleitung in die XH6-Schnittstelle des Y-Achsen-Motors in Pfeilrichtung.
2. Stecken Sie die 4PIN-Klemme des Lasermodulkabels gemäß Abbildung in die XH4-Schnittstelle der Adapterplatine und die 7PIN-Klemme des Steuerboxkabels in Pfeilrichtung in die XH7-Schnittstelle der Adapterplatine.
3. Folgen Sie der Pfeilrichtung in der Abbildung. Stecken Sie die 4PIN-Klemme der Steuerbox-Anschlussleitung in die 4PIN-Klemmenschnittstelle der Y-Achsen-Anschlussleitung.
4. Stecken Sie gemäß Abbildung die 3PIN-Klemme des Lasermodulkabels in Pfeilrichtung in die XH3-Schnittstelle des Lasermoduls.
5. Stecken Sie die 6PIN-Klemme des Steuerkastenkabels in die XH6-Klemmenschnittstelle des X-Achsen-Motors in Richtung des in der Abbildung gezeigten Pfeils.



# Software Installation

- 1. Atomstack currently supports LaserGRBL and LightBurn software.
- Windows verwendet die LaserGRBL-Software Hier ist der Download-Link: <http://lasergrbl.com/download/>
- LightBurn-Software für Mac-Systeme. Dies ist der Download-Link: <https://lightburnsoftware.com/pages/trial-version-try-before-you-buy>

➤ 2. Wenn die Graviermaschine und der Computer nicht verbunden werden können, müssen Sie den Treiber aktualisieren. (Weitere Informationen finden Sie in der Bedienungsanleitung.) Klicken Sie in LaserGRBL auf "Extras">. Linstall CH340-Treiber "Aktualisieren und installieren Sie den Treiber, starten Sie den Computer nach dem Update neu und stellen Sie dann eine Verbindung her, wie unten gezeigt.

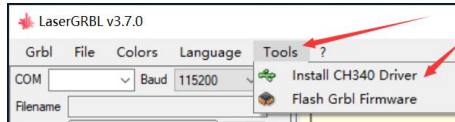


FIG. 1-1

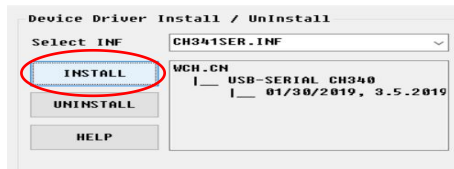
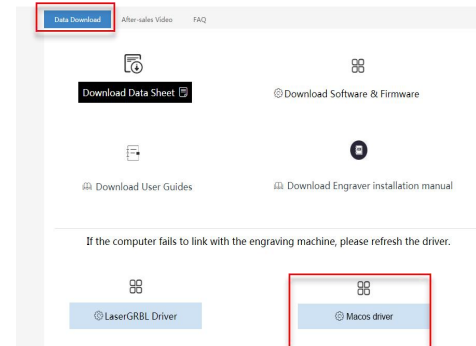
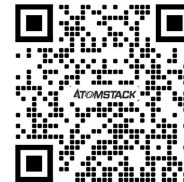


FIG. 1-2

Um den Treiber für macOS zu aktualisieren, melden Sie sich auf der Website <http://atomstack3d.com/a5> an und klicken Sie, um den macOS-Treiber herunterzuladen (siehe Abbildung unten).



Scannen Sie nach einer mehrsprachigen Bedienungsanleitung:



Scanner APP:  
QR-Code-Leser  
/Barcodelesegerät  
oder eine beliebige APP  
mit Scanner

## Teil 5: Wartungsanweisungen und Warnung

Dieses Produkt verfügt über ein hochintegriertes Design und ist wartungsfrei. Wenn das mit diesem Produkt installierte Lasersystem jedoch repariert oder eingestellt werden muss, gehen Sie bitte wie folgt vor:

1. Ziehen Sie das Netzkabel vom Laser ab, damit sich der Laser in einem Stromausfall befindet.

2. Wenn Sie Laserunterstützung zum Einstellen benötigen, bitte:

1. Alle anwesenden Mitarbeiter tragen eine Schutzbrille, OD5 + Schutzglas wird benötigt;

2. Stellen Sie sicher, dass sich keine brennbaren oder explosiven Materialien in der Nähe befinden.

3. Die Position und Richtung des Lasers sind festgelegt, um sicherzustellen, dass sich der Laser beim Debuggen nicht versehentlich bewegt und auf Menschen, Tiere, brennbare, explosive und andere gefährliche und wertvolle Objekte scheint.

4. Schau nicht auf Laser.

5. Richten Sie den Laser nicht auf das Spiegelobjekt, damit die Laserreflexion keine versehentlichen Verletzungen verursacht.

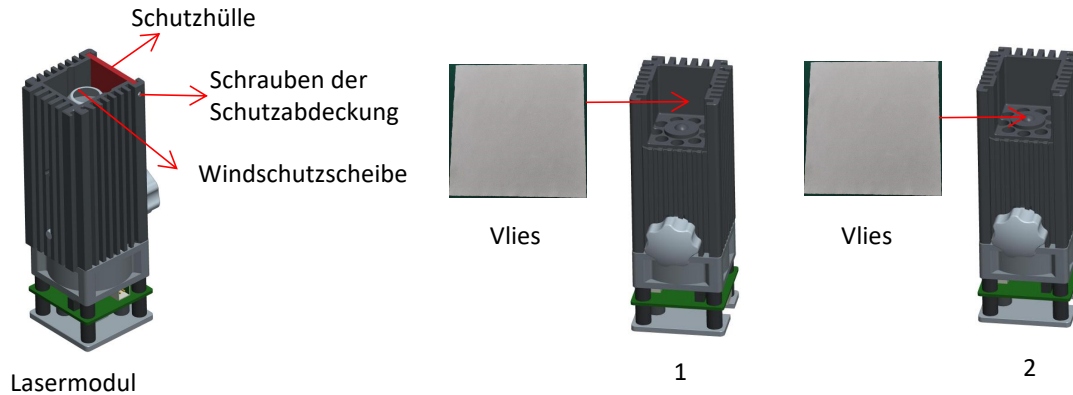
### 3. Reinigung des Lasermoduls

Nach einer gewissen Nutzungszeit des Lasermoduls verbleiben Reste an der Schutzabdeckung, am Kühlkörper und am Laserkopf. Die Reste müssen rechtzeitig gereinigt werden, damit die Nutzung des Lasermoduls nicht beeinträchtigt wird.

Vor der Reinigung müssen Windschutz und Schutzhülle entfernt werden.

1. Bitte reinigen Sie die Schutzabdeckung und den Kühlkörper mit dem Alkohol und dem Vlies, wie in Tabelle 1 gezeigt.

2. Bitte reinigen Sie den Laserkopf mit Alkohol und Vlies wie in Tabelle 2 gezeigt.



## **Teil 6: Vorsichtsmaßnahmen bei häufigen Problemen der Gravurmaschine**

1. Die Verbindung zwischen der Software und dem Gerät muss den richtigen COM-Anschluss auswählen, die Baudrate auswählen: 115200, um zu überprüfen, ob die Computerschnittstelle und die USB-Verbindung lose sind.
2. Überprüfen Sie vor dem Gravieren, ob jeder Mechanismus locker ist (ob der Zahnriemen, die exzentrische Säule des Rollen- und des Laserkopfteils locker oder geschüttelt sind).
3. Stellen Sie den Fokus richtig ein und vergewissern Sie sich, dass der Abstand vom Ende der Laserschutzabdeckung zur Gravur 2 mm beträgt.
4. Die LaserGRBL / LightBurn-Software kann anhand der Parametertabelle im entsprechenden Handbuch verschiedene Materialien gravieren und schneiden. Die Gravur von Spiegelmetall erfordert eine manuelle Schwärzung der Oberfläche.



## Kundendienst:

Ø Detaillierte Garantiebestimmungen finden Sie auf unserer offiziellen Website unter:

[www.atomstack3d.com](http://www.atomstack3d.com)

Ø Für technischen Support und Service von Laser Engraver senden Sie bitte eine E-Mail an:

[support@atomstack3d.com](mailto:support@atomstack3d.com)

**Hersteller:** Shenzhen AtomStack Technologies Co., Ltd.

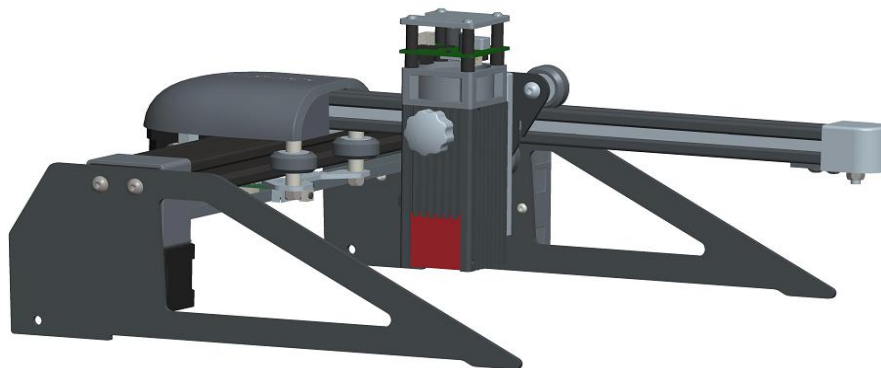
AdressE: AB301,New Chabridge Industrial Park,No.3,Baolong 6th Rd.,Longgang Dist,Shenzhen,Guangdong,CHINA 518116

Scannen Sie den Code, um in die Austauschgruppe der Graviermaschine einzutreten:



Scanner APP:  
QR-Code-Leser  
/Barcodelesegerät  
oder eine beliebige APP  
mit Scanner

# ATOMSTACK P7 Machine de gravure laser série Manuel d'installation



- English
- Deutsche
- Français

l'image est pour référence seulement, le produit réel prévaudra

CE

FC

RoHS

FDA



**MADE IN CHINA**



# Partie 1: Déclaration de sécurité avant l'installation

**Avant d'utiliser la gravure laser, veuillez lire attentivement ce guide de sécurité, il mentionne les situations qui nécessitent une attention particulière et inclut des avertissements de pratiques dangereuses qui peuvent endommager votre propriété ou même mettre en danger votre sécurité personnelle.**

1. Ce produit est un composant du système de gravure laser, doit être installé chez d'autres fabricants de graveur laser pour utilisation. Et le produit appartient à des produits laser de classe 4, le système laser lui-même doit répondre aux exigences de la dernière version de la norme CEI 60825-1, sinon l'utilisation du produit est interdite.
2. Votre graveur laser doit avoir un boîtier de protection qui, lorsqu'il est en place, empêche l'accès humain au rayonnement laser.
3. Si un boîtier de protection est équipé d'un panneau d'accès qui permet un accès "de plain-pied", alors: a) des moyens doivent être prévus pour que toute personne à l'intérieur du boîtier de protection puisse empêcher l'activation d'un danger laser équivalent à la classe 3B ou Classe 4. b) un dispositif d'avertissement doit être situé de manière à fournir un avertissement adéquat de l'émission d'un rayonnement laser équivalent à la classe 3R dans la gamme de longueurs d'onde inférieure à 400 nm et supérieure à 700 nm, ou d'un rayonnement laser équivalent à la classe 3B ou à la classe 4 à toute personne qui pourrait se trouver dans le boîtier de protection. c) lorsque l'accès «sans rendez-vous» pendant le fonctionnement est prévu ou raisonnablement prévisible, émission d'un rayonnement laser équivalent à la classe 3B ou la classe 4 alors qu'une personne est présente à l'intérieur du boîtier de protection d'un produit de classe 1, classe 2 ou classe 3R doit être empêchée par des moyens techniques. NOTE Methods to prevent human access to radiation when persons are inside the protective housing can include pressure sensitive floor mats, infrared detectors, etc.

NOTE Les méthodes pour empêcher l'accès humain aux rayonnements lorsque des personnes se trouvent à l'intérieur du boîtier de protection peuvent inclure des tapis de sol sensibles à la pression, des détecteurs infrarouges, etc.

4. Le laser lui-même a un couvercle de protection, le couvercle de protection est fixé par des vis. Lorsque le laser est installé sur le graveur laser, le couvercle de protection doit être vérifié pour être verrouillé de manière fiable et ne peut pas être retiré à l'état sous tension.
5. Le boîtier du graveur laser doit avoir une fonction de verrouillage. Lorsque le boîtier est ouvert ou retiré, le laser peut être automatiquement désactivé.
6. Le graveur laser doit avoir un bouton d'arrêt d'urgence, qui peut immédiatement arrêter la sortie du laser lorsqu'il est pressé dans des circonstances inattendues.
7. Le graveur laser doit avoir un bouton de réinitialisation, qui peut reprendre le travail à condition de confirmer la sécurité après avoir levé le verrouillage ou l'arrêt d'urgence.
8. Le graveur laser doit utiliser des clés physiques, un dongle, un système de mot de passe et d'autres moyens de gérer et de contrôler, pour empêcher le personnel sans opération de formation à la sécurité de ce type d'équipement.
9. Sur le graveur laser, toute fenêtre ou canal qui peut observer activement ou recevoir passivement le rayonnement laser doit être mis en place des marques d'avertissement.
10. Si le laser brûle la peau ou les yeux, veuillez vous rendre immédiatement dans un hôpital voisin pour un examen et un traitement.



## Partie 2 : Déclaration de sécurité de l'utilisateur

La lumière laser peut endommager les yeux et la peau humains. N'exposez pas les yeux ou la peau directement à la lumière laser. Ce produit laser a une lentille optique et émet un faisceau laser collimaté. La lumière de ce produit, à la fois directe et réfléchi, est très nocive car elle peut se propager sur une longue distance tout en conservant une densité optique élevée. Lors de la manipulation du produit, porter des lunettes de sécurité appropriées (OD5 +) pour protéger les yeux de la lumière laser, y compris la lumière réfléchi et la lumière parasite. La lumière réfléchi et parasite qui se répand dans une zone non intentionnelle doit être atténuée et / ou absorbée.

### 2.1 Sécurité laser

Nous avons installé un bouclier laser sur le laser, le bouclier peut filtrer en grande partie la réflexion diffuse du point laser. Cependant, lorsque vous utilisez une machine de gravure laser, il est recommandé de porter des lunettes de protection laser. Évitez l'exposition de la peau aux faisceaux laser de type 4, en particulier à courte distance. Les adolescents doivent être surveillés par leurs parents lors du processus d'utilisation. Ne touchez pas le module de gravure laser lorsque la machine est allumée.

### 2.2 Sécurité incendie

Parce que la découpe brûle le substrat, un faisceau laser à haute intensité génère des températures extrêmement élevées et beaucoup de chaleur. Certains matériaux peuvent prendre feu pendant la découpe, créant des gaz et des fumées à l'intérieur de l'équipement. Une petite flamme apparaît généralement ici lorsqu'un faisceau laser frappe le matériau. Il se déplacera avec le laser et ne restera pas allumé lorsque le laser passe. Veuillez ne pas laisser la machine sans surveillance pendant le processus de sculpture. Après utilisation, assurez-vous de nettoyer les débris, les débris et les matériaux inflammables dans la découpe laser. Gardez un extincteur en état de marche à proximité en tout temps. Sécurité contre la fumée ou les polluants atmosphériques. Lorsque des machines de gravure laser sont utilisées, de la fumée, de la vapeur, des particules et des matériaux potentiellement hautement toxiques (plastiques et autres matériaux combustibles) sont produits à partir du matériau. Ces fumées ou polluants atmosphériques peuvent être dangereux pour la santé.

### **2.3 Sécurité des matériaux**

Ne pas graver des matériaux aux propriétés inconnues. Matériaux recommandés: bois, bambou, cuir, plastique, tissu, papier, acrylique opaque, verre. Matériaux déconseillés: métal, pierres précieuses, matériaux transparents, matériaux réfléchissants etc.

### **2.4 Sécurité d'utilisation**

Utilisez le graveur uniquement en position horizontale et assurez-vous qu'il a été solidement fixé pour éviter les incendies causés par un déplacement accidentel ou une chute de l'établi pendant le travail. Il est interdit de pointer le laser vers des personnes, des animaux ou tout objet combustible, qu'il se trouve dans condition de travail ou non.

### **2.5 Sécurité électrique**

Pour éviter les catastrophes accidentelles telles que les incendies et les chocs électriques, le graveur lase fournit un adaptateur secteur avec un fil de terre. Branchez la fiche d'alimentation dans la prise de courant avec un fil de terre lorsque vous utilisez le graveur laser.

### **2.6 sicurezza ambientale**

Veillez vous assurer que le lieu de travail doit être dégagé lors de l'assemblage de la gravure et de la découpe de matériaux inflammables ou explosifs entourant l'équipement. Vous devez placer une planche de métal sous le fond lors de la gravure ou de la découpe.

## Partie 3: Clause de non-responsabilité et avertissement

Ce produit n'est pas un jouet et ne convient pas aux personnes de moins de 15 ans. Ne laissez pas les enfants toucher le module laser. Soyez prudent lorsque vous utilisez des scènes avec des enfants.

Ce produit est un module laser, visitez <http://www.atomstack3d.com/laserengraverdownload> pour obtenir le «manuel d'utilisation» complet et les dernières instructions et avertissements. Shenzhen AtomStack Technologies Co., Ltd. (Atomstack) se réserve le droit de mettre à jour cette clause de non-responsabilité et ces consignes d'utilisation en toute sécurité.

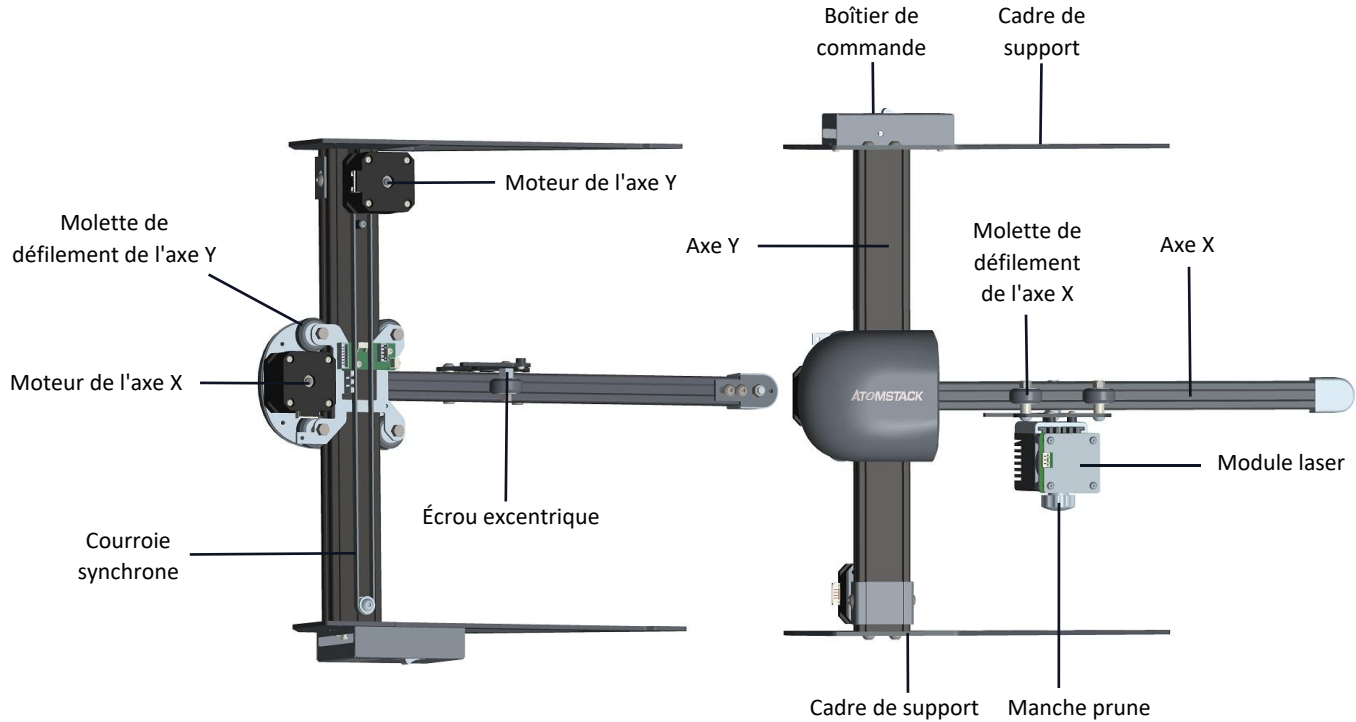
Veuillez lire attentivement ce document avant d'utiliser le produit pour comprendre vos droits légaux, vos responsabilités et vos instructions de sécurité; Sinon, cela peut entraîner une perte de propriété, un accident de sécurité et un danger caché de sécurité personnelle. Une fois que vous utilisez ce produit, vous serez réputé avoir compris, accepté et accepté toutes les conditions et le contenu de ce document. L'utilisateur s'engage à être responsable de ses actes et de toutes les conséquences qui en découlent. L'utilisateur accepte d'utiliser le produit uniquement à des fins légitimes et accepte l'intégralité des conditions et du contenu de ce document et toutes les politiques ou directives pertinentes qu'AtomStack peut établir.

Vous comprenez et acceptez qu'AtomStack peut ne pas être en mesure de vous fournir la cause du dommage ou de l'accident et de vous fournir le service après-vente d'AtomStack à moins que vous ne fournissiez les fichiers de gravure ou de découpe d'origine, les paramètres de configuration du logiciel de gravure utilisés, les informations du système d'exploitation, vidéo du processus de gravure ou de découpe et étapes opérationnelles avant l'apparition d'un problème ou d'une panne.

AtomStack n'est pas responsable de toutes les pertes résultant de la non-utilisation du produit par l'utilisateur conformément à ce manuel, Sans les conseils du personnel technique de l'entreprise, il est interdit aux utilisateurs de démonter la machine par eux-mêmes. Si ce comportement se produit, la perte causée par l'utilisateur sera supportée par l'utilisateur.

Atomstack a le droit ultime d'interpréter le document, sous réserve de conformité légale. Atomstack se réserve le droit de mettre à jour, de modifier ou de résilier les Conditions sans préavis.

# Présentation de la machine à graver



# Partie 4 : Instructions d'assemblage

Étape 1. Instructions d'assemblage de l'axe X et de l'axe Y

Étape 2. Instructions d'assemblage du support de l'axe Y

Étape 3. Instructions d'assemblage de la courroie synchrone

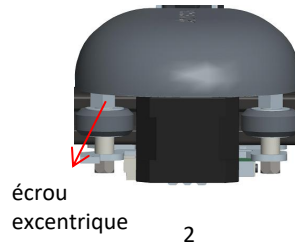
Étape 4. Instructions d'assemblage du module laser

Étape 5. Instructions d'assemblage du câble de connectivité

# Étape 1



1



écrou  
excentrique

2



3

## Composants requis

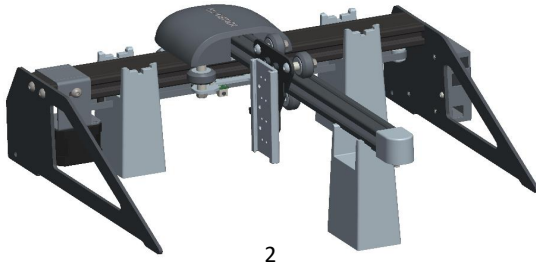
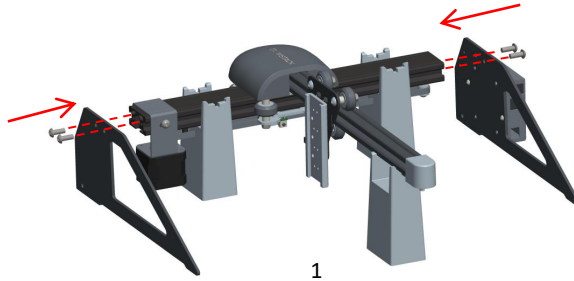


Composant  
de l'axe Y

Composant  
de l'axe X

1. Poussez le composant de l'axe X le long de la ligne pointillée dans le cadre du rail de guidage du composant de l'axe Y selon la direction indiquée sur la figure. Avant de pousser le composant de l'axe X dans le cadre de l'axe Y, desserrez correctement l'écrou excentrique pour éviter que le rouleau du composant de l'axe X ne soit trop serré lorsque vous poussez le composant de l'axe X dans le cadre de l'axe Y.
2. Après avoir poussé le composant de l'axe X dans le rail de guidage de l'axe Y, serrez correctement l'écrou excentrique sur le composant de l'axe X pour empêcher le rouleau du composant de l'axe X de se desserrer.
3. La figure affiche complètement le composant de l'axe X/Y après l'assemblage.

## Étape 2



### Composants requis



Pied de support supérieur  
et composant du boîtier  
de commande



Composant du pied  
d'appui inférieur



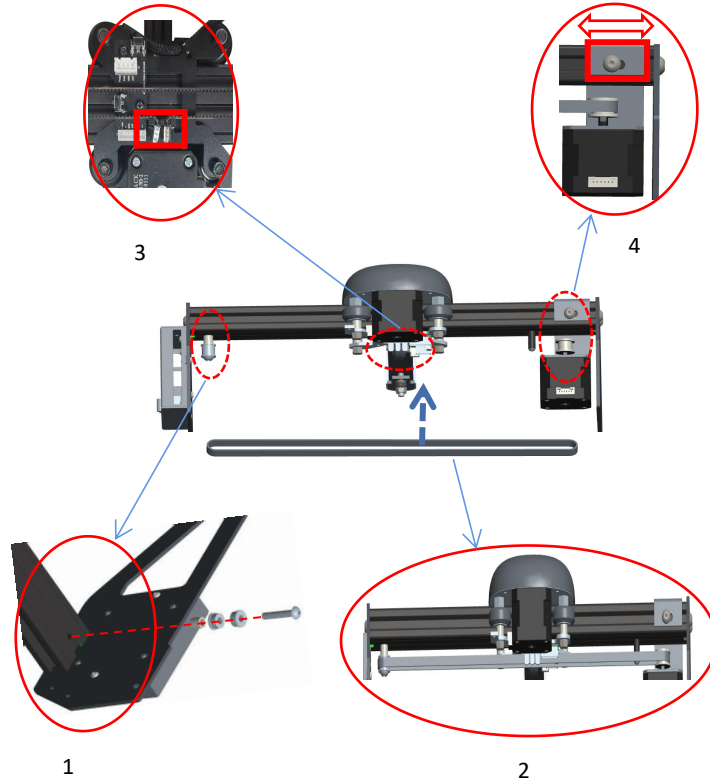
Vis du support de l'axe Y  
des deux côtés M5 \* 14



Patin de montage

1. Comme le montre la figure 1, deux blocs d'assemblage sont utilisés pour installer l'axe Y et un bloc d'assemblage est utilisé pour installer l'axe X. Ils sont respectivement serrés dans différentes rainures, puis le pied de support supérieur et le pied de support inférieur sont assemblés et le pied de support. Les composants et les vis M5\*14 sont assemblés dans les trous de vis de l'axe Y le long des lignes pointillées des deux côtés, et serrez les vis avec un tournevis Allen n°4
2. La figure 2 montre l'assemblage complet une fois que le pied de support supérieur et le pied de support inférieur de l'axe Y et les vis M5\*14 sont serrés.

## Étape 3



### Composants requis



Composants de  
patin cylindrique



Roulement \* 2



Vis M5\*25



Composant de  
courroie synchrone

1. Comme le montre la figure 1, installez le patin cylindrique, deux roulements (notez la direction) et des vis M5 \* 25 dans les trous de vis du cadre de l'axe Y le long de la ligne pointillée en même temps, et serrez les vis avec un n° 4 tournevis à six pans creux.

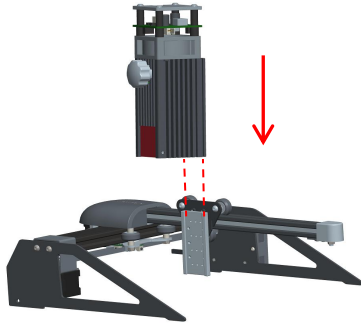
2. Comme le montre la figure 2, installez la courroie de distribution dans les deux roues de distribution dans le sens de la flèche.

3. Comme le montre la figure 3, une fois la courroie de distribution installée sur la roue de distribution, les deux têtes en cuivre doivent être bouclées dans la boucle du cadre de l'axe X.

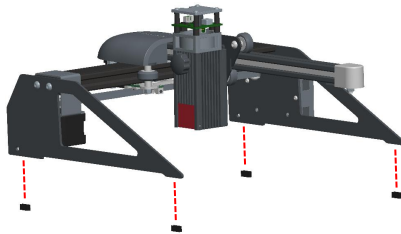
4. Comme le montre la figure 4. Pour éviter que la courroie de distribution ne soit trop lâche, veuillez desserrer les vis M5 \* 14 des deux côtés du cadre de fixation du moteur de l'axe Y et déplacer le cadre de fixation vers la droite pour tendre la courroie de distribution.



## Étape 4



1



2

### Composants requis



module laser

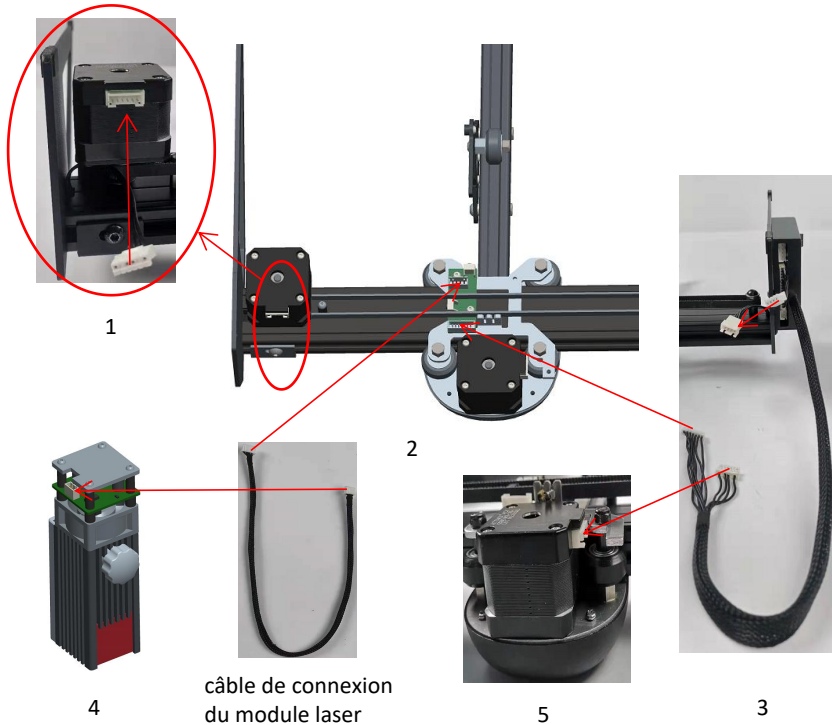


Composants de  
mousse de coussin  
de pied

1. Selon la figure, insérez le module laser dans le bloc de glissière de l'axe X verticalement le long de la ligne pointillée, puis serrez la poignée torx. La poignée torx peut être ajustée pour déplacer le module laser de haut en bas. La position limite pour que le module laser se déplace vers le haut est l'endroit où le bas du laser est au niveau du bas du curseur. La distance maximale de déplacement vers le bas pour le module laser est de 72 mm.
2. Selon la figure, collez la mousse le long de la ligne pointillée sur le support du graveur.

## Étape 5

### assemblage de câbles



1. Selon la figure, insérez la borne 6PIN de la ligne de connexion de l'axe Y dans l'interface XH6 du moteur de l'axe Y dans le sens de la flèche.
2. Selon la figure, insérez la borne 4PIN du câble du module laser dans l'interface XH4 de la carte adaptateur et insérez la borne 7PIN du câble du boîtier de commande dans l'interface XH7 de la carte adaptateur dans le sens de la flèche.
3. Suivez le sens de la flèche sur la figure. Insérez la borne 4PIN de la ligne de connexion du boîtier de commande dans l'interface de borne 4PIN de la ligne de connexion de l'axe Y.
4. Selon la figure, insérez la borne 3PIN du câble du module laser dans l'interface XH3 du module laser dans le sens de la flèche.
5. Insérez la borne 6PIN du câble du boîtier de commande dans l'interface de borne XH6 du moteur de l'axe X dans le sens de la flèche illustrée sur la figure.

# Installation du logiciel

➤ 1. Atomstack prend actuellement en charge les logiciels LaserGRBL et LightBurn.

➤ Windows utilise le logiciel LaserGRBL Voici le lien de téléchargement: <http://lasergrbl.com/download/>

➤ Logiciel LightBurn pour les systèmes Mac. Ceci est le lien de téléchargement: <https://lightburnsoftware.com/pages/trial-version-try-before-you-buy>

➤ 2. Si vous ne parvenez pas à connecter la machine de gravure et l'ordinateur, vous devez mettre à jour le pilote. (Pour plus d'informations, consultez le manuel d'instructions.) Dans LaserGRBL, cliquez sur "Outils". Pilote Linstall CH340 "Mettez à jour et installez le pilote, redémarrez l'ordinateur après la mise à jour, puis connectez-vous comme indiqué dans la figure ci-dessous.

Pour mettre à jour le pilote macOS, connectez-vous au site Web <http://atomstack3d.com/a5> et cliquez pour télécharger le pilote macOS comme indiqué ci-dessous

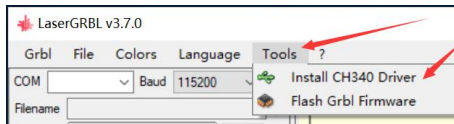


FIG. 1-1

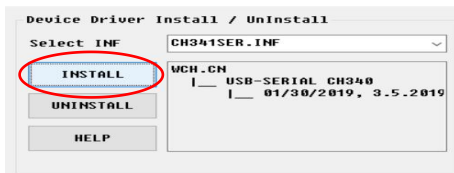
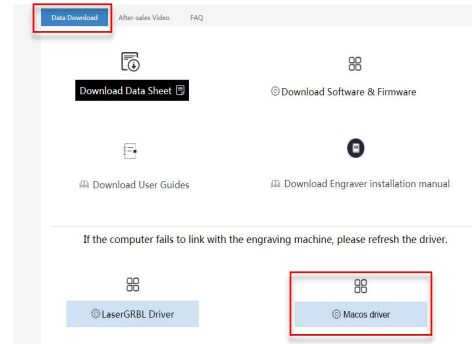


FIG. 1-2



Rechercher un manuel d'instructions multilingue:



APP du scanner:  
Lecteur de code QR  
/ Scanner de codes-barres  
Ou n'importe quelle application avec scanner

# Partie 5:Instructions d'entretien et avertissement

Ce produit utilise une conception hautement intégrée et ne nécessite aucun entretien. Cependant, si le système laser installé avec ce produit doit être réparé ou réglé, veuillez:

1.Débranchez le cordon d'alimentation du laser, de sorte que le laser soit en état de panne de courant;

2.Si vous avez besoin d'une assistance laser pour le réglage, veuillez:

1.Tout le personnel présent porte des lunettes de protection, un verre de protection OD5 + est nécessaire;

2.Assurez-vous qu'il n'y a pas de matériaux inflammables ou explosifs à proximité;

3.La position et la direction du laser sont fixées pour garantir que le laser ne se déplacera pas accidentellement et ne brillera pas sur les personnes, les animaux, les objets inflammables, explosifs et autres objets dangereux et précieux pendant le débogage.

4.Ne regardez pas les lasers.

5.Ne dirigez pas le laser sur l'objet miroir, de peur que la réflexion du laser ne provoque des blessures accidentelles.

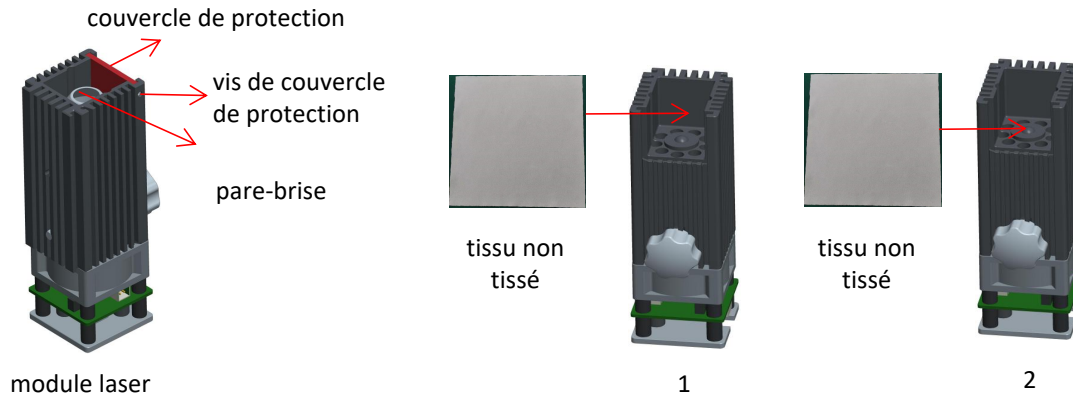
### 3. Nettoyage du module laser

Après une période d'utilisation du module laser, il restera des restes au niveau du capot de protection, du dissipateur thermique et de la tête laser. Les restes doivent être nettoyés à temps pour ne pas affecter l'utilisation du module laser.

Le pare-brise et la housse de protection doivent être retirés avant le nettoyage.

1. Veuillez nettoyer le couvercle de protection et le dissipateur de chaleur avec l'alcool et le tissu non tissé indiqués dans le tableau 1.

2. Veuillez nettoyer la tête laser avec l'alcool et le tissu non tissé indiqués dans le tableau



## **Partie 6: Précautions pour les problèmes courants avec la machine de gravure**

1. La connexion entre le logiciel et l'appareil doit sélectionner le bon port COM, sélectionner le débit en bauds: 115200 pour vérifier si l'interface de l'ordinateur et la connexion USB sont lâches.
2. Avant de graver, veuillez vérifier si chaque mécanisme est lâche (si la courroie de distribution, la colonne excentrique du rouleau et les composants de la tête laser sont desserrés ou secoués).
3. Ajustez correctement la mise au point et assurez-vous que la distance entre l'extrémité du couvercle de protection laser et la gravure est de 2 mm.
4. Le logiciel LaserGRBL / Lightburn peut utiliser le tableau des paramètres du manuel correspondant pour graver et découper divers matériaux. La gravure du métal du miroir nécessite un noircissement manuel de la surface.





## Service Clients:

Ø Pour une politique de garantie détaillée, veuillez visiter notre site Web officiel à:

[www.atomstack3d.com](http://www.atomstack3d.com)

Ø Pour le support technique et le service de machine de gravure laser, veuillez envoyer un courriel à:

[support@atomstack3d.com](mailto:support@atomstack3d.com)

**Fabricant:** Shenzhen AtomStack Technologies Co., Ltd.

Adresse: AB301, nouveau parc industriel de Chabridge, n ° 3, Baolong 6th Rd., Longgang Dist, Shenzhen, Guangdong, CHINE 518116

Scannez le code pour entrer dans le groupe d'échange de machines à graver:



APP du scanner:  
Lecteur de code QR  
/ Scanner de codes-barres  
ou toute application avec  
scanner