



TRACY GLOVER

OBJECTS AND LIGHTING

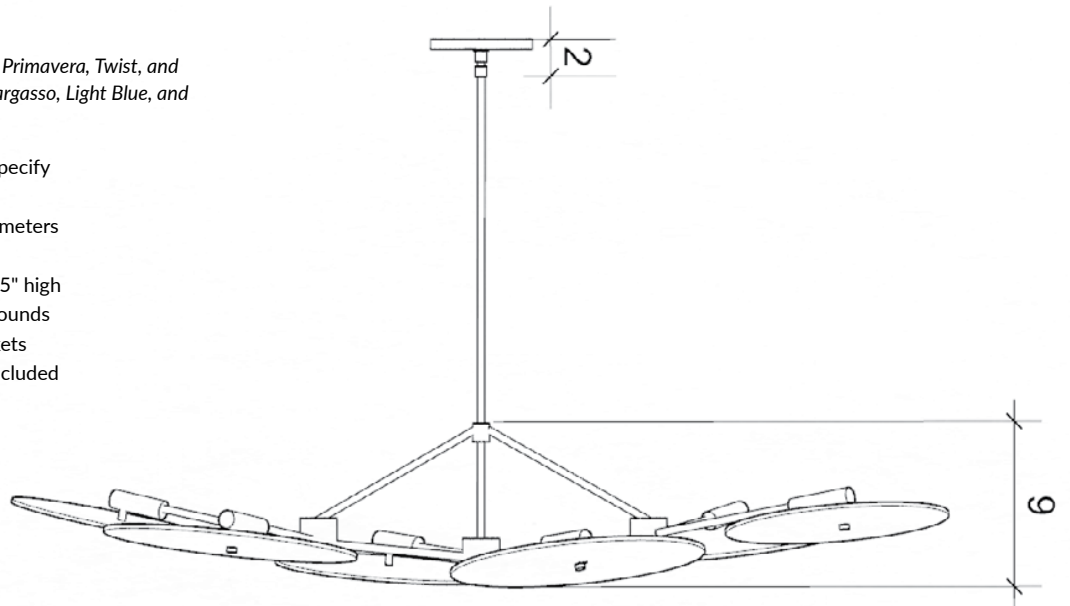
Constellation CHANDELIER



Description

Shown: 12" diameter Rondels in Lustre, Primavera, Twist, and Wrap patterns; Tourmaline, Sea Blue, Sargasso, Light Blue, and Celery colors; with Brushed Brass finish

- Fixture is 54" wide x 36" deep, or specify
- 8" minimum height
- Glass available 10", 12" and 14" diameters
- Other configurations available
- Canopy dimensions, 5" diameter x .5" high
- Fixture weight, approximately 35 pounds
- 40watt max candelabra-based sockets
- Six 2.5watt dimmable LED bulbs, included
- 120volt fixture
- UL listed



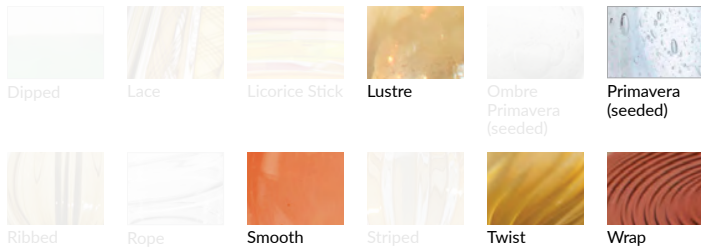
Options Grid CONSTELLATION CHANDELIER



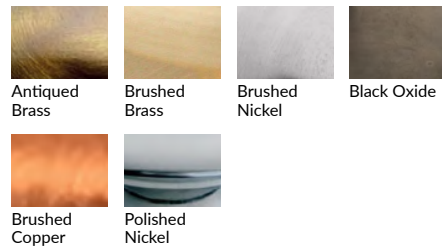
Please use options grid to specify pattern, color, colorway, metal finish, cord color, and glass shape when appropriate.

Grayed-out options are not available for this product.

Pattern Choices



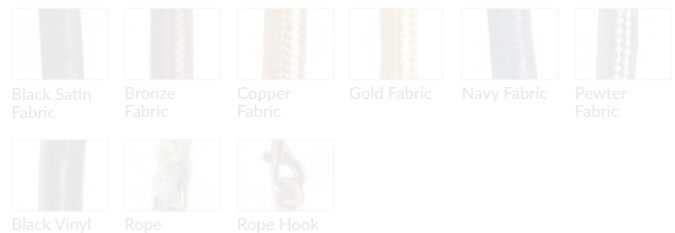
Finish Choices



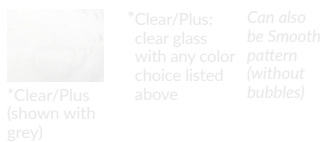
Color Choices for Dipped, Primavera, Ribbed, Rope, Smooth, Twist, and Wrap patterns



Cord Color Choices



Colorway Choices for Ombre pattern, Smooth or in Primavera



Diffuser Shape Choices



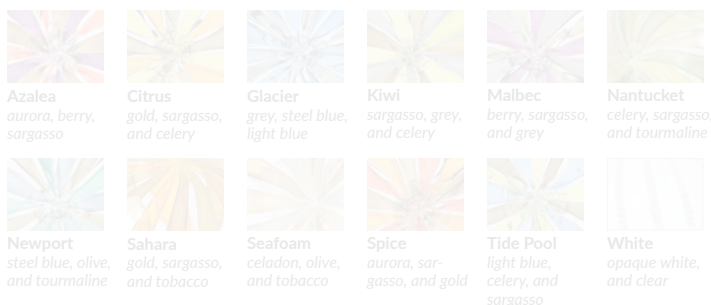
Colorway Choices for Licorice Stick pattern



Shape Choices for Metropolis Socket Covers



Colorway Choices for Striped pattern



Shape Choices for Sconce Backplate



Colorway Choices for Lace pattern



Color Choices for Lustre pattern

