

CONTENTS


Concerning these instructions, safety instructions, technical data, disposal	1
Dimension diagram, installation position, operating conditions	2
Shipping units, Assembly: Installation Tube	3
Assembly: electrical installation and electrical connection	4
Controller coding switch settings, Installation of LED light in the switch	5
Assembly: Fan insert, interior cover	6
Assembly: exterior grill, filter indicator reset + summer vent mode operation	8
Controller dial settings, operation, and closing the inner screen	9

ABOUT THIS MANUAL


- Read this manual carefully and completely before assembly. Comply with the general safety instructions symbols with information in the text.
- Hand out this manual to the user (tenant, proprietors, property management, etc.) after completing installation.

Symbols in this manual


 This symbol is a danger warning in connection with risk of injury or product malfunction

 This symbol is a danger warning in connection with risk of injury from electricity

Safety instructions

 Beware! Any assembly work to the ventilation device may only be carried out after disconnecting all phases of supply currents! The ventilation device is fitted with protective insulation according to Protection Class II, the protection connection is superfluous!

 Warning! Electrical wiring and connections should be made by licensed electrician.

 Attention! This device may not be operated (including filter replacements/cleaning) by children and persons who are not able to operate the device safely due to their abilities, or Lack of knowledge.

TECHNICAL DATA

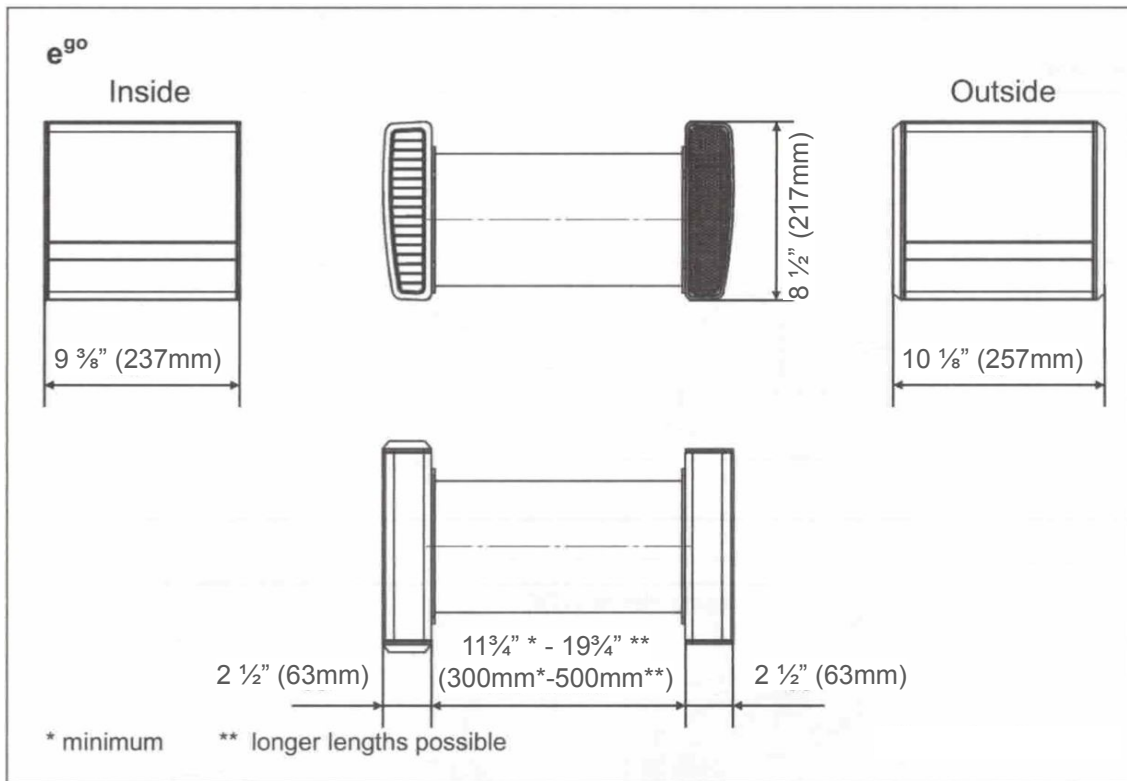
Supply voltage: 110V- 50/60hz
Device voltage: 12VDC SELV
Protection Class: IP ss
Airflow volume: 3 / 6 / 10 / 12 cfm in heat recovery operation, 26 cfm in exhaust mode (without heat recovery).

DISPOSAL

Dispose of the packaging correctly sorted. If you want to dispose of the device, abide by the current rules and regulations. The applicable municipal office will provide information.



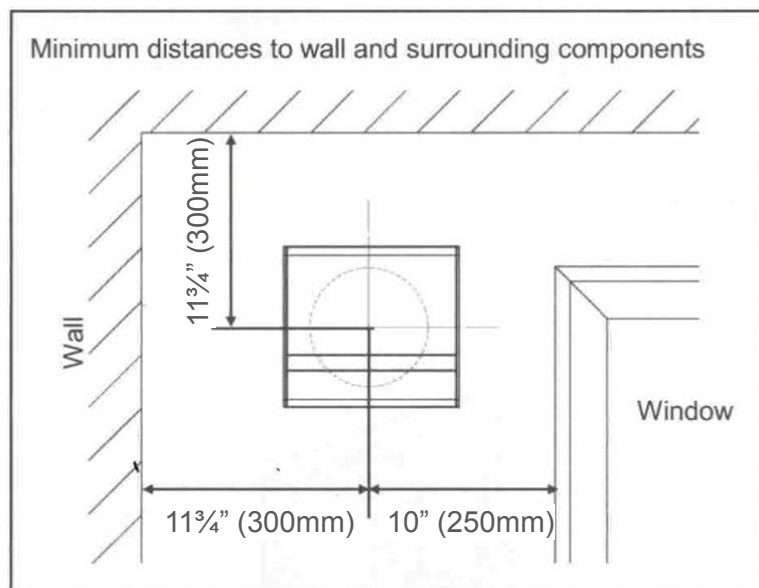
DIMENSIONAL DIAGRAMS - dimensions in inches (mm)



INSTALLATION POSITION

The two fans within the e^{GO} always operate in opposite directions, providing supply and exhaust air simultaneously.

Minimum distances to the wall and surrounding components must be observed to ensure unobstructed air flow without inadmissible mixing of supply and exhaust air.



OPERATING CONDITIONS

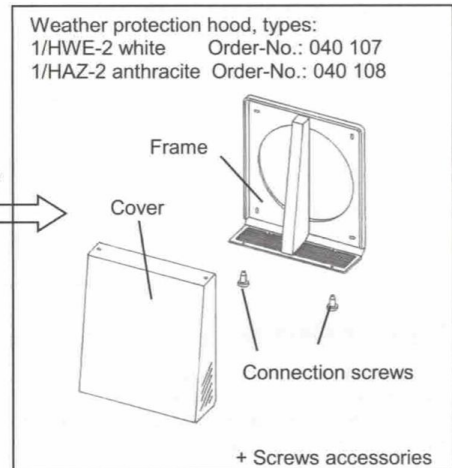
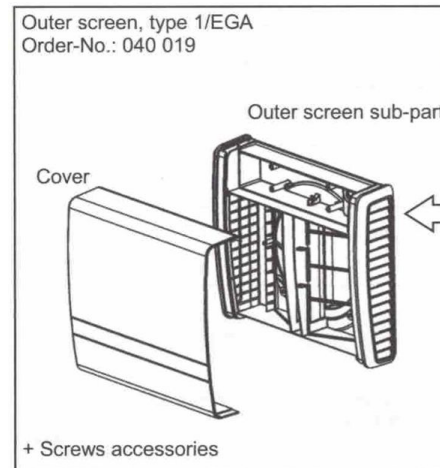
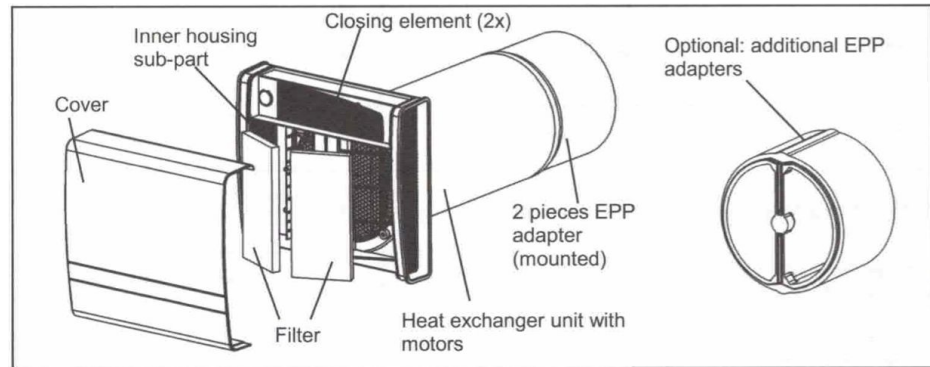
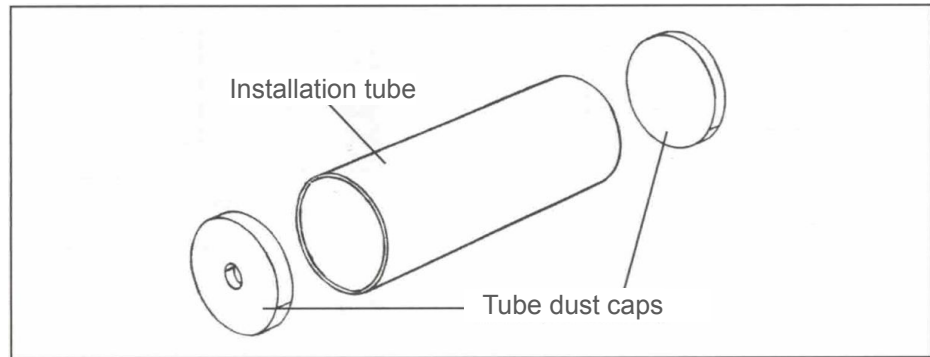
Rated operating conditions: 5°F to 104°F (-15°C to +40°C).

Formation of condensation during the heating season is possible on grill. If these operation limits are exceeded, switch off the device and close the inside panel using the provided red magnetic closing elements and ensure supply of fresh air via window ventilation. The e^{GO} can be used in heat recovery mode up to relative humidity up to 65% in the interior room area. Switch to exhaust only operation if RH exceeds 65% and is higher inside than outside.

SHIPPING UNITS

Check the shipment to ensure all items ordered have been received. Note any missing items or damages to 475 ASAP and include photos if possible.

Contact: info@475.supply



ASSEMBLY – INSTALLATION TUBES

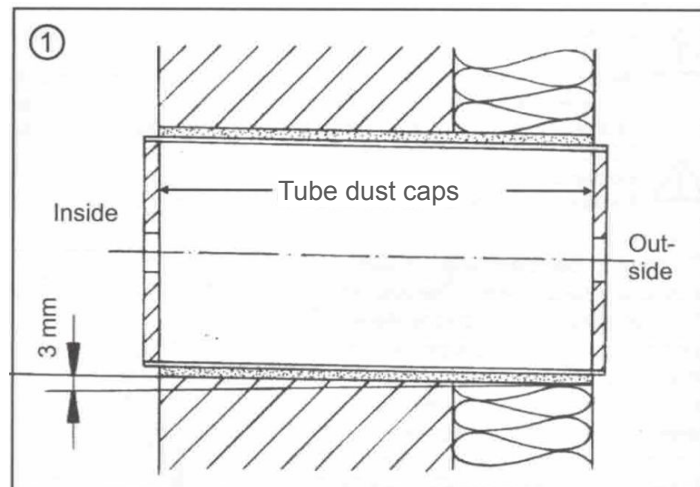
Make the wall openings for the assembly pipes (e.g. by coring, core bit \varnothing 6.37"/162mm).

If necessary, shorten the pipe to the desired installation length:

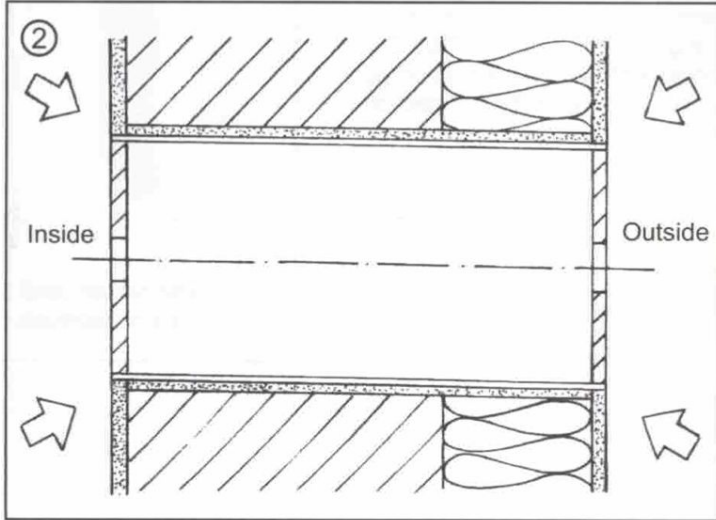
e^{GO} minimum 11 3/4" (300 mm)

Take care that the pipe extends on both sides for finishes (sheetrock plaster, siding) with finishes installed flush with the pipe.

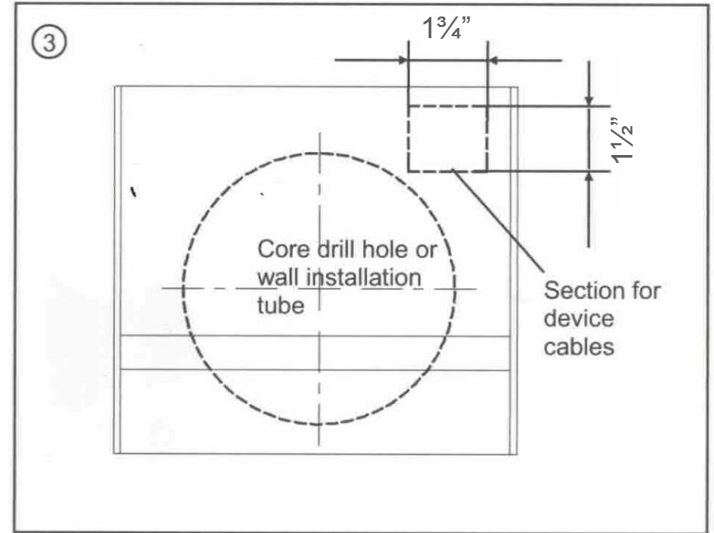
Insert the pipe, with a min. 3/8:12 (3mm) pitch.



ASSEMBLY – INSTALLATION PIPES (continued)



Airseal the tube with ROFLEX 150 gaskets, TESCON tapes or other airtight solutions. Apply exterior finishes and waterproofing with ROFLEX/TESCON tape combination or other construction type specific measures.



Prepare the cable for the device connection in the designated section. Cable length ~ 4" - 4 3/4" (100mm - 120mm). Use the drilling template included in the e^{GO} box.

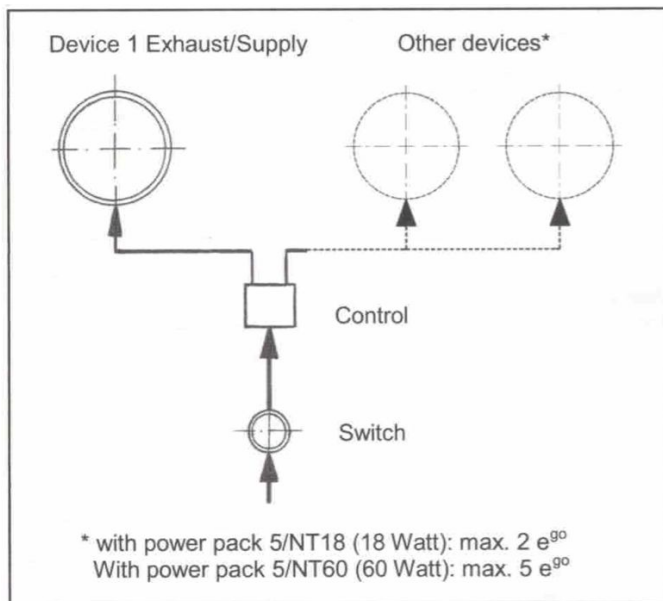
ASSEMBLY - ELECTRIC INSTALLATION AND ELECTRIC CONNECTION



Safety Instructions: Beware! Any assembly work to the ventilation device may only be carried out when all of the supply current has been disconnected! Make sure that all electrical circuits are turned off. All controllers of this ventilation system should be installed on a AFCI protected circuit.



Electric connection only by a licensed electrician.



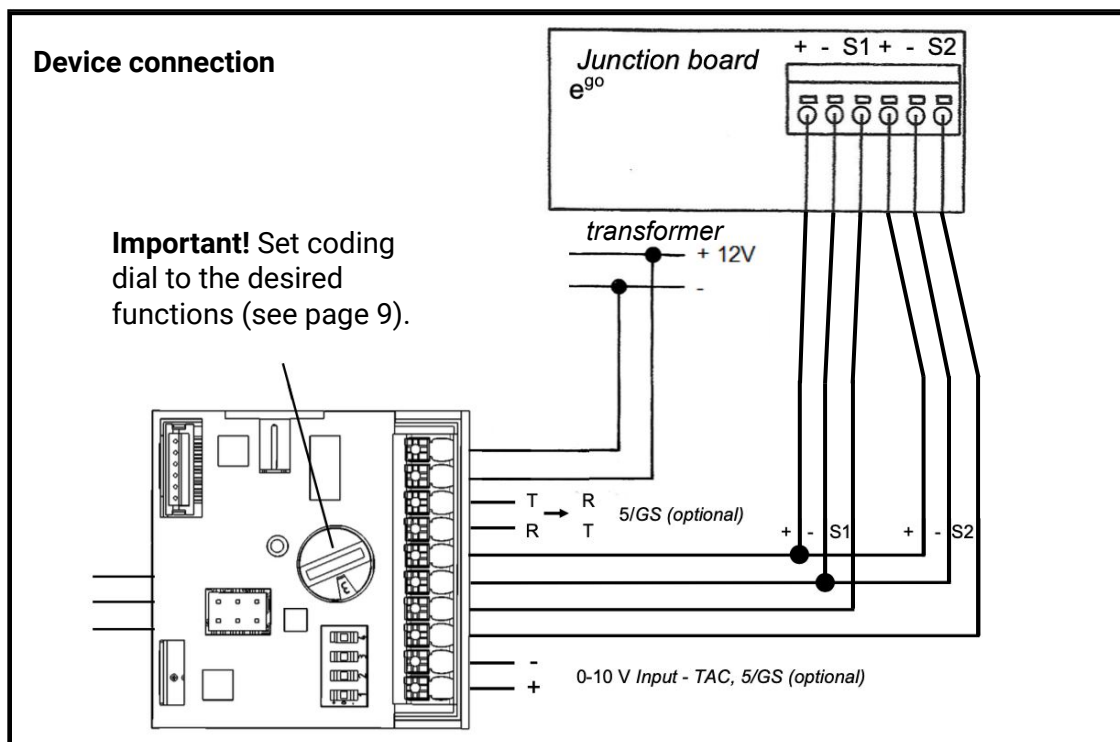
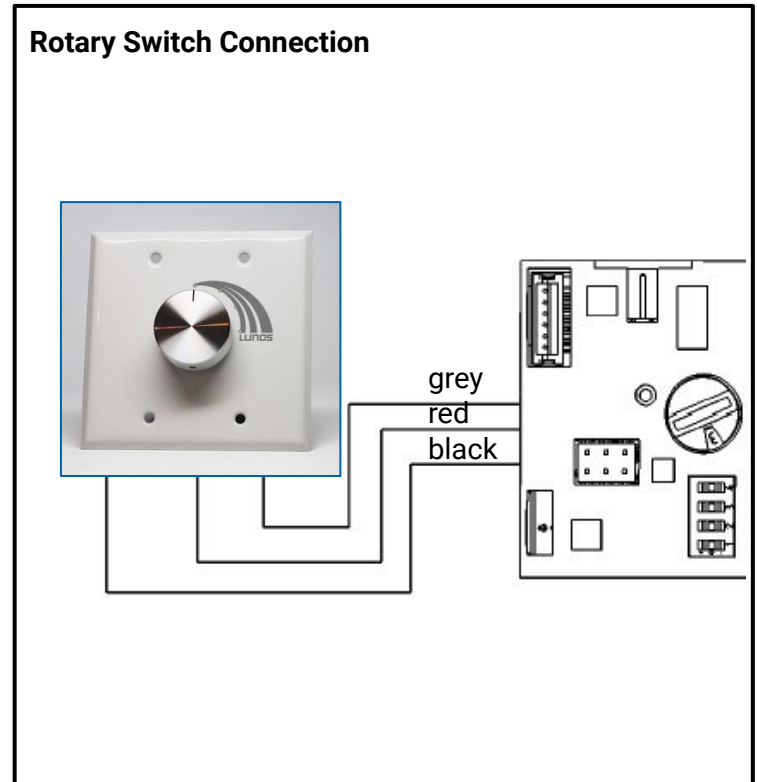
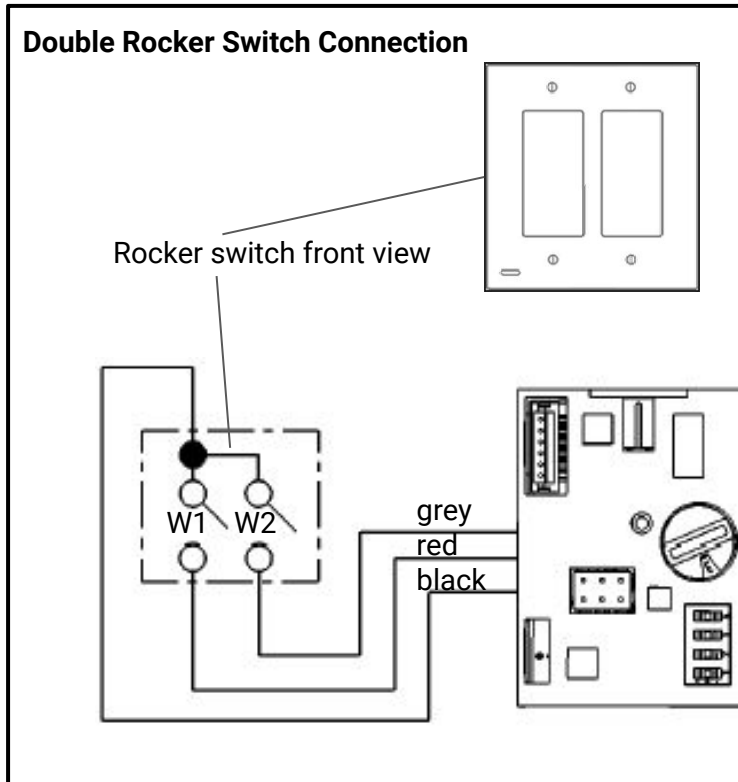
- The system is controlled by Universal Control 5/UNI-FR
- Select the location for the switch
- Run the wiring (120V min 14 gauge) to the controller/switch location
- Run 12V to each e^{GO} unit
 - These wire should **either** be two 18/3 solid thermostat wires **or** a single 18/5 solid thermostat wire
- Controller is wired and set per diagram on the following page

ASSEMBLY - ELECTRIC INSTALLATION AND ELECTRIC CONNECTION (continued)

Use the following cables for the electric connection:

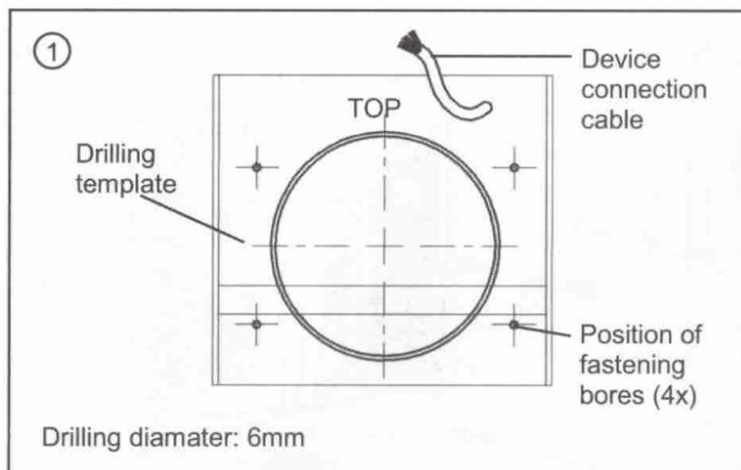
- Cable to the ventilation units: 18/3 solid
- Cable for the supply voltage to the transformer/ power supply unit 14 gauge

Ensure, once installed, the Lunos controller LED light will be visible from behind the faceplate of the switch.



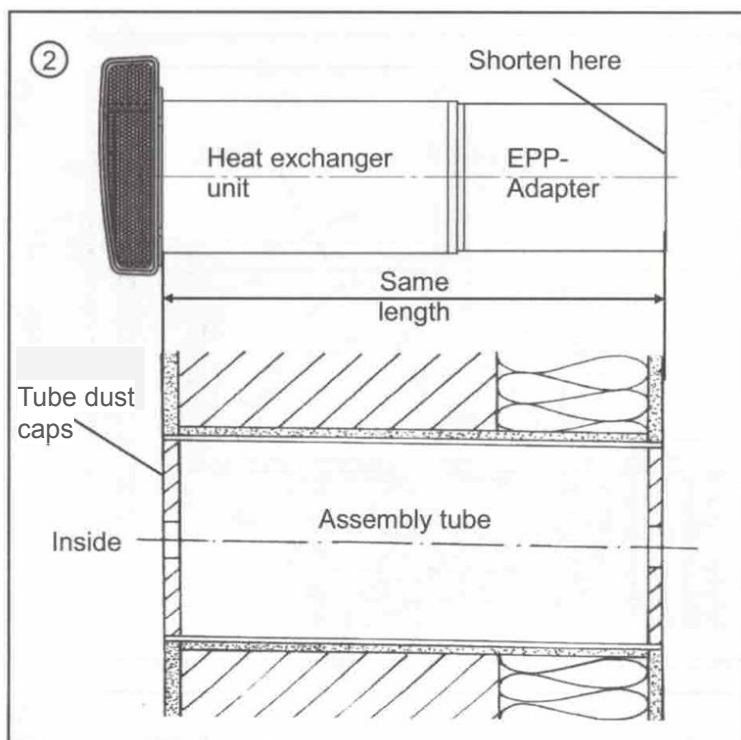
Set coding dial to the functions requested in accordance with the table on page 9. Selecting the wrong dial setting can lead to malfunctions!

ASSEMBLY - INSERT FAN AND INTERIOR COVER

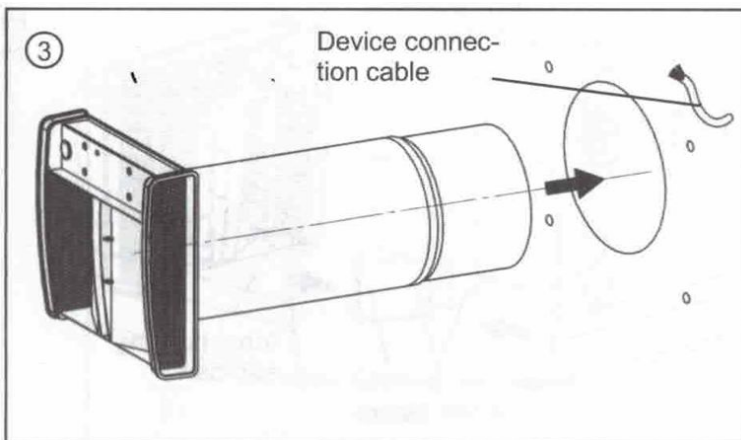


Use the translucent drilling template included in the e⁶⁰ box, and align the large circle over the 6.37"/162mm opening made for the installation tube. Ensure the template is right side up. Drill holes for the 4 x anchors as indicated, and place anchors into the wall.

Ensure the device connection cable is located within the box on the upper right side of the drilling template. Carefully remove drilling template as it will be used again for the exterior grill.

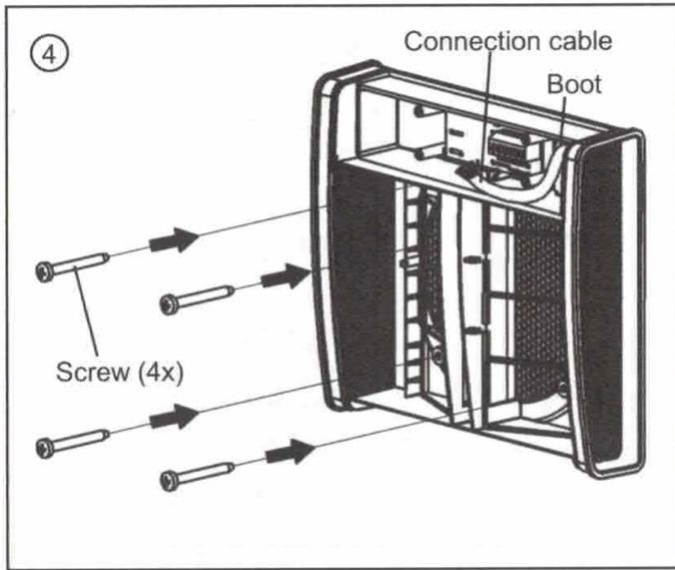


Remove the tube dust caps. Measure the installation tube and cut the EPP adapter so that the e⁶⁰ heat exchanger unit and EEP adapter fill the entire length of the installation tube.



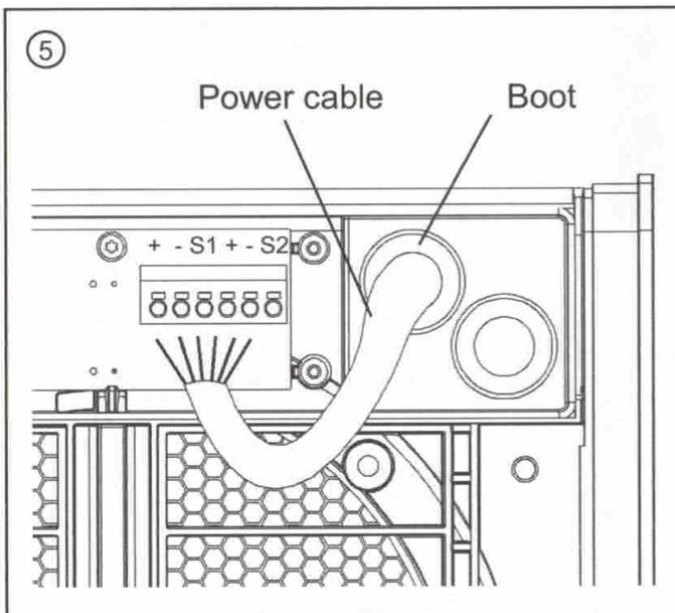
Insert the fan unit (heat exchanger unit and EEP adapter) into the installation tube.

ASSEMBLY - INSERT FAN AND INTERIOR COVER (continued)

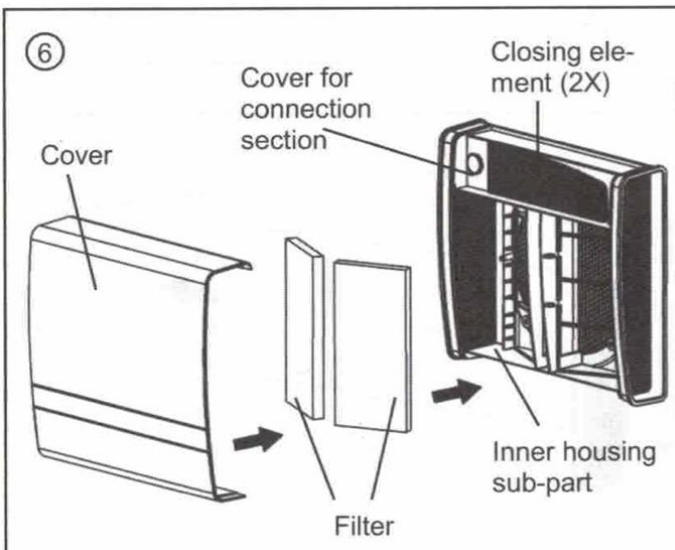


Pull the connection cable through one of the boots of the inner housing found on the upper right side, near the junction board.

Attach the interior cover housing to the wall by fastening the screws to the anchors placed into the wall.



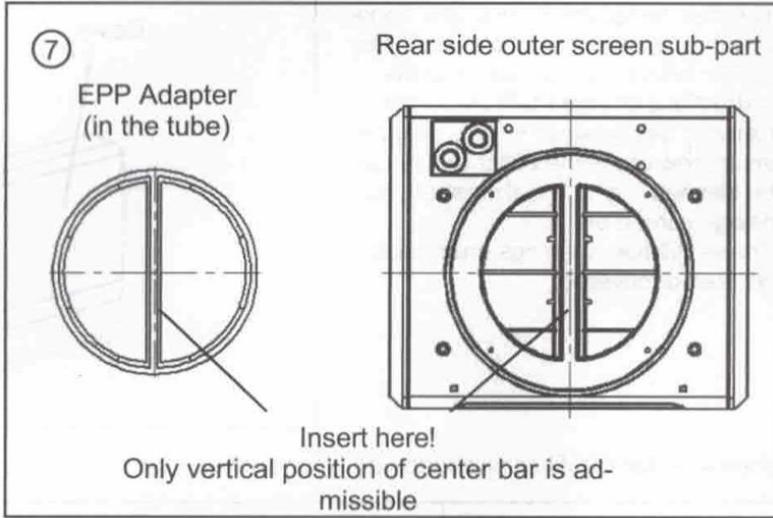
Connect the power and control wires to the junction board per the Connection Diagram found on page 5.



Mount the cover for the electrical connection section and place the red magnetic closing elements back on top (see page 9 for more on these closing elements).

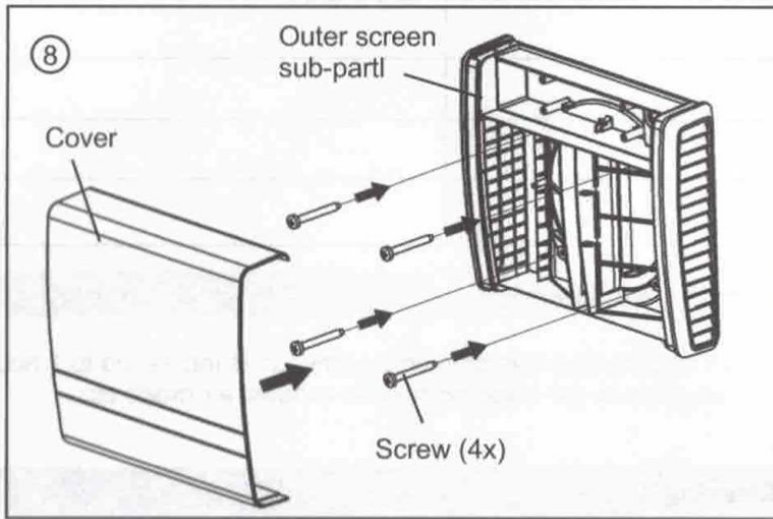
Insert the filters over the inner screens. Set the cover plate into place by aligning and hooking the top first and then snapping the bottom into place.

ASSEMBLY - EXTERIOR GRILL



For the exterior grill, once again use the same drilling template, as done with the interior cover. Drill and place anchors, or other fasteners as appropriate for the exterior siding.

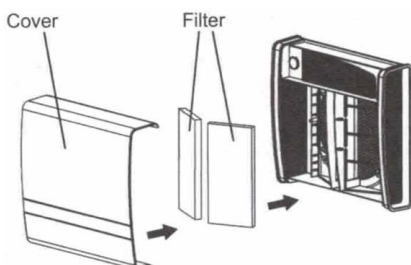
Place the exterior grill over the EPP adapter located inside the installation tube, making sure the divider in the adapter is vertical and that it aligns the exterior grill, making contact with black foam gasket.



Fasten the exterior grill and snap cover plate into place in the same manner as the interior cover was assembled.

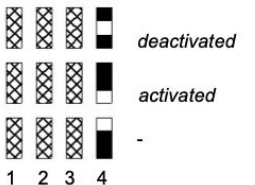
FILTER INDICATOR RESET + SUMMER VENT MODE OPERATION

Functions	Double Rocker Switch	Rotary Switch	LED Indicator Light
Reset filter indicator	Rocker W1 one time within 3 seconds	Rotating from Level 0 to I and back to 0 (within 3 seconds)	Blinks red 3 times
Activate summer vent mode	Rocker W2 one time within 3 seconds	Rotate dial from I to II and back to I again (within 3 seconds)	Lights green once for 3 seconds
Deactivate summer vent mode	Rocker W2 one time within 3 seconds	Rotate dial from I to II and back to I again (within 3 seconds)	Blinks green twice (1 second each)



- The LED will permanently light in red when the filter is due to be cleaned or replaced. Remove front cover, take filter out, and insert new or cleaned filter. Filters can be washed by hand, or in a dishwasher.
- Period of summer vent mode lasts 8 hours, then will automatically revert to normal operation.

CONTROLLER DIAL SETTINGS

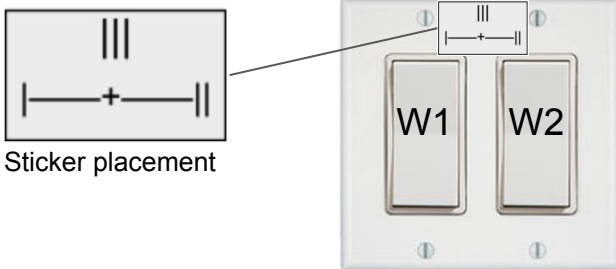
Dial position	Fan type	Programs and airflow				Activate alternate operation mode 
		Level 0	Level I	Level II	Level III	
		W1 OFF	W1 ON	W1 OFF	W1 ON	
		W2 OFF	W2 OFF	W2 ON	W2 ON	
9	ego	OFF	3 cfm	6 cfm	26 cfm*	Level III HRV 12 cfm
A	ego	3 cfm	6 cfm	12 cfm	26 cfm*	Level III HRV 12 cfm
B	ego	6 cfm	12 cfm	26 cfm*	26 cfm*	Level III HRV 12 cfm

* Exhaust air without heat recovery

OPERATION

When operating the Lunos e^{GO} using a double-rocker switch, apply the provided sticker to the switch plate as shown. The markings on the sticker correspond to the following:

- Both W1 + W2 OFF = Level 0
- Switch W1 ON = Level I
- Switch W2 ON = Level II
- Both W1 + W2 ON = Level III

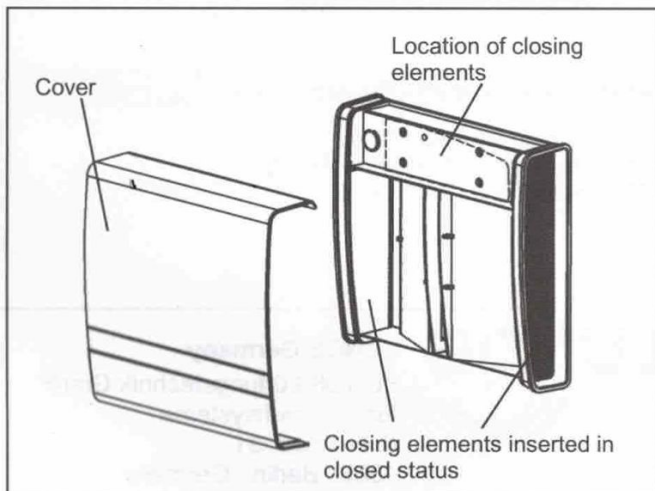


When operating the Lunos e^{GO} with the optional 475 Rotary Switch, the switch positions correspond to the following (assume a clock face):

- 12:00 (position 0) = Level 0
- 1:00 (position 1) = Level I
- 2:00 (position 2) = Level II
- 3:00 (position 3) = Level III



CLOSING THE INNER SCREEN



The inner screen found within the interior cover can be closed, if required, using the magnetic closing elements.

To do so, turn off the e^{GO}, remove the cover plate, place the closing elements with the red side facing the interior and place the cover plate back on the unit.

Remember to remove the closing elements again before turning the system back on.