

Installation Instructions

Decentralized Ventilation System with Heat Recovery

Type e^{go}

- Please pass on to the User-

Contents	Page:
Concerning these Instructions, Safety Instructions, Technical Data, Disposal	1
Dimension drawings, Installation position, Range of application	2
Delivery components	3
Assembly: Assembly tube	4
Assembly: electrical installation and electrical connection	5
Coding switch settings, Installation of light-emitting diodes in the switch	6
Assembly: Fan insert, inside panel	7
Assembly Outside panel, Closing the inside panel	9
Filter change, Cleaning, Additional and Spare parts	10

Concerning these Instructions

- Please read these instructions carefully and fully before commencing with assembly work! The general safety instructions and safety symbols with text must be observed!
- These instructions are to be passed on to the user (tenant, owner, building management etc.) after completion of assembly work.

Symbols in these instructions



This symbol warns of a risk of injury.



This symbol warns of risk of injury from electricity

Safety Instructions



Caution! Assembly work on the ventilation unit must only be executed when the power supply has been completely de-energized. The ventilation unit is insulated in accordance with Protection Class II, insulation connection does not apply!



Attention! The electrical connection must be carried out by licensed mechanical contractors and electricians per local building codes!



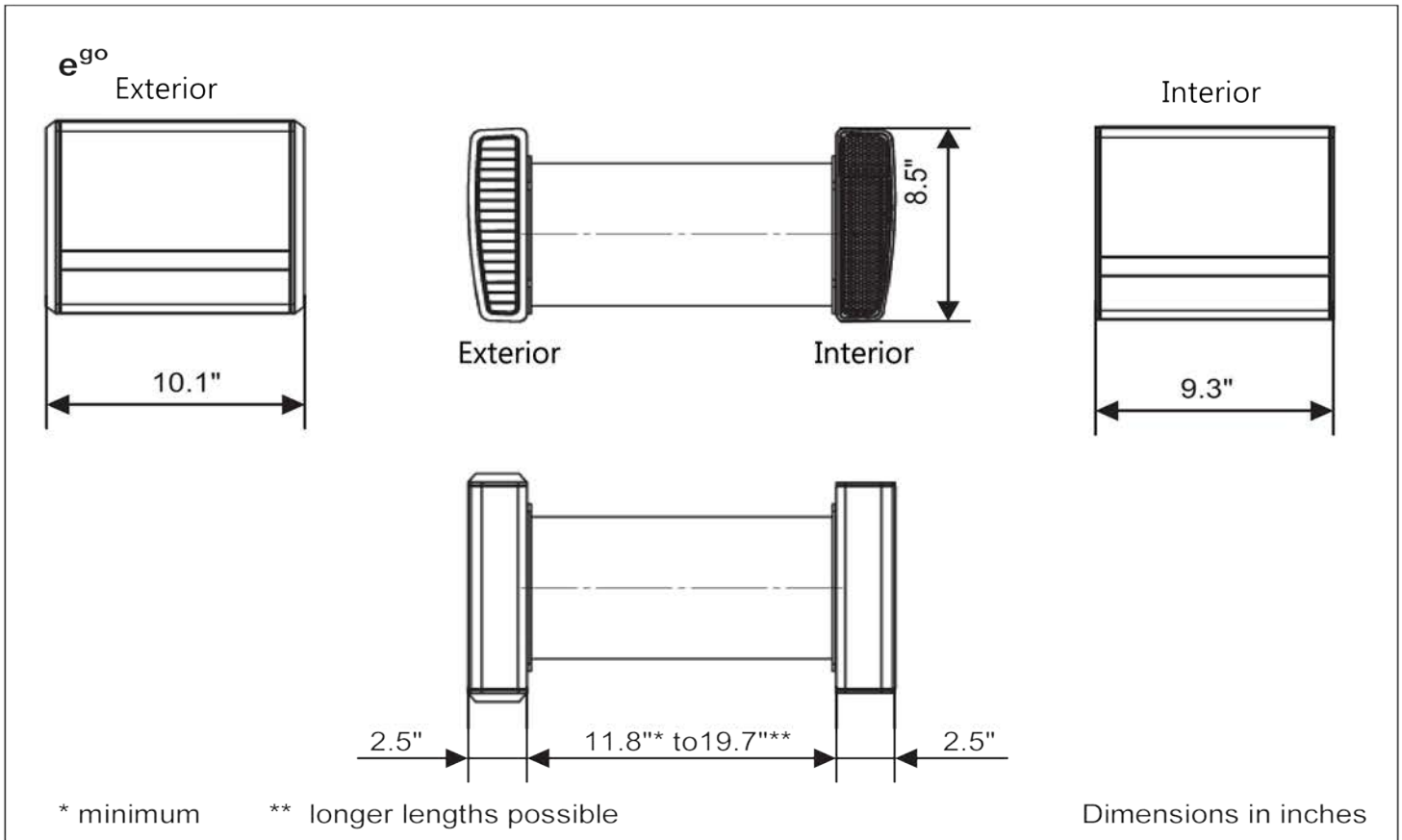
Attention! This device must not be used by children and persons (filter change/cleaning) who are not able to operate it properly on account of their physical, sensory or mental condition or their inexperience or lack of know-how. Children must be supervised to ensure they do not play with the device.

Disposal



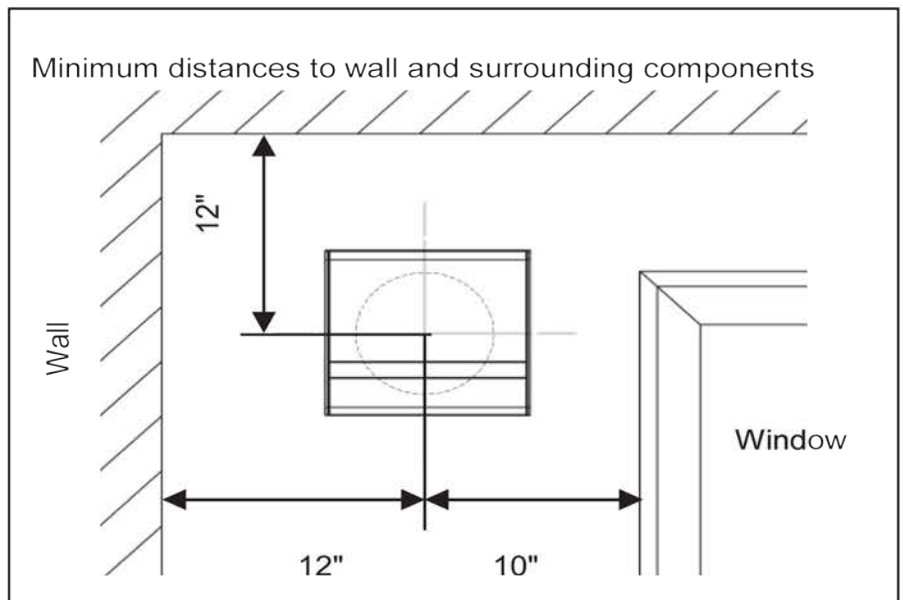
Separate the packaging and dispose of accordingly. If you wish to throw away the device, you must dispose of it in accordance with current legal regulations. Contact your local community center for details.

Dimension drawing All dimension in inches



Installation Position

Two fans operate in the e⁹⁰, always in opposite directions providing supply and exhaust air simultaneously. Minimum distances to the wall and surrounding components must be observed to ensure unobstructed air flow without inadmissible mixing of supply and exhaust air.



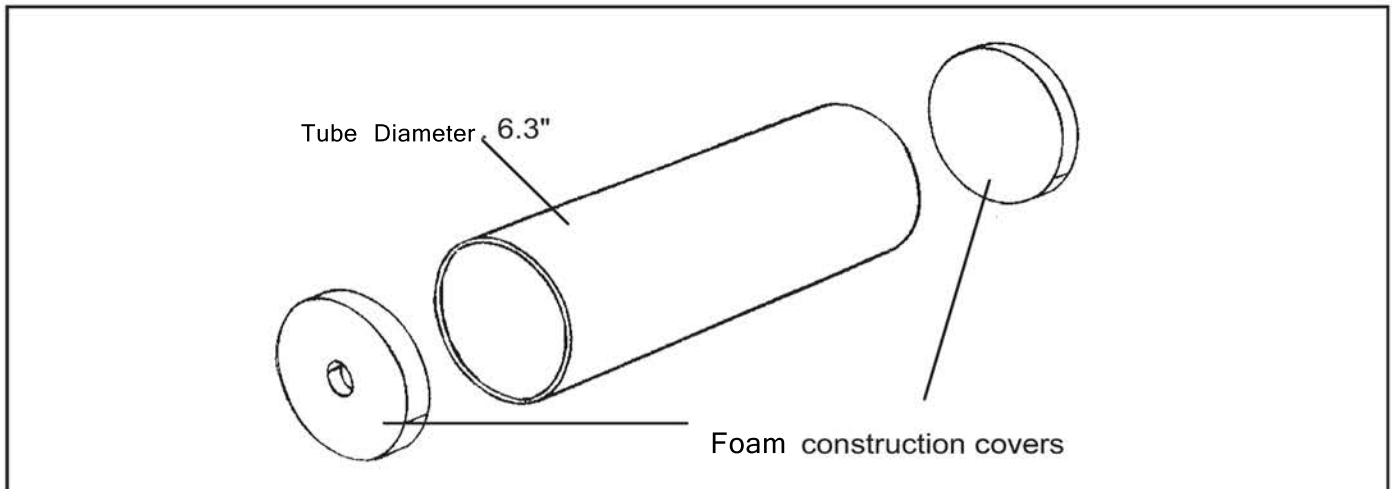
Range of Application

Temperature range of application: - 40°F to 104°F
 Can be used at a relative humidity up to 65% in the interior room area. Low formation of condensation during the heating period is possible. If the application limit is exceeded, switch off the device and close the inside panel. Ensure supply of fresh air via window ventilation.

Delivery items

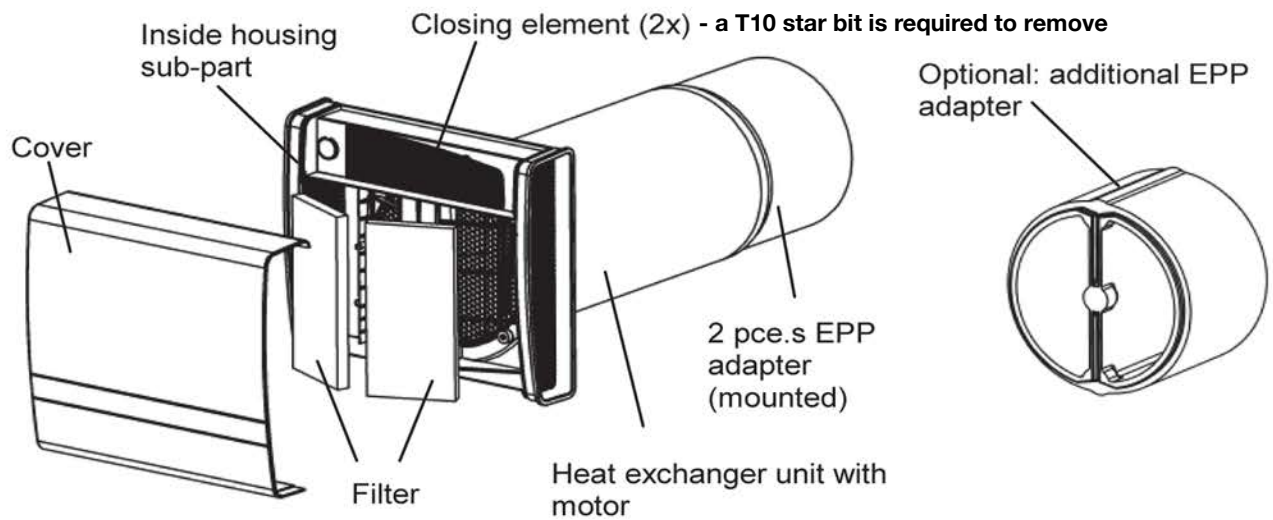
Check your delivery for completeness and perfect condition!

Assembly tube

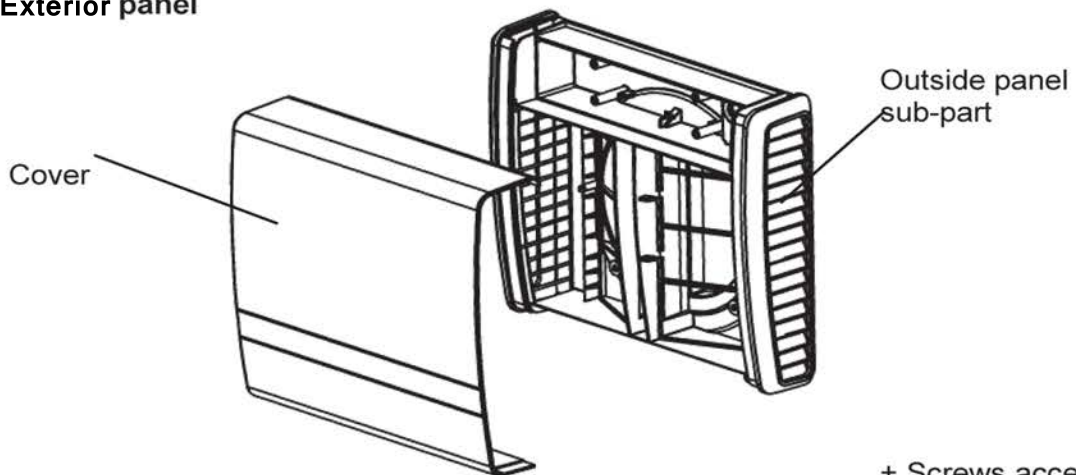


e⁹⁰-insert

Interior panel with heat exchanger unit and adapter stick



Exterior panel

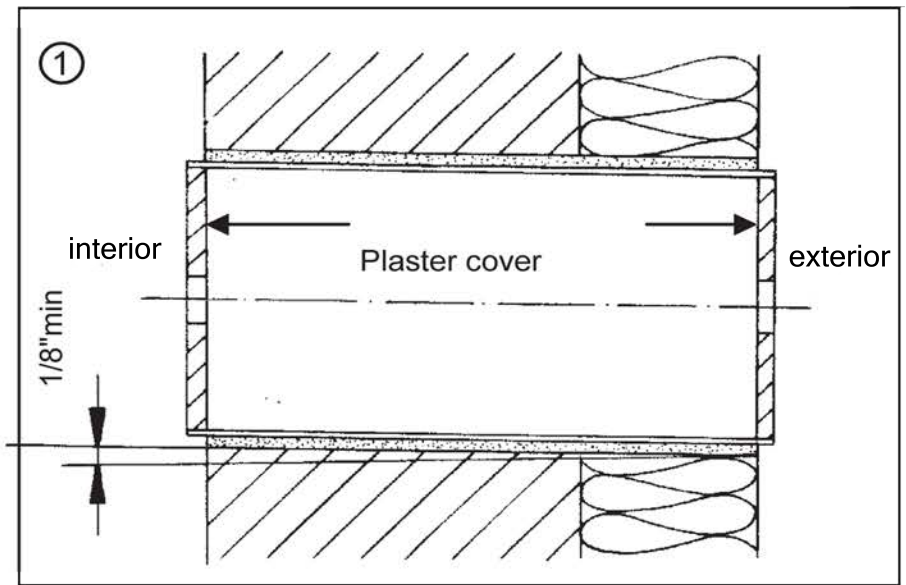


+ Screws accessories

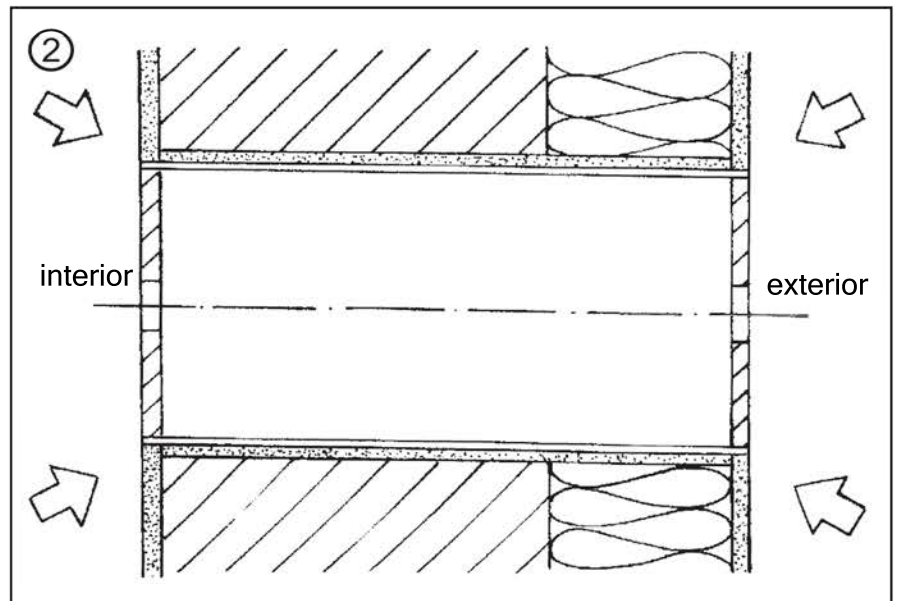
Assembly— Installation Tube

Prepare wall openings for the assembly tube (e.g. via core drill hole, core bit $\text{\O}6.3''$). If necessary, shorten the tube to the installation length required. Make sure there is a slight projection of the tube on both sides. After drywall installation, the tube must be flush with the drywall.

Recommended: Airseal tubes with ROFLEX 150 airtight gaskets.

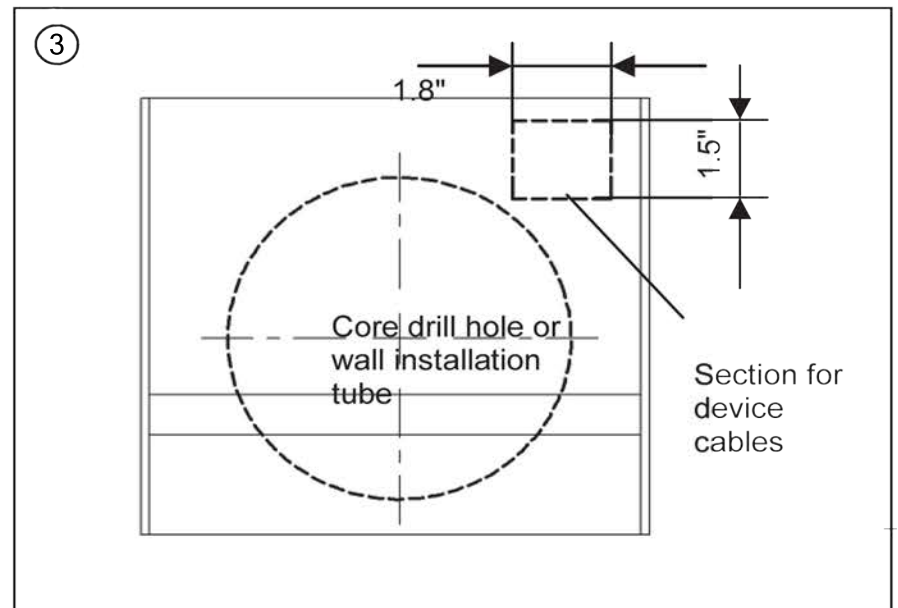


Apply inside and outside drywall





Prepare the cable for the device connection in the designated section

Use the drilling template provided.



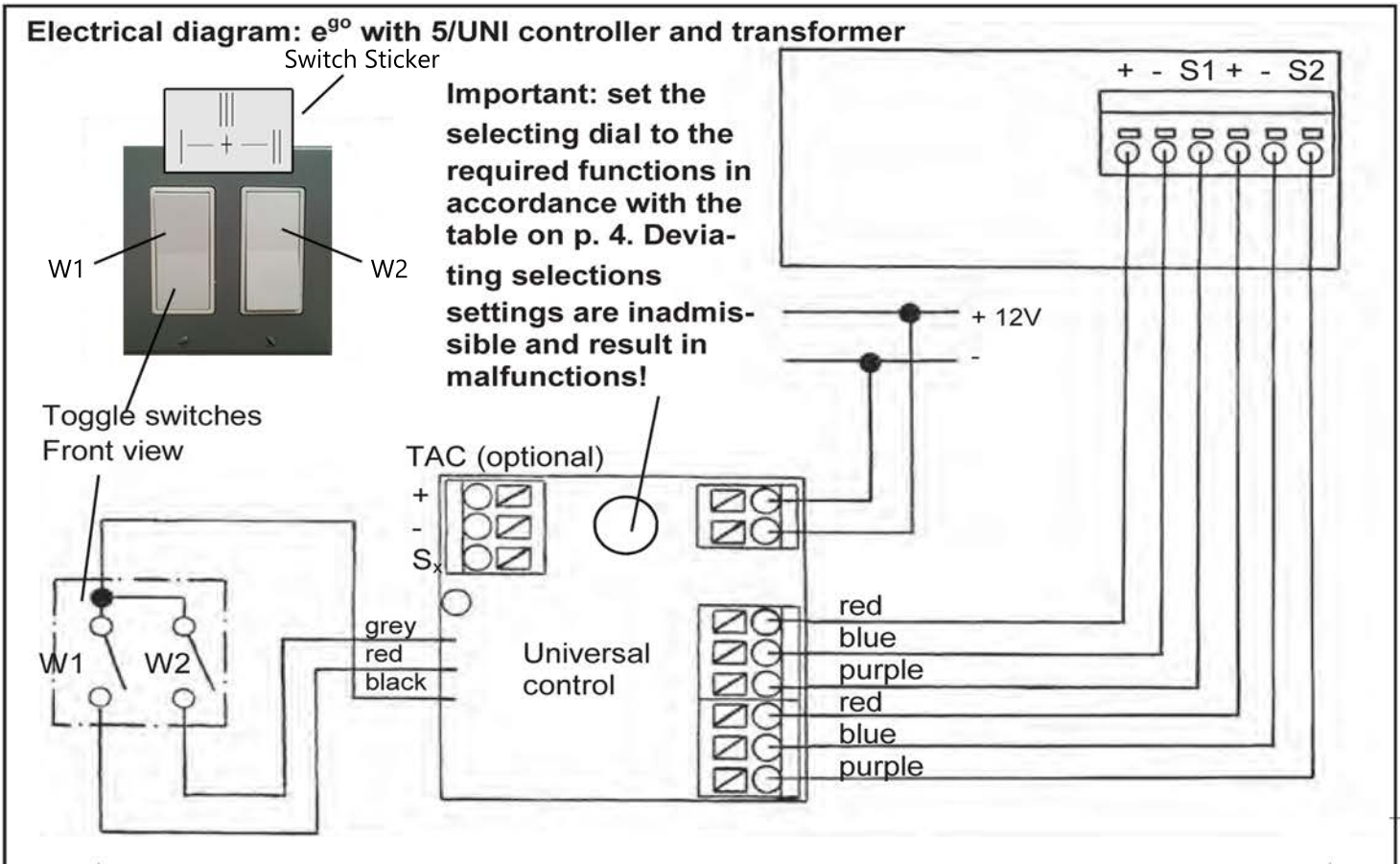
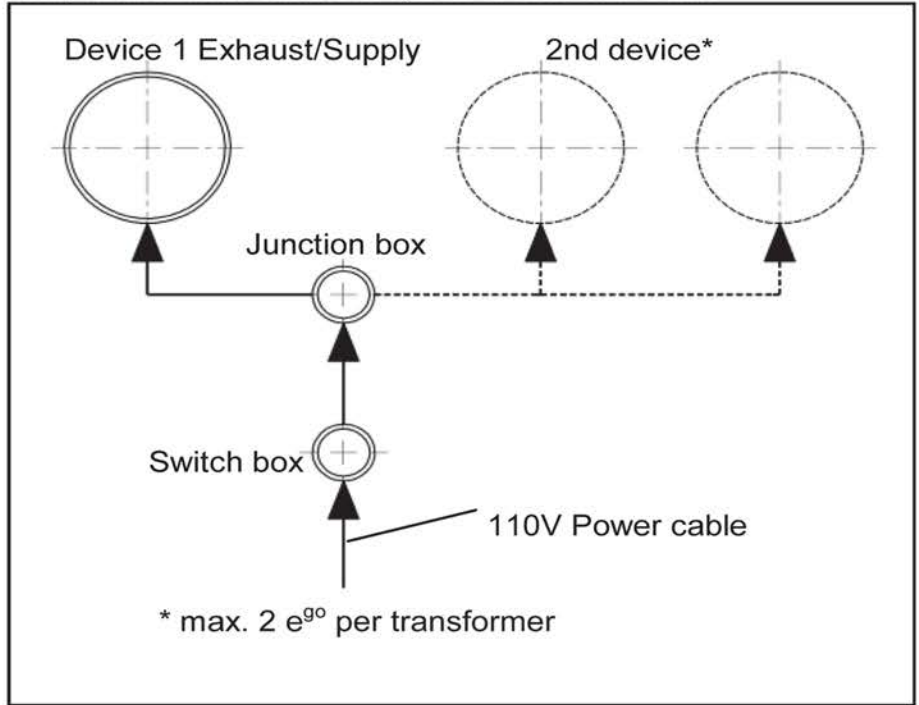
Safety Instructions

 Caution! All installation work on the ventilation device must only be executed when the supply voltage has been completely deactivated and de-energized.
De-energize all connection lines to supply voltage before connecting the ventilation device! (separation from grid with min. 1/4" contact opening, e.g. all-phase separating electric fuse).

 Each circuit connected to this ventilation system must be fitted with residual current protection (e.g. AFCI)!
Electrical connection must be executed by a licensed electrician!
Additional installations and electrical components in this ventilation system are not admissible!

eGO is controlled with the 5/UNI universal controller

1. Locate the switch box, run wiring.
2. Connect the transformer to 110V
3. Use 18gauge non stranded thermostat wire for all low voltage connections
4. Connect 12V DC and low voltage fan wires per diagram below



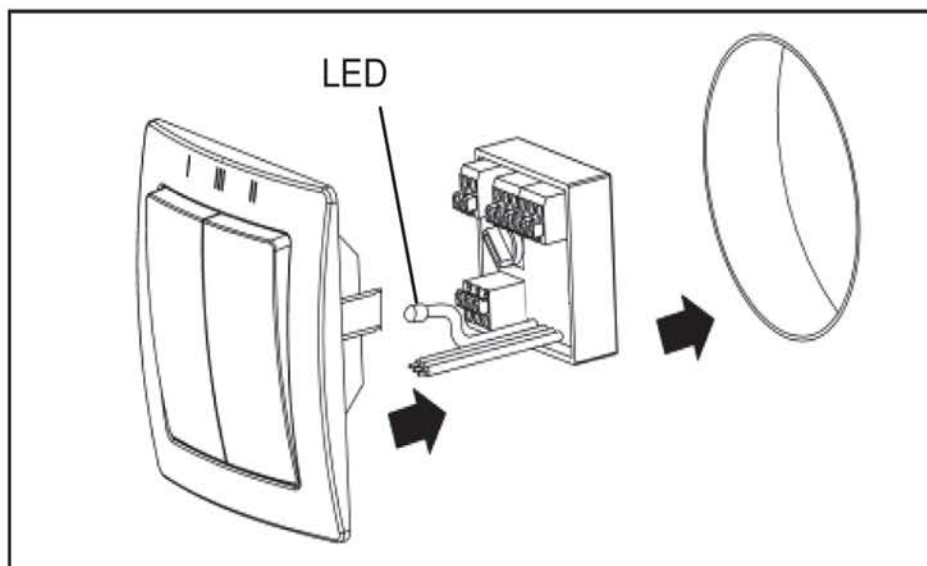
Selection dial settings: programs and volume flow

Selection dial setting	Fan type	Function	Programs and air flow rates				Rocker 2 toggled within 3 seconds
			W1 OFF	W1 ON	W1 OFF	W1 ON	
			W2 OFF	W2 OFF	W2 ON	W2 ON	
9	e ^{go}	OFF, three-flows	OFF	3CFM	6CFM	12CFM	Summer ventilation
A	e ^{go}	Four flows	3CFM	6CFM	9CFM	12CFM	Summer ventilation
B	e ^{go}	Three flows and exhaust mode	3CFM	6CFM	12CFM	No Heat Recovery 26.5CFM	Summer ventilation
C	e ^{go}	OFF, two flows and exhaust mode	OFF	3CFM	6CFM	No Heat Recovery 26.5CFM	Summer ventilation

Toggling w 1 within 3 seconds will reset the filter warning LED light

Installation of light-emitting diodes of control 5/UNI in the switch

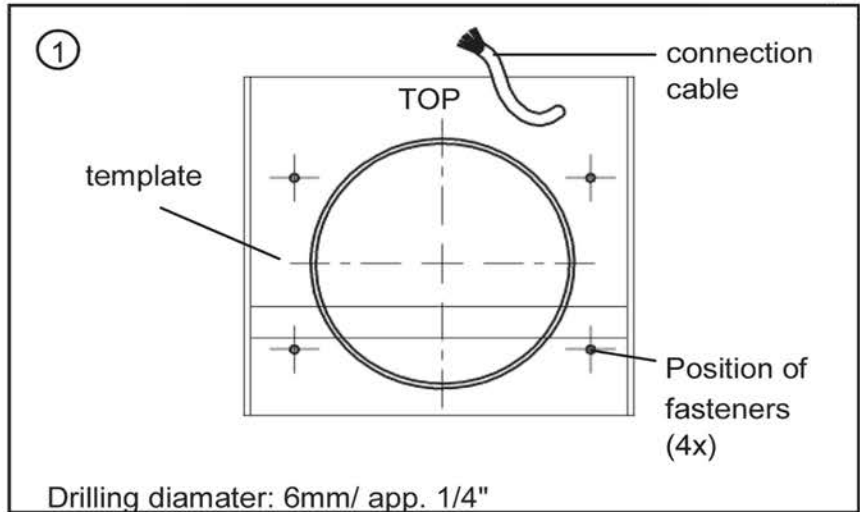
Make sure the LED light is positioned so that it will light up the cover/switches from behind, indicating that a filter change, cleaning or replacement is required.



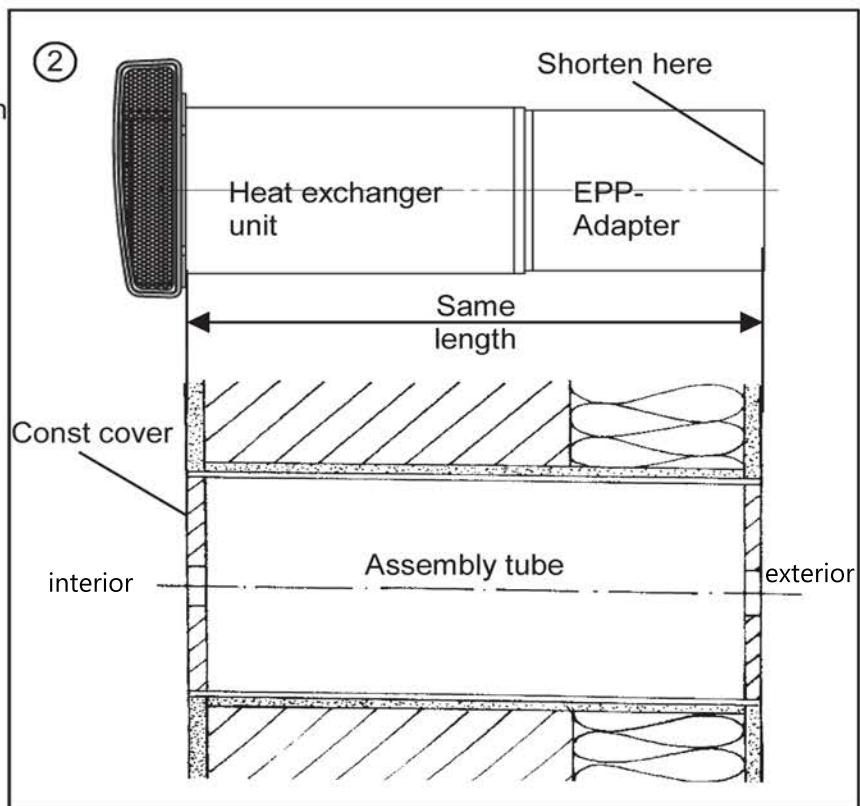
Assembly – Assembly fan insert, inside room cover

Drill/locate the mounting positions of the interior cover using the template and insert the enclosed dowels.

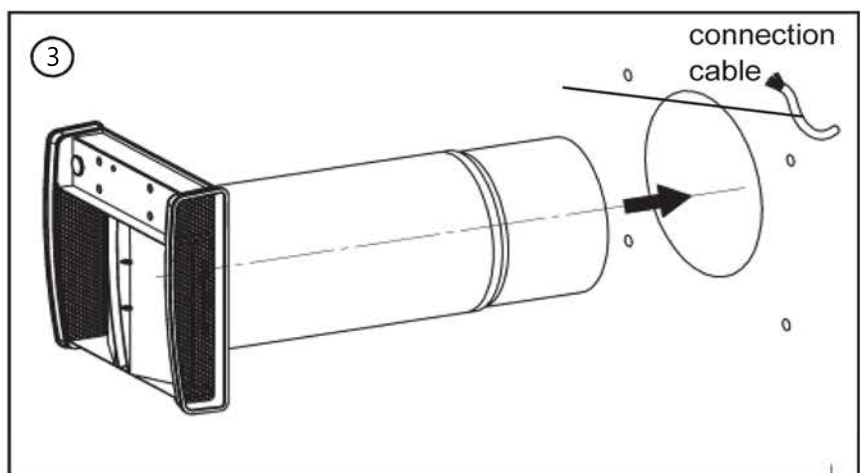
Note: Observe the label ,TOP , any deviating installation position is not admissible for flow-related reasons

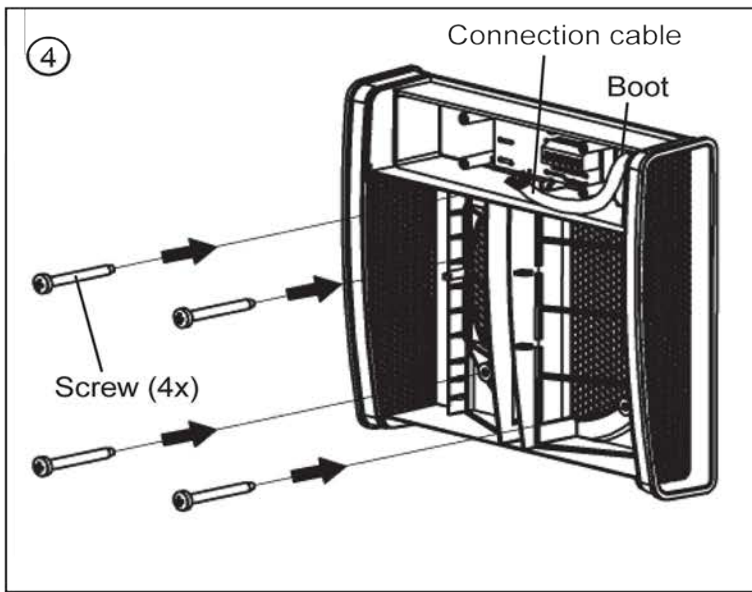


Remove the protective covers. Shorten the EPP adapter to the length of the installation tube. In the case of tube lengths exceeding 19.7", additional adapter pieces should be mounted

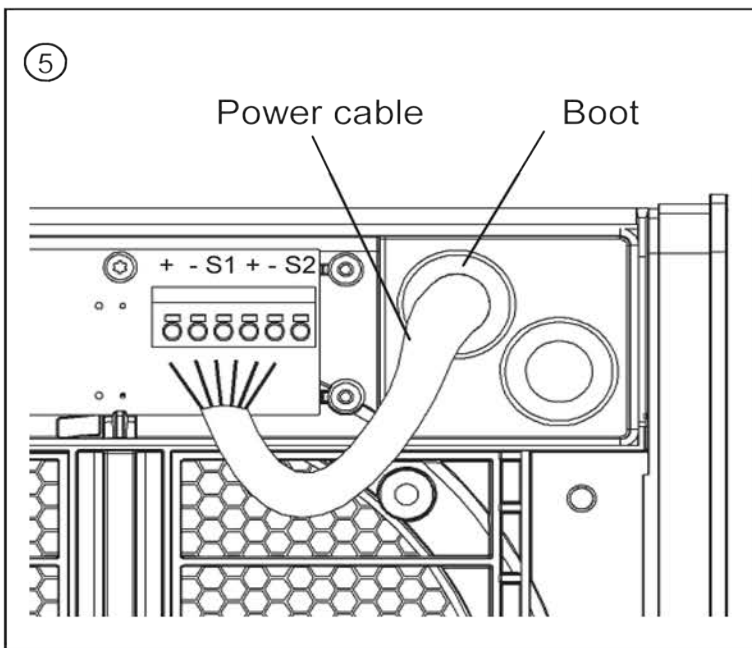


Insert the fan unit (inside panel sub-part, heat exchanger unit and EPP adapter) into the assembly tube

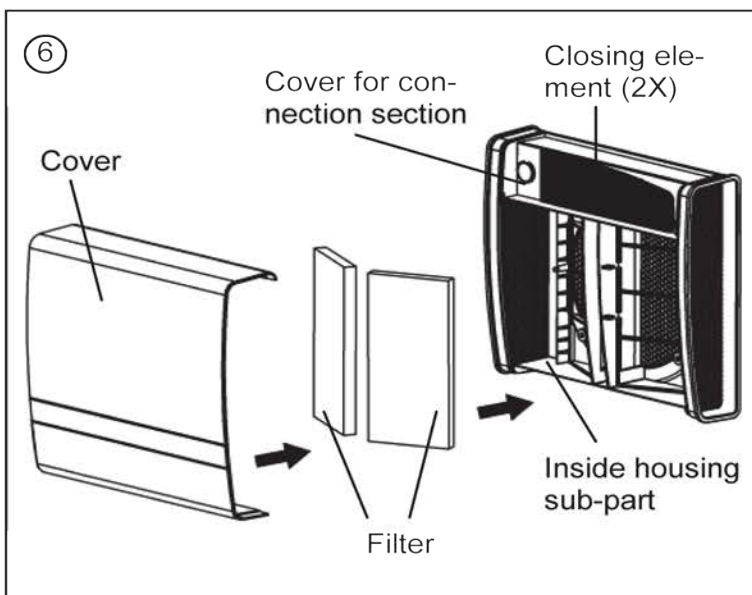




Insert the connection cable through one of the boots of the inside housing sub-part in the section of electrical connection! Fasten the inside housing sub-part to the wall using the screws enclosed!



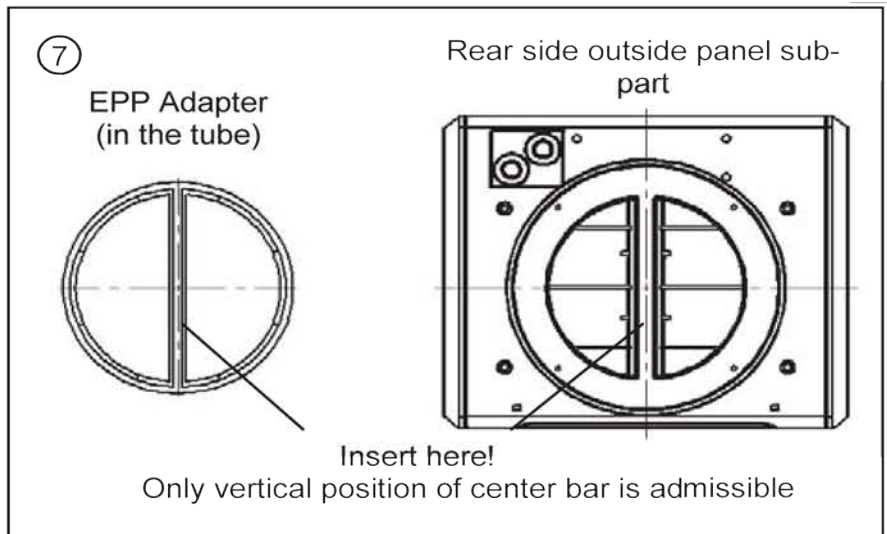
Connect the ventilation unit!
(Connection plan, refer to p 5)



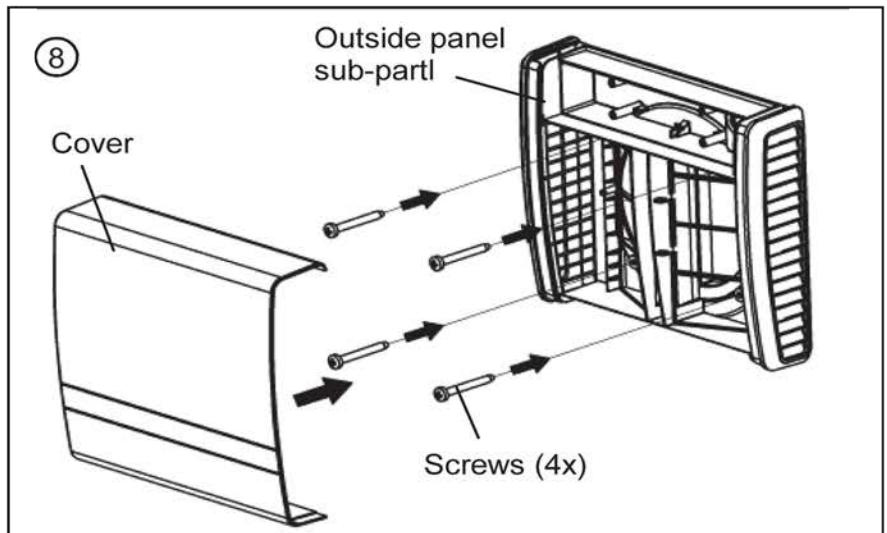
Mount the cover for the electrical connection section and insert the closing element on top
Insert the filter and snap on the cover

Assembly—outside panel

Using the drilling template, drill the fastening drill holes and insert dowels (in accordance with the surface) provided on-site (refer to Assembly of inside room panel Image 1). Place the outside panel sub-part on the EPP adapter located in the tube!

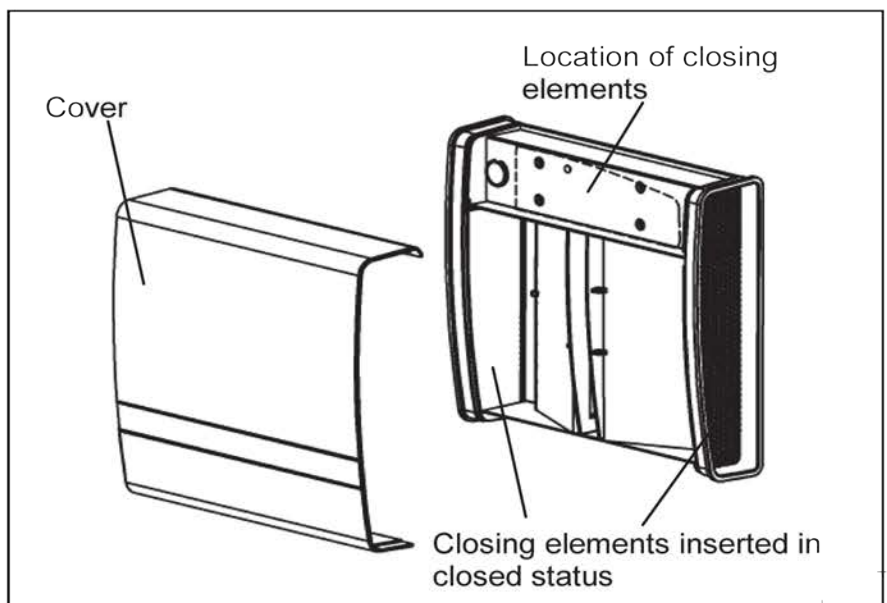


Fasten the outside panel sub-part using the screws enclosed! Place the cover on top!!



Closing the inside panel

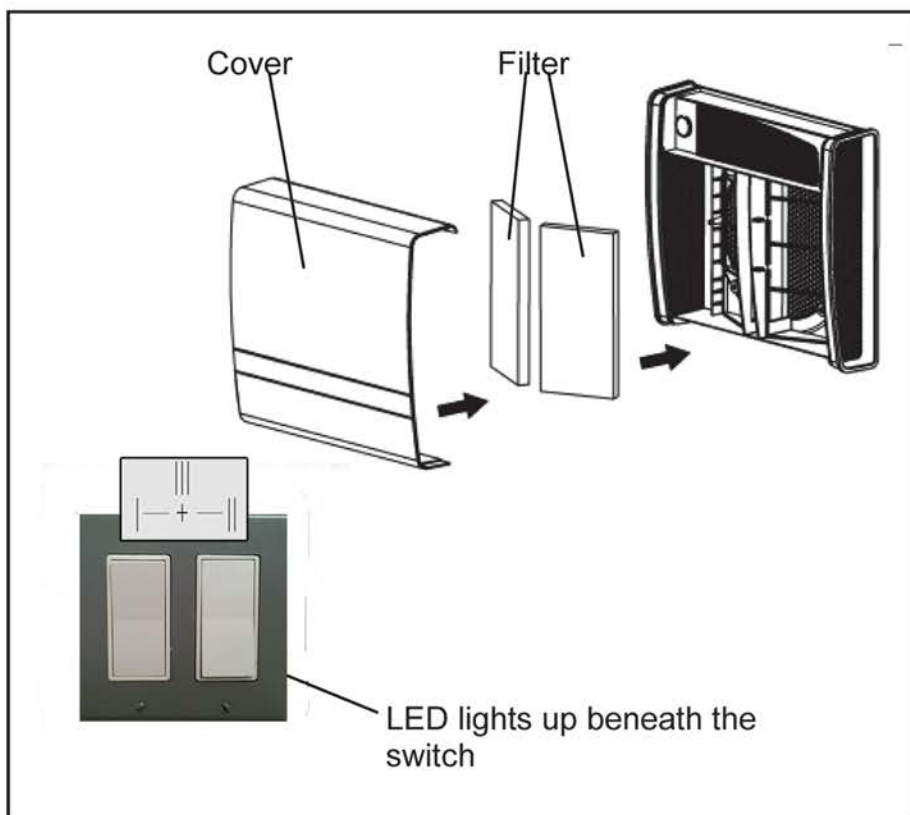
The inside panel can be closed, if required, using the magnetic closing elements: place the closing elements with the red side outwards from the inside in front of the fan grille! Apply the cover!



Filter change

The filter change display signals a contaminated filter. In connection with the universal control, a LED lights up continuously in red beneath the switch.

Remove the cover. Remove the filter, insert new or cleaned filter (filter can be cleaned using a dishwasher). Place the cover on. The ventilation vents must not be obstructed or covered. Reset the filter change display by toggling the rocker switch 1 once.



Cleaning

If required, wipe the inside room panel and cover frame with a dry, soft cloth.



Filter change and cleaning must not be carried out by children and persons not able to execute such work or lack of know how.

Additional/Spare Parts

Visit foursevenfive.com for additional/spare parts.