

Advanced Controller Settings Guide: LUNOS Universal Controller Typ: 5/UNI-FT No.:40269

FEATURES

- Filter change indicator
- Manual, Relative humidity control
- Integrated time delay
- Time delay operation

Technical specifications

Operating voltage: 12 V DC
 Functional voltage range: 0-10 V
 Operational switching current: max. 5 A
 Connected load: max. 60 W

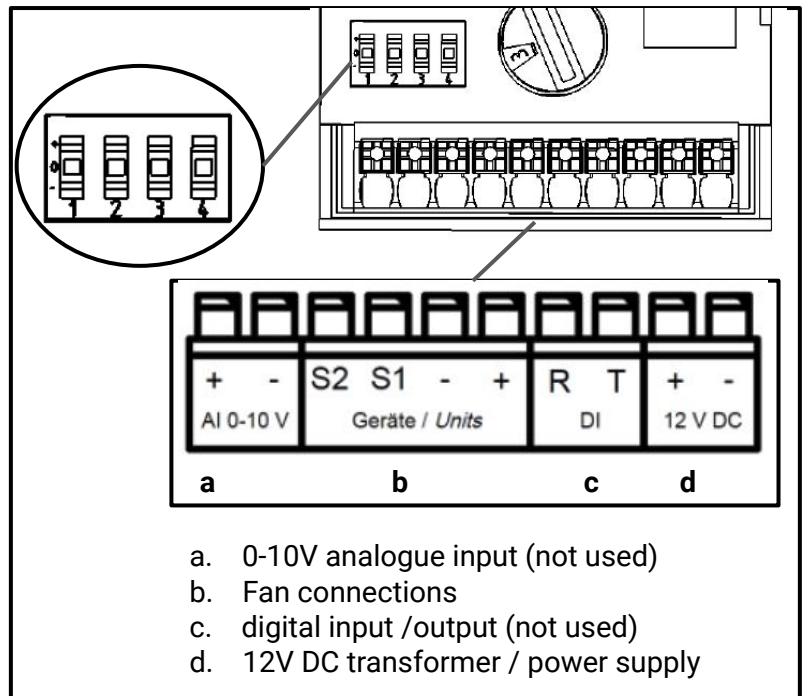
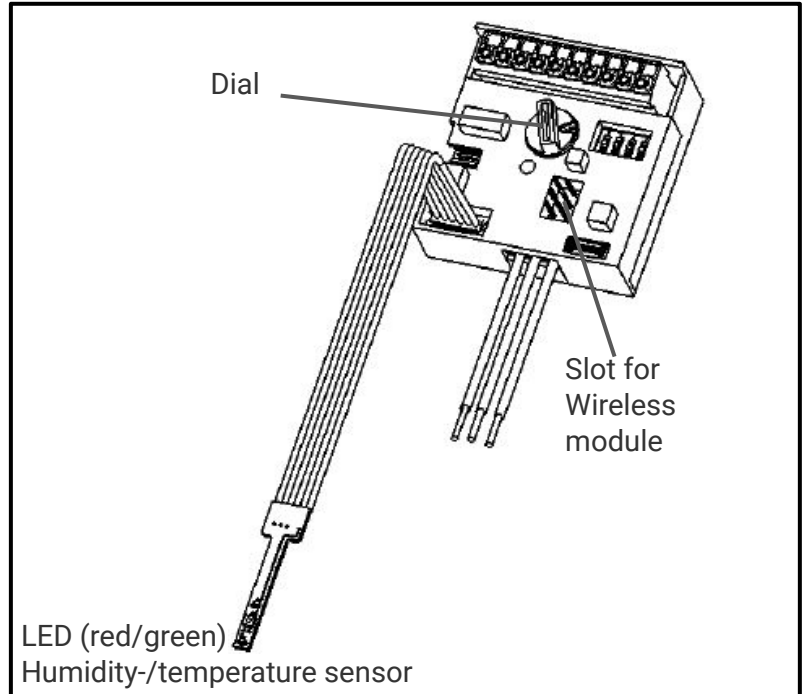
Transformer/Power supply can support:

- e² – 2 pairs (4 fans)
- eGo – 2 systems
- RA 15-60 – 1 system

Other power supplies are available, reach out to technical@475.supply for information regarding Multi-family applications.



Any assembly work (connection to power supply and setting of the dip switches) may only be carried out after disconnecting the supply voltage. Make sure that the supply voltage of all connection lines is voltage-free (dead). Separation from the power supply with a minimum contact opening of 3 mm). Each electric circuit of this ventilation system should be protected by AFCI. **Electric wiring should comply with local codes/NEC and performed by a licensed electrician.**

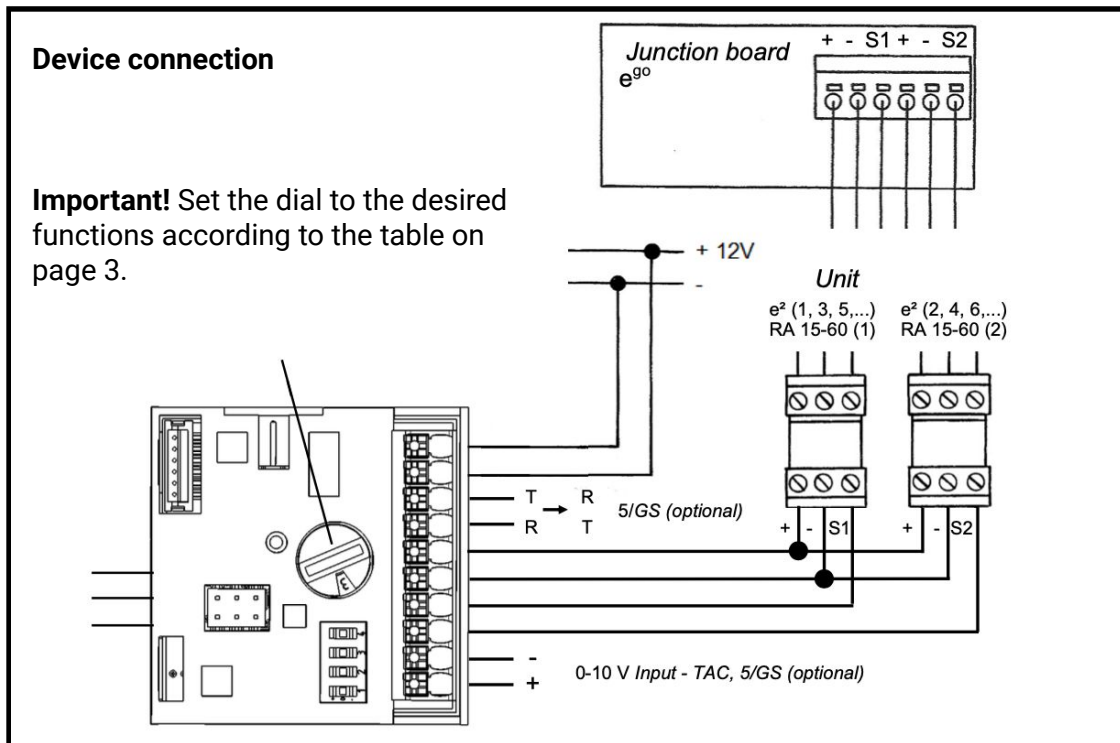
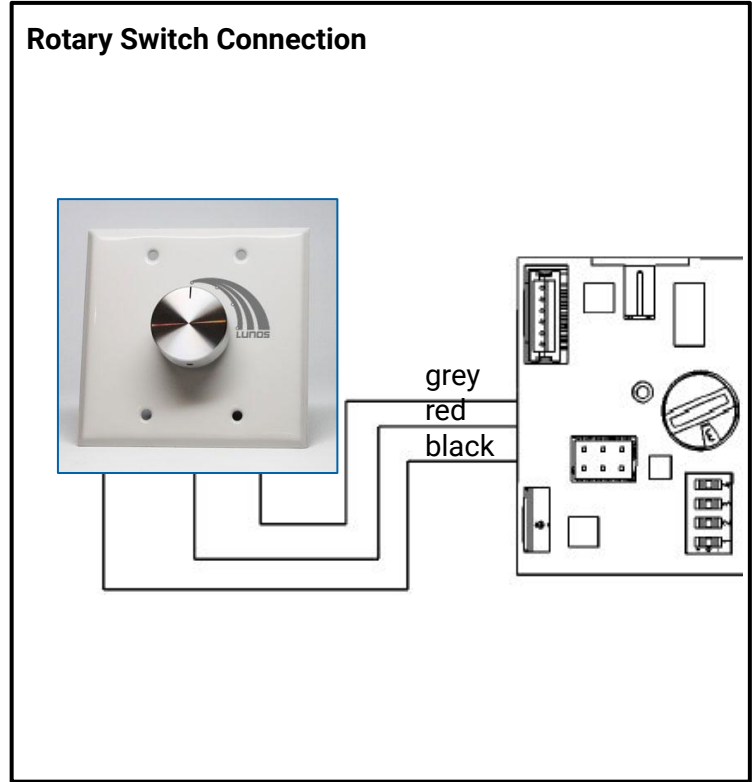
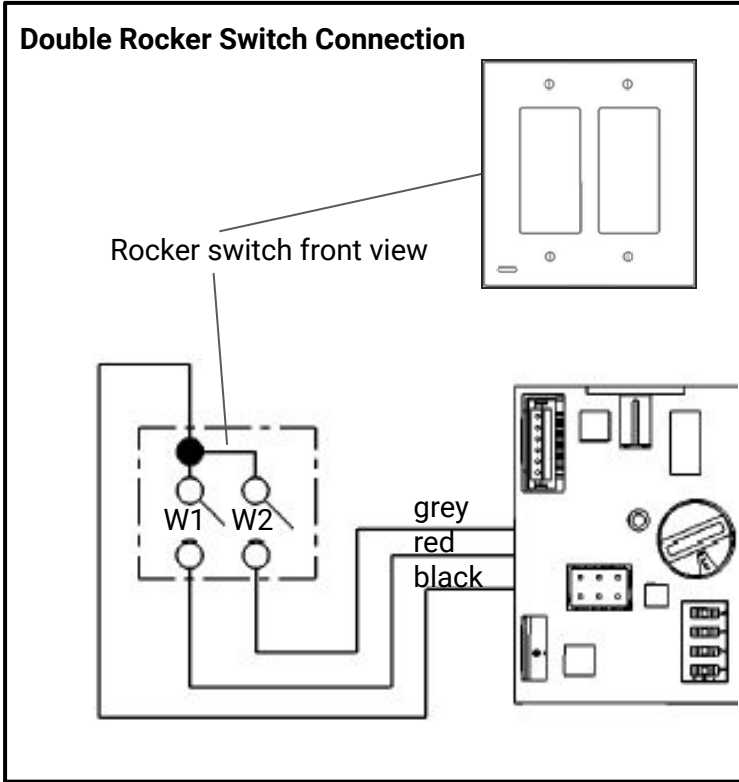


e2/e2-60 System certified by MET labs to UL507

ELECTRICAL CONNECTION

Use the following cables for the electric connection:

- Cable to the ventilation units: 18/3 solid
- Cable for the supply voltage to the transformer/ power supply unit 14 gauge



CONTROLLER DIAL SETTINGS

Dial position	Fan type	Programs and airflow				Activate alternate operation mode
		Level 0	Level I	Level II	Level III	
		W1 OFF	W1 ON	W1 OFF	W1 ON	deactivated
		W2 OFF	W2 OFF	W2 ON	W2 ON	activated
						-
0	RA 15-60	OFF	10 cfm	20 cfm	25 cfm	
1	RA 15-60	OFF	10 cfm	20 cfm	35 cfm	
2	RA 15-60	10 cfm	20 cfm	25 cfm	35 cfm	
3	e ²	OFF	10 cfm	15 cfm	22 cfm	e ² short
4	e ²	10 cfm	15 cfm	20 cfm	22 cfm	e ² short
5	e ² 60	OFF	10 cfm	15 cfm	25 cfm	e ² 60 short
6	e ² 60	5 cfm	10 cfm	15 cfm	25 cfm	e ² 60 short
7	e ² 60	OFF	10 cfm	20 cfm	35 cfm	e ² 60 short
8	e ² 60	10 cfm	20 cfm	25 cfm	35 cfm	e ² 60 short
9	ego	OFF	3 cfm	6 cfm	26 cfm*	Level III HRV 12cfm
A	ego	3 cfm	6 cfm	12 cfm	26 cfm*	Level III HRV 12cfm
B	ego	6 cfm	12 cfm	26 cfm*	26 cfm*	Level III HRV 12cfm
C	e ² 60**	OFF	10 cfm	20 cfm	35 cfm	e ² 60 short
D	e ² 60**	10 cfm	20 cfm	25 cfm	35 cfm	e ² 60 short
E	0-10 V					

* Exhaust air without heat recovery

** Unpaired operation with 1 unit connected to S1 and two units connected to S2.

HANDLING

Functions	Double Rocker Switch	Rotary Switch	LED Indicator Light
Reset filter indicator	Rocker W1 one time within 3 seconds	Rotating from Level 0 to I and back to 0 (within 3 seconds)	Blinks red 3 times
Activate summer vent mode	Rocker W2 one time within 3 seconds	Rotate dial from I to II and back to I again (within 3 seconds)	Lights green once for 3 seconds
Deactivate summer vent mode	Rocker W2 one time within 3 seconds	Rotate dial from I to II and back to I again (within 3 seconds)	Blinks green twice (1 second each)

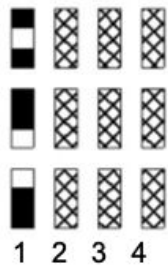
* Period of summer vent mode lasts 8 hours, then will automatically revert to normal operation.

DIP-SWITCH SETTINGS (see page 1 for orientation/order of dip switches)

Factory settings



White DIP-Switch

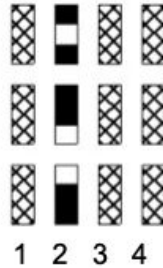


Interval OFF

every 4h 30 min *

every 2h 15 min *

1 2 3 4

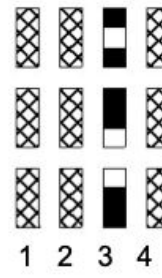


Time delay OFF

Time delay 15 min **

Time delay 30 min **

1 2 3 4



Humidity control*** OFF

ON 50% r.h. - 70% r.h.

ON 45% r.h. - 75% r.h.

1 2 3 4

* If interval mode is active, it will automatically use level II flow rates per table on page 3

** Time delay activation will cause fan to continue to run at level III for 15/30 minutes after switching down to a lower flow rate.

*** Humidity control - DO NOT use this feature in the warmer months in mixed or humid climate zones

Note : Feature will engage system at level III even when system is set to OFF/level 0)

When Humidity control is switched on, the green LED will flash twice.

When humidity boost flow is active, the green LED flashes every 15 seconds until r.h. is outside active range selected. System will then resume normal operation.

RESET or PROGRAM CONTROLLER (ADVANCED)

Function	Dial + Dip switch setting,	LED Indicator Light
Factory reset	Dial set to F, DIP-switch „0000“	5x flashing
Intelligence of the Humidity control	Dial set to F DIP-switch „000+“	1x flashing activated 2x flashing deactivated
Function of LED	Dial set to any selection between 0-E	1x flashing full function 2x flashing completely deactivated 3x flashing filter warning deactivated
Ventilation Mode	Dial set to F DIP-switch „00+0“	1x flashing balanced 2x flashing dynamic disbalance (DIBt) 3x flashing extended dynamic disbalance

Set parameters as desired above. To complete programming - toggle switch W1 10x or on Rotary from 0-I 10x

INSTALLATION OF THE R.H. SENSOR AND LED

- LED and humidity/temperature sensor will be located inside the electrical box. The LED will light up the plastic cover plate of the box when using rocker switches.
- If Rotary switch is used with a metal cover, the light is not visible, but sensor will work.

FILTER CHANGE INDICATOR

The LED will permanently light in red when the filter is due to be cleaned or replaced. Remove front cover, take filter out, and insert new or cleaned filter

Note: Filters can be washed by hand, or in a dishwasher
MERV13 or Pollen filters cannot be washed.

Reset the filter change indicator as described under the "Handling" section on page 3.

