

LUNOS e²60



Decentralized heat recovery ventilation system with quiet and efficient operation

BENEFITS

The e²60 offers quieter standard operating sound levels along with increased motor efficiency as compared to the e². Operating and wired in groups of 2 or 4, these fans provide continuous ventilation without the need for ductwork - installed directly in the exterior wall. The regenerative core is charged every 70 seconds for a standard fan and 50 seconds for a short fan, after which the fan reverses and the incoming air absorbs the stored heat on its way in. Creates a very quiet heat recovery ventilation system without the need for ducts and balancing, with specific fan efficiency that is second to none.

PRODUCT SPECIFICATIONS

The basic unit is a through wall fan, with a ceramic regenerative heat exchanger behind it. Operating and wired in pairs, these fans provide continuous ventilation without the need for duct-work and are installed directly in the exterior wall.

The fan's heat recovery is possible thanks to a ceramic core that is charged in a 70 second cycle for a standard fan and 50 seconds for a short fan. To learn about how LUNOS heat recovery works, watch our short video introduction to the LUNOS system.

For projects with walls thinner than 12" (eg with 2x6 framing), you may want to go with the Lunos e² short version. However, the short version comes with a slightly lower efficiency (~84%). Otherwise, furring the tube toward the interior is an option for your project to obtain the maximum (89%) efficiency in a shorter (ie 2x6) wall assembly.

Includes one transformer (110V-12V) and controller. Maximum four fans (two pairs) can be wired to one controller. Installation sleeve included – can be pre-installed in wall before insulating/during construction.

TECHNICAL SPECS

Ventilation Rates	5/10/15/20/25/35 CFM (depending on controller settings)
Heat Recovery Efficiency	89% per DIBT/DIN V 4701 at 27 m ³ /hr (~15 CFM)
Humidity Recovery	20-30% in winter

475 can only sell and ship LUNOS products within the United States.

475 High Performance Building Supply
info@foursevenfive.com (USA) | 800-995-6329



LUNOS e²60

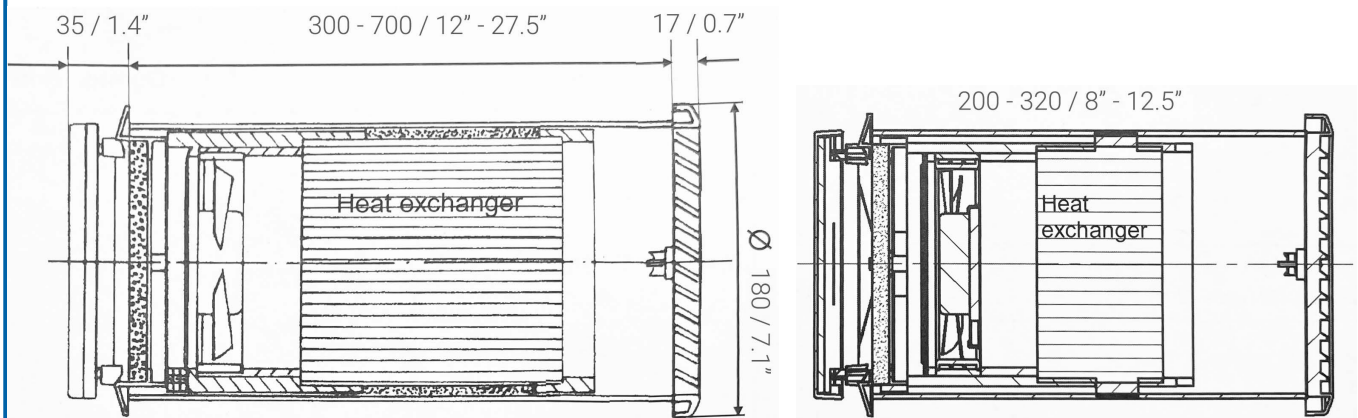
TECHNICAL SPECS (continued)

Ventilation System Efficiency	0.07 W/(m ³ /h) [0.12W/CFM]
Filter	G3 (MERV 5) comes with standard interior cover. MERV 13 available with Comfort Screen interior cover option.
Sound Level	from 18dB

DIMENSIONS

Diameter Unit	5 7/8" (150 mm)
Exterior Diameter Tube	6 5/16" (160 mm)
Minimum Wall Thickness	short : 8" (200 mm) standard : 12" (300 mm)
Installation Tube (can be cut)	short: 8" to 12 1/2" (200 mm to 320 mm) standard: 12" to 19 3/4" (300 mm to 500 mm) extra long option: 19 3/4" to 27 1/2" (500 to 700 mm)
Fan Length	standard: 9 3/4" (248 mm) short: 6 3/4" (171 mm)
Inside Cover	7 1/16" x 7 1/16" (180 mm x 180 mm)
Outside Grill Diameter	7 1/16" (180 mm)

Lunos e²60 Fan Dimensions (mm / inches)



Standard fan and installed tube

Short fan and installed tube



475 can only sell and ship LUNOS products within the United States.

475 High Performance Building Supply
 info@foursevenfive.com (USA) | 800-995-6329






APPLICATION

For bathrooms it is recommended to use the e⁶⁰ HRV. Using intermittent high efficiency exhaust fan is an option, but will decrease e²60 efficiency slightly during the time it is in operation. Or if the bathroom is located at an exterior wall, a pair of e²60 can be installed. The same principle can be applied to kitchens.

CODE COMPLIANCE (NEC/HAFS 70 Certification by NRTL)

<p>Certified to UL 1815 Nonducted Heat Recovery Ventilators</p>	 <p>The logo is a blue octagon with a white border. Inside, it says 'TUV' in large letters, 'SUD' below it, and 'Production monitored Type tested' in smaller text at the bottom. The letters 'C' and 'US' are on the left and right sides respectively.</p>
---	--

INTERIOR AND EXTERIOR COVER OPTIONS

INTERIOR COVERS	
	<p>Standard Interior Cover comes with MERV 5 filter that is washable and reusable. Cover also accommodates optional MERV 10 filtration.</p>
	<p>Interior Sound Reduction Cover reduces sound insulation from exterior noise by 6 decibels, and comes standard with MERV 5 filter. Accommodates optional MERV 10 filter.</p>
	<p>Comfort Screen with MERV 13 Filter is the option for the highest level particulate matter filtration. MERV 13 reduces PM 2.5 by up to 90%. PM 2.5 is the dominant particle size of particulates from wildfire smoke.</p>
EXTERIOR GRILLS	
	<p>Standard Exterior Grill is angled to shed rain, includes a bug screen and drip edge for any possible condensation that may occur during operation.</p>
	<p>Exterior Hood with Sound Absorption offers durable, long-lasting protection for the Lunos system comes in aluminum (white or gray), and stainless steel options. Can be painted and reduces exterior noise by 6 decibels.</p>

475 can only sell and ship LUNOS products within the United States.