

Basic Information

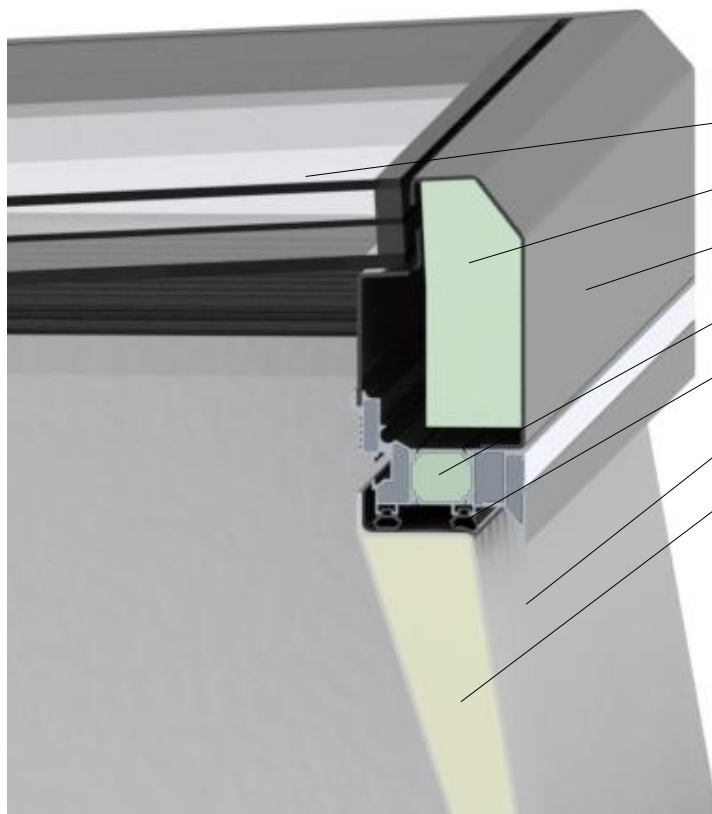
Glass Skylight FE 3° (2020)



All sizes and glazing are accessible for maintenance measures according to DIN 18008-6.

- Optimized self-cleaning
- Structural Glazing
- Individually adaptable
- High daylight incidence
- Optimized sound insulation
- Optimum thermal insulation
- Shading options
- Connection options / refurbishment options
- Smart Home (electrical control / monitoring)
- LED equipment

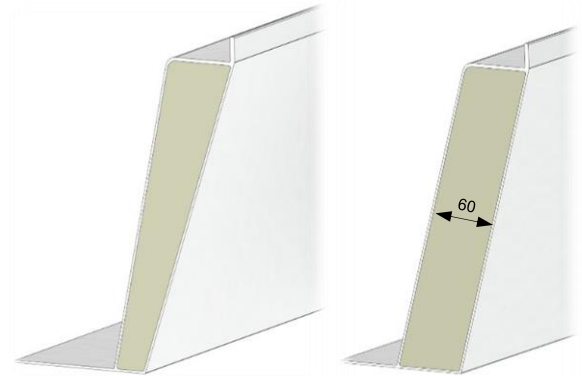
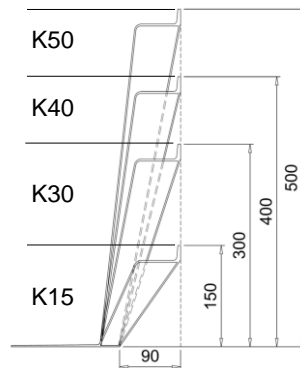
Materials and Building Material Classes



- | | | |
|-------------------------------|--|------|
| Real glass glazing | | A1 |
| Neopor insulation block | | E |
| ALU borderframe | | A1 |
| Isolation core made of Neopor | | Ed-0 |
| EPDM double sealing system | | Ed-0 |
| GRP-outer shell (RAL 9016) | | Ed-0 |
| PU-rigid foam insulation | | Ed-0 |

Basic Information

Lower part
Inclined GRP Upstand



Standard

Optional

OKD 90/90, 90/120, 120/120, 150/150, 180/180 and 150/250 also available in K70.

Sizes

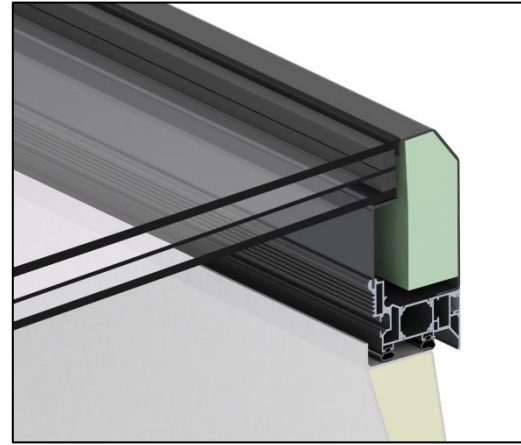
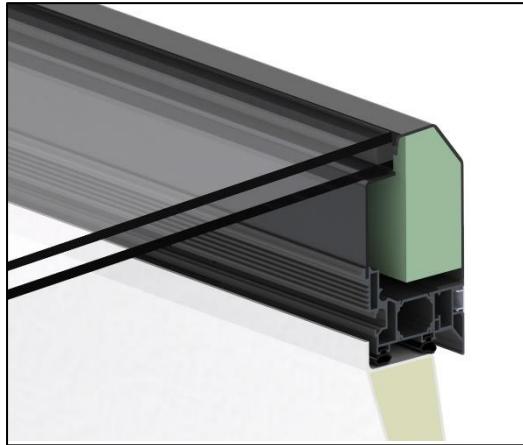
Top roof edge size	FE 3° 2020	
	Double glazing	Triple glazing
50x100	•	•
50x150	•	•
60x60	•	•
60x90	•	•
60x120	•	•
70x135	•	•
80x80	•	•
80x150	•	•
90x90	•	•
90x120	•	•
90x145	•	•
100x100	•	•
100x150	•	•
100x200	•	•
100x240	•	•
100x250	•	•
100x300	•	•
120x120	•	•
120x150	•	•
120x180	•	•
120x240	•	•
120x250	•	•
120x270	•	•
125x125	•	•
125x250	•	•
140x140	•	•
150x150	•	•
150x180	•	•
150x200	•	•
150x210	•	•
150x240	•	•
150x250	•	•
150x270	•	•
150x300	•	•
180x180	•	•
180x240	•	•
180x250	•	•
180x270	•	•
200x200	•	•



OKD= Top roof edge size

Basic Information

Glazings

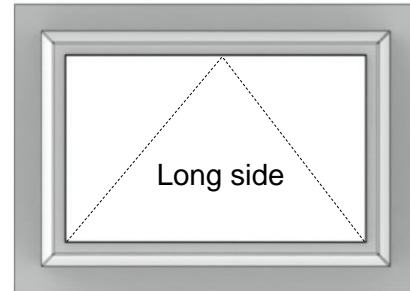
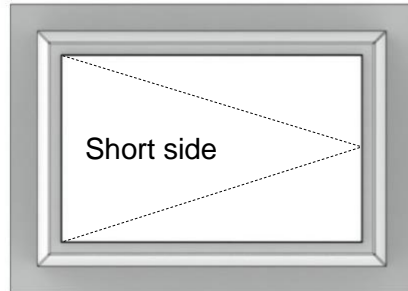


	discription	code	external glazing	SZR	middle glazing	SZR	internal glazing	light-transmission τ [%]	total energy transmittance g [%]	sound insulation value $R_{w,p}$ [dB]	heat transition U_g [W/m ² K]
double glazing	Thermal insulation glazing	W 102	6 TSG	20	-	-	8 LSG 0,76 clear	80	62	38	1,1
	Thermal insulation glazing	W 103	6 TSG	20	-	-	8 LSG 0,76 opal	54	59	38	1,1
	sun protection glazing 50/25 neutral	S 101	6 TSG	20	-	-	8 LSG 0,76 clear	52	28	38	1,1
	sun protection glazing 50/25 neutral	S 102	6 TSG	20	-	-	8 LSG 0,76 opal	36	27	38	1,1
	sun protection glazing 60/30 neutral	S 109	6 TSG	20	-	-	8 LSG 0,76 clear	60	33	38	1,0
	sun protection glazing 60/30 neutral	S 110	6 TSG	20	-	-	8 LSG 0,76 opal	40	32	38	1,0
	sun protection glazing 70/37 neutral	S 113	6 TSG	20	-	-	8 LSG 0,76 clear	68	37	38	1,0
	sun protection glazing 70/37 neutral	S 114	6 TSG	20	-	-	8 LSG 0,76 opal	46	35	38	1,0
	Sound insulation glazing 45 dB	SS11TSG	10 TSG	16	-	-	8 LSG 0,76 clear	79	55	45	1,1
Sound insulation glazing 45 dB	SS11TSGM	10 TSG	16	-	-	8 LSG 0,76 opal	54	54	45	1,1	
triple glazing	Thermal insulation glazing	W 110	6 TSG	16	4 Float	16	8 LSG 0,76 clear	72	51	39	0,6
	Thermal insulation glazing	W 303	6 TSG	16	4 Float	16	8 LSG 0,76 opal	49	50	39	0,6
	sun protection glazing 50/25 neutral	S 117	6 TSG	16	4 Float	16	8 LSG 0,76 clear	55	30	39	0,6
	sun protection glazing 50/25 neutral	S 118	6 TSG	16	4 Float	16	8 LSG 0,76 opal	37	29	39	0,6
	sun protection glazing 60/30 neutral	S 121	6 TSG	16	4 Float	16	8 LSG 0,76 clear	33	25	39	0,6
	sun protection glazing 60/30 neutral	S 122	6 TSG	16	4 Float	16	8 LSG 0,76 opal	31	24	39	0,6
	sun protection glazing 70/37 neutral	S 125	6 TSG	16	4 Float	16	8 LSG 0,76 clear	62	34	39	0,6
sun protection glazing 70/37 neutral	S 126	6 TSG	16	4 Float	16	8 LSG 0,76 opal	42	33	39	0,6	

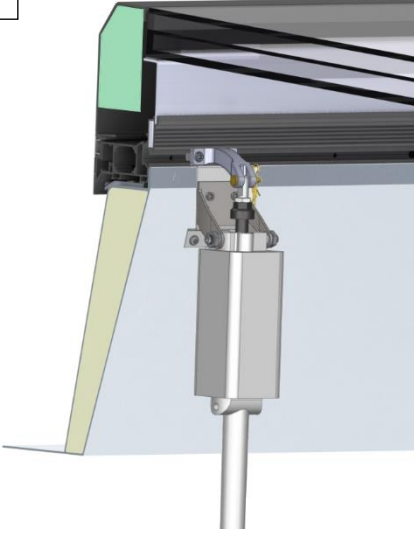
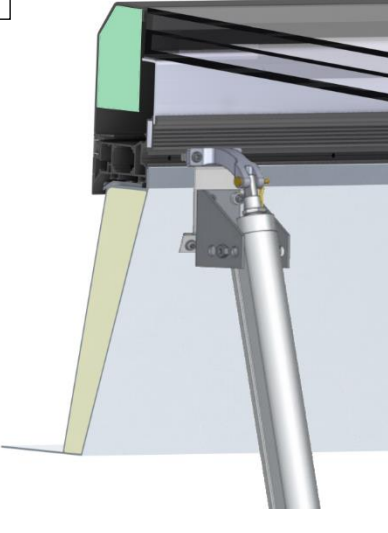
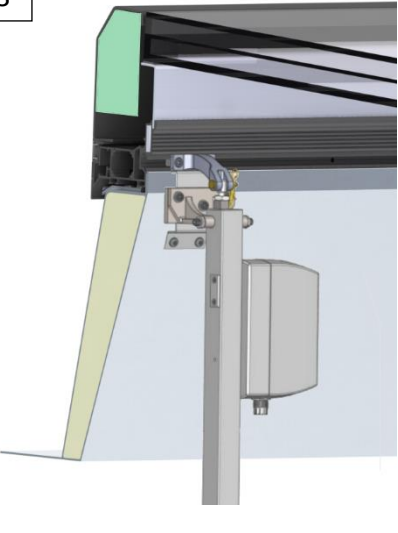

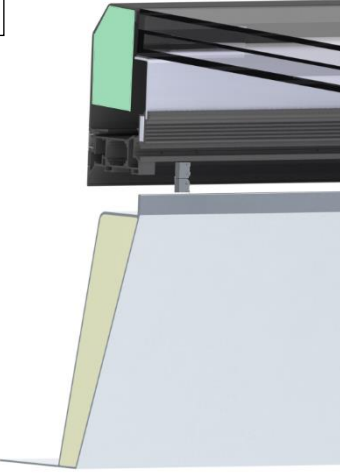
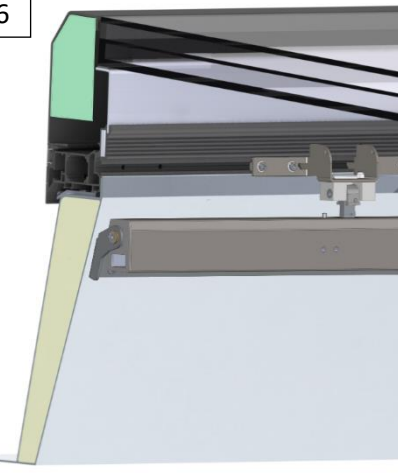
The stated thickness of the panes and the spaces between the panes are the standard configuration. They are subject to static requirements and may vary depending on pane sizes and loads. The specified technical values are determined in accordance with the valid regulations and standards for reference test specimens and may differ slightly in individual cases. The spectral data can deviate by up to 5% from the stated values. Resistance to outside flying sparks B, roof (t1) according to EN 13501-5.

Basic Information

Hinge sides



Opener

<p>1</p> 	<p>2</p> 	<p>3</p> 
<p>230V spindle upstroke drive type JMBB 300mm / 500mm Upstroke</p>	<p>24V spindle upstroke drive Type Jo65 / Jo100 300mm / 500mm Upstroke</p>	<p>Rack and pinion drive Typ ZA 230V or 24V 350mm / 500mm Upstroke</p>
<p>4</p> 	<p>5</p> 	<p>6</p> 
<p>Manual drive Manual operation 285mm Upstroke</p>	<p>Concealed chain drive operation 230V or 24V 250mm Upstroke</p>	<p>230V/ 24V chain drive operation 250mm/300mm/500mm/600mm Upstroke</p>

Basic Information

Special Accessories

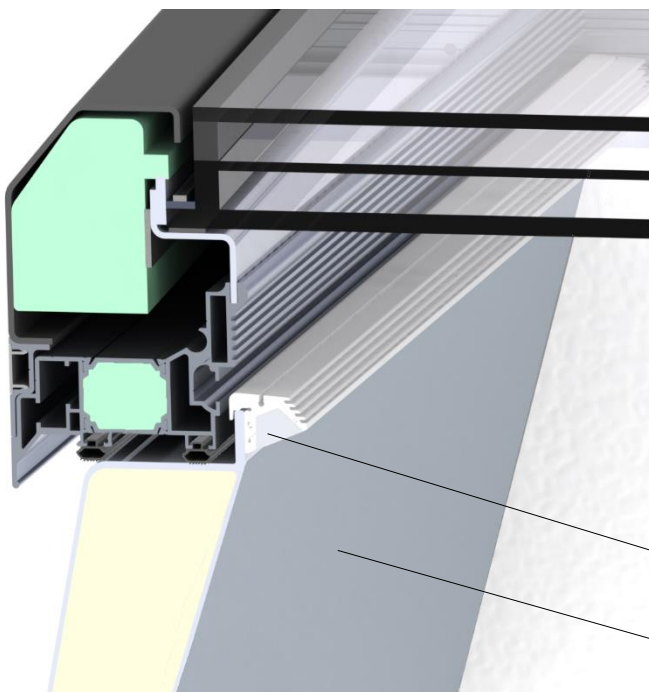
Coating:



Standard colour RAL 9016 Traffic-white

Optionally, the aluminium parts can be coated in all colours

Illumination:



LAMILUX REFLECTIVE

- The light transmittance of the daylight element is increased by up to 50% due to the patented principle of cladding with highly reflective aluminium material
- Up to 33% savings in energy used for artificial light
- Elegant surface finish gives high-quality interior appearance

LAMILUX PRISM-LED

- Outstanding design with slimline LED light strips
- Flicker-free dimming
- Minimal heat generation from artificial lights
- Very low energy consumption

LAMILUX LED strips installed around upper segment of upstand

LAMILUX REFLECTIVE coating on the upstand interior