

# BRINK ROUND SUPPLY DIFFUSER



**BRINK**

Multipurpose supply air diffuser designed for ease of use and aesthetics

## ADVANTAGES & PROPERTIES

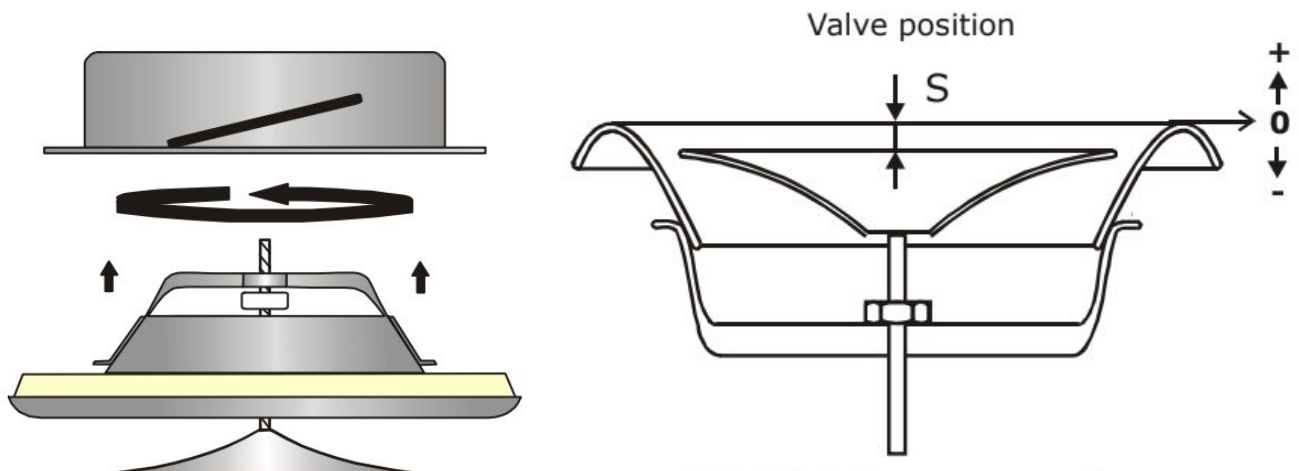
- DVS is an exhaust valve suitable for houses, offices etc.
- Good adjusting features
- Low noise level
- Quick and easy to install

## CONSTRUCTION

The Brink supply diffuser is manufactured from steel sheet, powder coated. Standard color white (RAL9010). The valve body has a gasket, made of cellular plastic and the control disc, with screw spindle, enables easy regulation and positional locking. Fixing collar is manufactured from galvanized steel sheet.

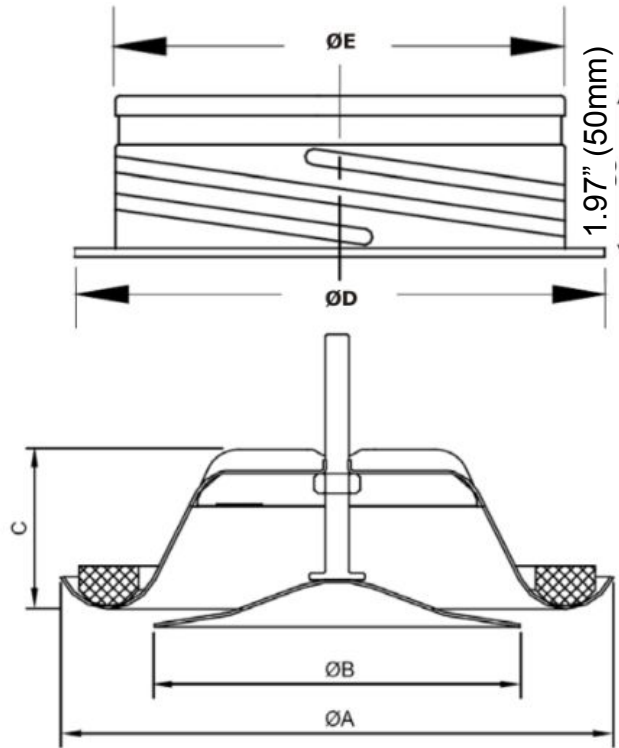
## REGULATION AND MEASUREMENTS

Regulation of airflow is achieved by turning the control disc to change adjustment dimensions. The measurement of airflow is made by a pressure difference measurement with a separate measuring tube. Refer to airflow measurement diagrams for information.



# BRINK ROUND SUPPLY DIFFUSER

## DIMENSIONS



	Ø 4.92" (125 mm)
A	6.69" (170 mm)
B	4.37" (111 mm)
C	1.81" (46 mm)
D	5.91" (150 mm)
E	4.88" (124 mm)
Weight of collar	8.11 oz
Weight of valve body	4.23 oz

