

KITCHEN EXHAUST



The Brink kitchen exhaust includes a grease filter and allows for adjustable flow.

PROPERTIES

- Square Brink kitchen exhaust register can be ceiling or wall mounted. Recommended to install the kitchen exhaust diffuser at least 6' from the range top.
- Made of white powder coated metal
- Includes an exhaust filter that keeps ducts/system clean
- Removable front cover to allow changing of filters.
- Flow can be set with damper on its interior.

MAINTENANCE / FILTER CLEANING

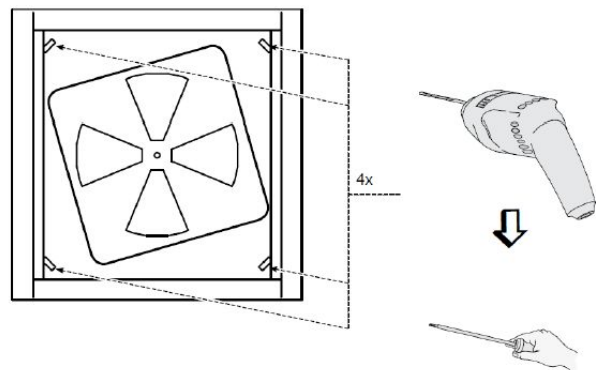
The following activities must be done by the user for maintaining the filter:

- Clean/wash filter every 3 months (minimum of 4 times a year)
- Replacing filter once a year

INSTALLATION

The kitchen exhaust air valve must be fastened absolutely over the 4 provided mounting holes with suitable screws to the ceiling!

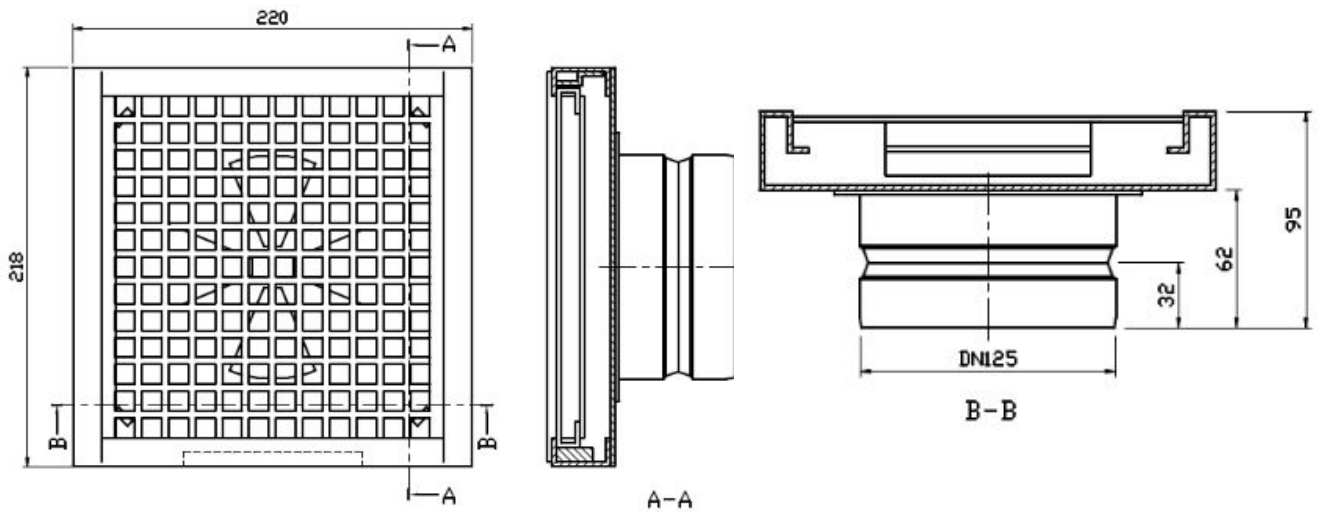
In case of unprofessional fastening the kitchen exhaust air valve can fall from the ceiling.



KITCHEN EXHAUST

DIMENSIONS

Dimensions in inches (mm)	
Length and width	8-9/16" (218mm) x 8-5/8" (220mm)
Height (inside finished wall)	1-1/4" (33mm)
Diameter duct connection	~5" (4-7/8"-125mm)



SETTING EXHAUST FLOW RATE

Set the desired flow rate by adjusting the damper. To access the damper - push the filter housing down on the spring. Flip the filter housing outward to remove it. Adjust damper. Once the desired flow rate is set - mark the position with a marker.

