

Electrical connection accessories (1 of 3)



Automatic boost timer 30 Minute Boost (goes to highest flow rate)

1. Connect RJ12 to X14 port on Brink FLAIR or PLUS PCB
2. Connect yellow and black wires to momentary switch
3. To activate boost mode, press switch less than 1 second



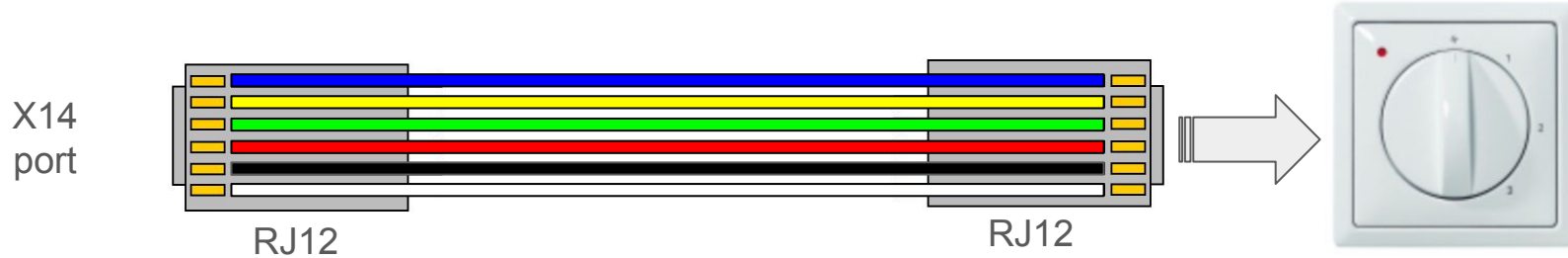
Note: If you press the switch for more than 3 seconds, the Brink FLAIR will set flow rate to highest flow rate until you manually change it on the Brink FLAIR itself (i.e. it won't end boost automatically after 30 minutes).

Electrical connection accessories (2 of 3)



4-Position Switch wiring (adjust the flow setting of the Brink FLAIR remotely)

1. Connect male to male RJ12 to X14 port on Brink FLAIR
2. Connect RJ12 to port on 4-position switch

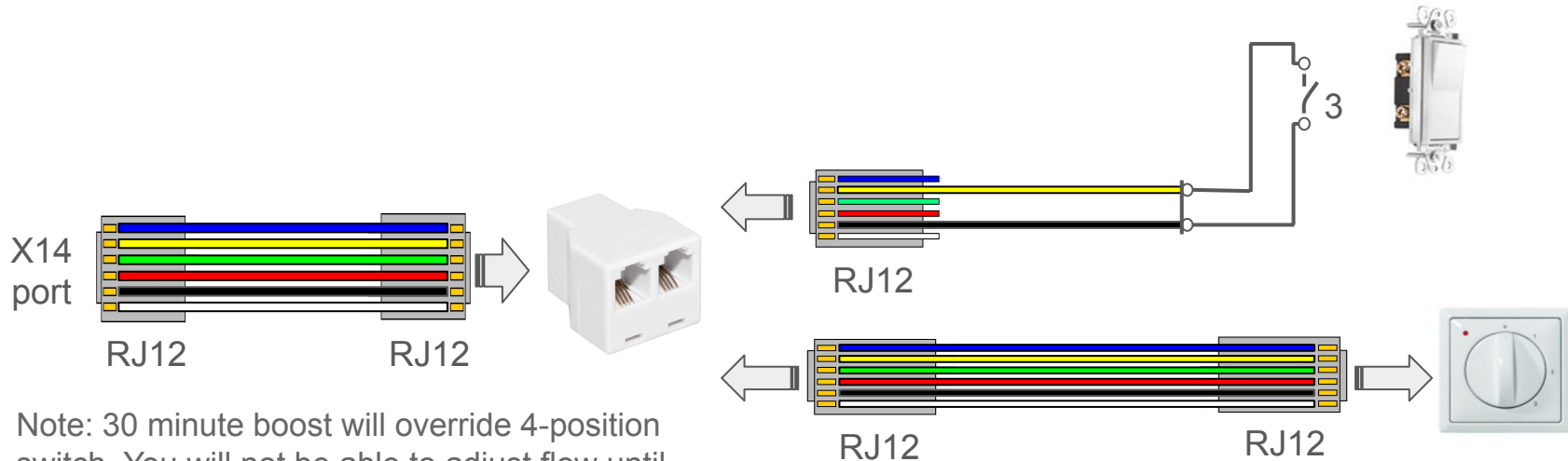


Electrical connection accessories (3 of 3)



4-Position switch and Boost switches

1. Connect RJ12 to X14 port on FLAIR or PLUS PCB
2. Connect RJ12 to splitter
3. Connect additional RJ12 cables to boost switches and 4-position switch as shown on page 1 and 2



Note: 30 minute boost will override 4-position switch. You will not be able to adjust flow until the end of the 30 minute interval