

BRINK

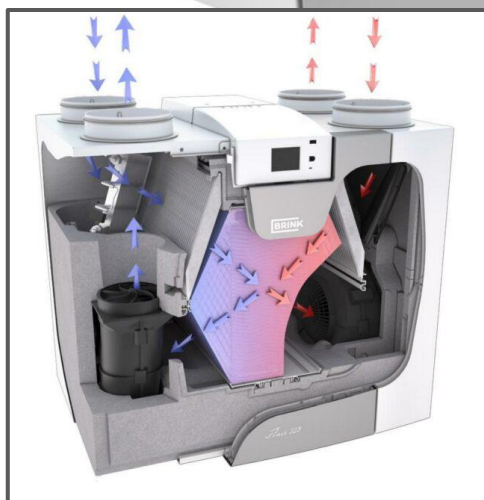
Heat & Energy Recovery Ventilation Units

Full color touch screen

Easily accessible connections



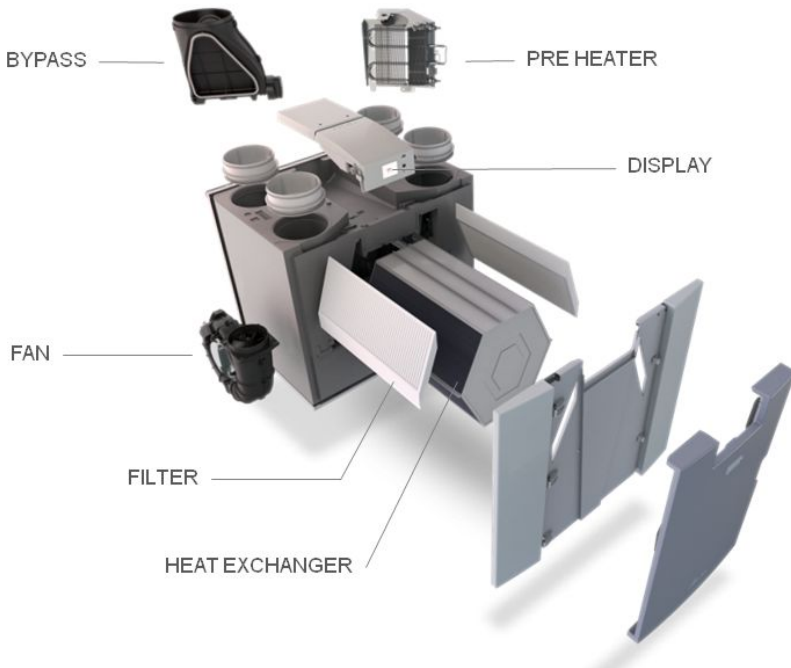
Intuitive user interaction



Distributed exclusively by

475 HIGH PERFORMANCE
BUILDING SUPPLY
www.475.supply

FRESH AIR AND OPTIMIZED COMFORT ALL YEAR ROUND



The importance of effective ventilation has never been more obvious. Studies show we spend up to 90% of our lives indoors. Optimum air quality is achieved by balanced ventilation with heat recovery (HRV/ ERV). Day in, day out, this sustainable ventilation system from BRINK efficiently and effectively ensures fresh, filtered air in your home.

ADVANTAGES

- Highest efficiency ratio (PHI) in USA/Canada
- CO₂ and R.H. trigger flow boost when needed
- Full-color touch screen
- BRINK home app
- Efficient boost switch options
- Includes ball syphon, pre-heater and bypass
- Next generation fans with constant airflow

TECHNICAL SPECIFICATIONS

	Flair 325	Flair 400
Maximum ventilation capacity	191 CFM (325 m ³ /h)	235 CFM (400 m ³ /h)
HRV Heat recovery efficiency PHI	91%	89%
ERV Heat recovery efficiency PHI ERV enthalpy recovery efficiency PHI	86% 77%	84% 71%
Specific fan energy PHI (Wh/m ³) Wh/CFM	0.21 Wh/m ³	0.20 Wh/m ³
Power supply	230V - 50/60hz - 15 amp Nema 6-15 plug	
Dimensions duct connections	6" (160 mm)	7" (180 mm)
Dimensions version 4/0, L/R [H x W x D]	25.6" x 29.5" x 22.0" (650 x 750 x 560 mm)	