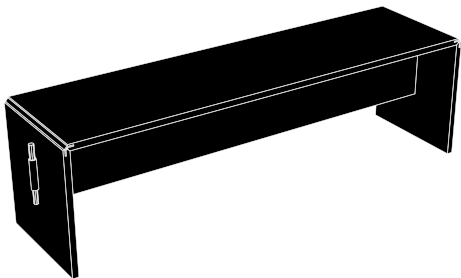


TAKT™

T14 Plint Coffee Table

Building Instructions



Important Notice

Only use the listed tools.

Do **not** use power tools.

Tighten in accordance with the building instructions.

Avoid over-tightening.

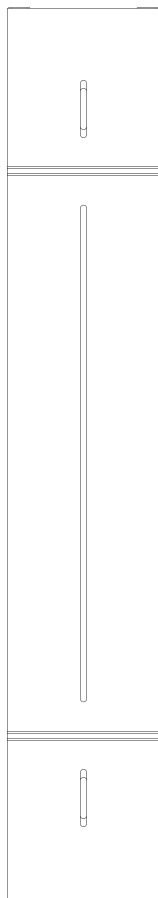
There is no need for strong force.

1x sides and top

2x wedges



1x apron



Product Information

‘T14 Plint Coffee Table’ is a table designed for indoor use. The table is tested according to EN-15372 - L2

Weight

8,2 kg (Pine)

9,8 kg (Oak)

Materials

Frame: Solid wood and leather

Wedges: Solid wood

Surface treatment: Oil

Tests & Declarations

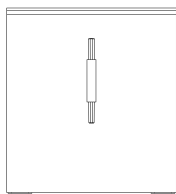
The table has passed the furniture test EN-15372 - L2

The table is not treated with or containing disinfective biocides.



The mark of
responsible forestry

Dimensions

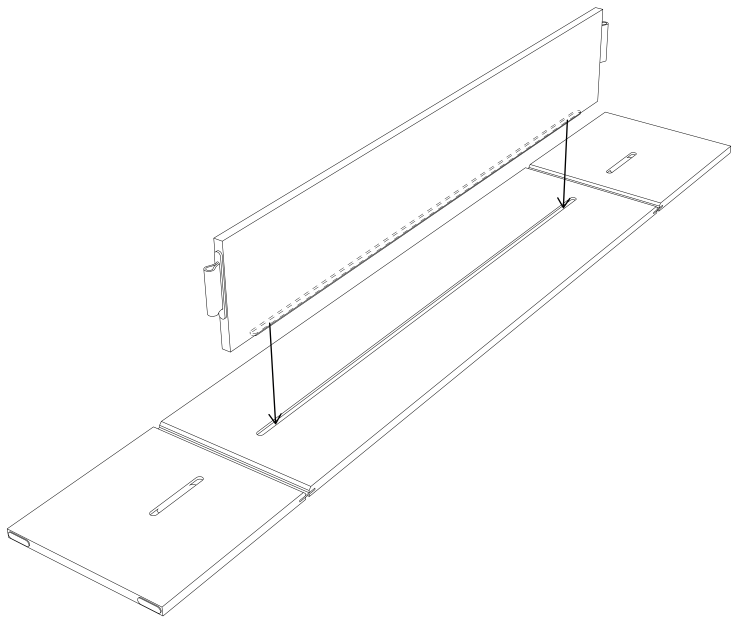


320 mm



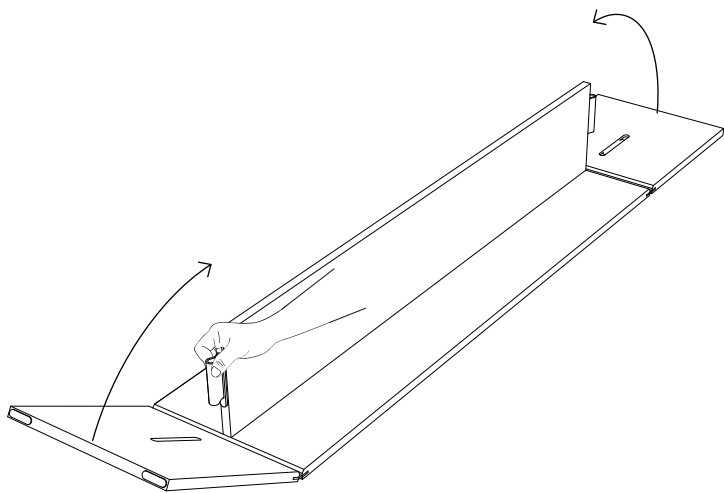
350 mm

1231 mm



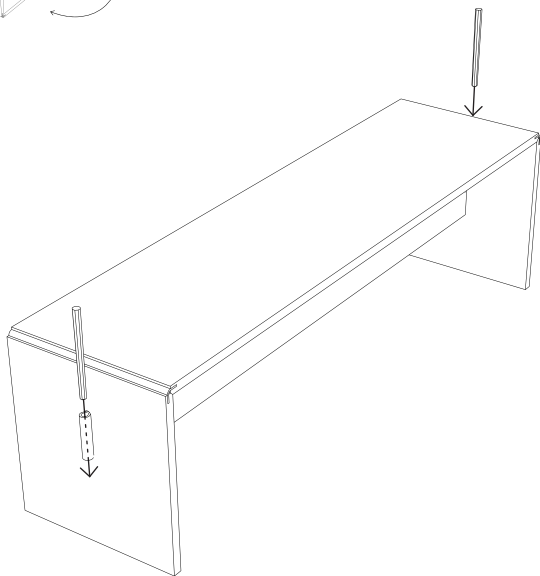
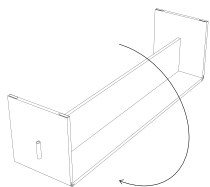
6

Place apron in groove



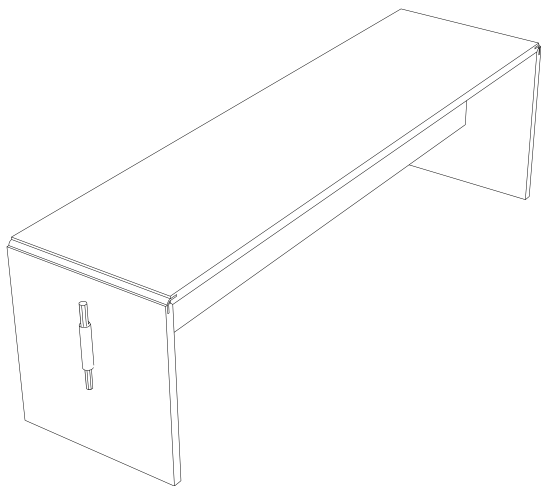
Flip up sides and pinch leather while guiding loops through holes

7



8

Insert wedges in leather loops



Enjoy your new table

Additional Information

TAKT provides an extended warranty of 5 years on 'T14 Plint Coffee Table'.

Warranty

TAKT provides an extended warranty of 5 years on 'T14 Plint Coffee Table'. The warranty covers breakage of components and damage occurred because of deficient craftsmanship under normal use.

The warranty shall lapse if the product shows signs of inappropriate use or other physical damage. The warranty does not cover wear or damage to upholstery, wheels, surfaces and the like.

Maintenance

TAKT maintenance guide is accessible on our website

[www.taktcp.com/
product-care/](http://www.taktcp.com/product-care/)

Spare Parts

TAKT offers spare parts for 'T14 Plint Coffee Table'. Spare parts are available from TAKT without charge for a period of 5 years from the date of purchase if the parts are found to be faulty during normal use. If the parts are damaged by misuse spare parts can be bought from TAKT.

TAKT always strives to deliver spare parts to you in the fastest and most efficient way in order for your furniture to return to a functional condition.

Please contact TAKT for inquiries regarding spare parts.

Recycling & Disassembly

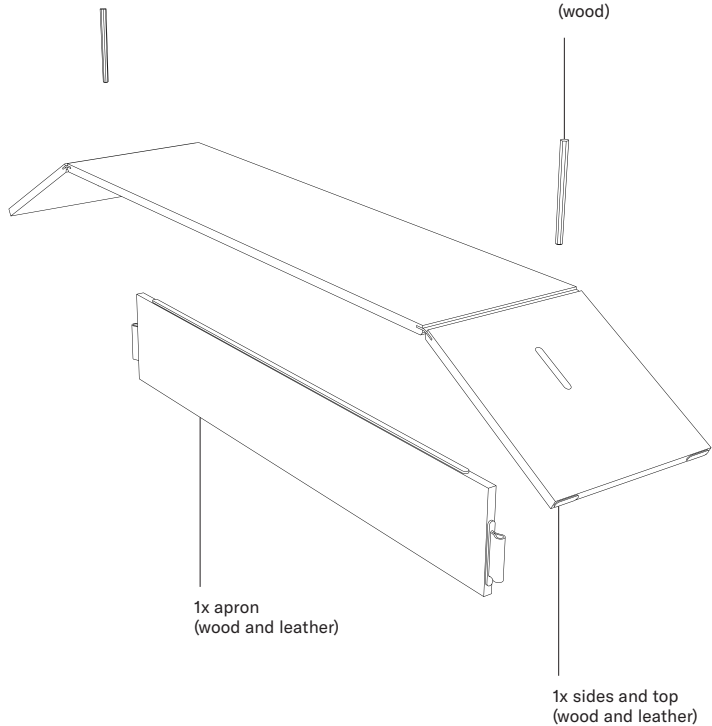
We hope that your TAKT product will serve you well for many, many years.

If you at one point want to recycle it, please separate it into components for sorting.

Wooden parts can be delivered to a suitable recycling facility and be recycled.

info@taktcp.com

2x wedges
(wood)



TAKT™

taktcp.com