

TAKT™

TO1 Cross Chair with Seat Pad



Building Instructions

T01 Cross Chair with Seat Pad

Building Instructions

Important Notice

Only use the listed tools.

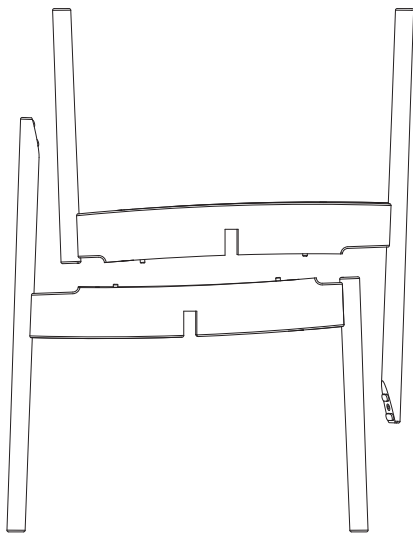
Do **not** use power tools.

Tighten in accordance with the building instructions.

Avoid over-tightening.

There is no need for strong force.

2 x base components



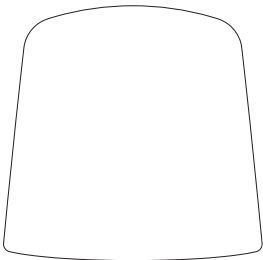
1x backrest



4x screws (95mm)



1x seat pad



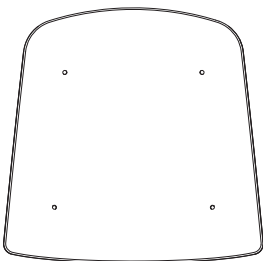
4x metal washers



2x screws (20mm)



1x seat



2x metal collars



1x Allen key



Product Information

'T01 Cross Chair with Seat Pad' is a chair designed for indoor use in private homes. The chair is made for use by one person and can withstand a weight of 130 kg according to EN-16139.

Weight

5,7 kg

Materials

Seat and back: Moulded plywood (oak and beech)

Frame: Solid oak

Seat pad: Ecolabelled leather or textile,
PU-foam, plywood.

Surface treatment: Water-based lacquer

Fittings: Steel

Tests & Declarations

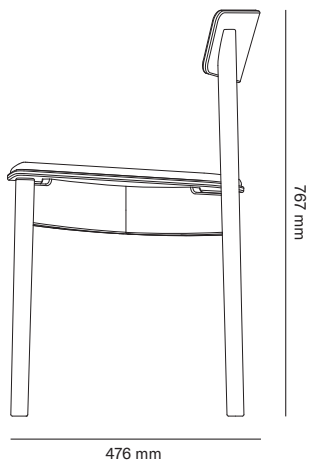
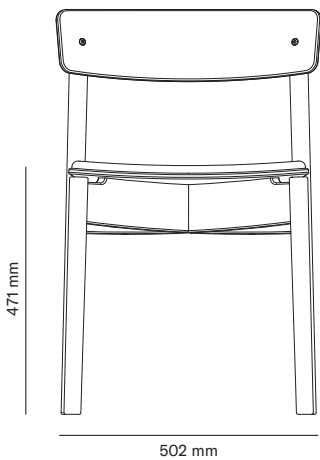
The chair has passed the furniture test EN-16139.

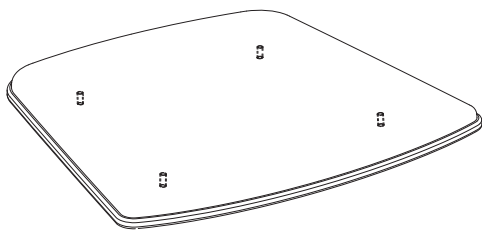
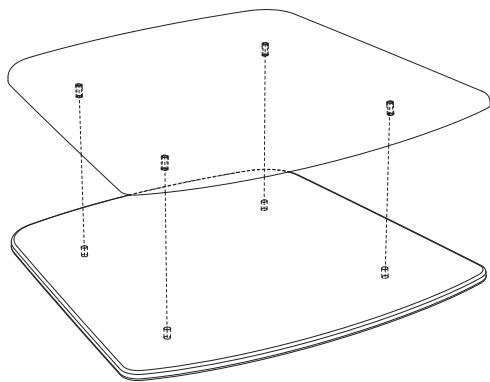
The chair is not treated with or containing disinfective biocides.

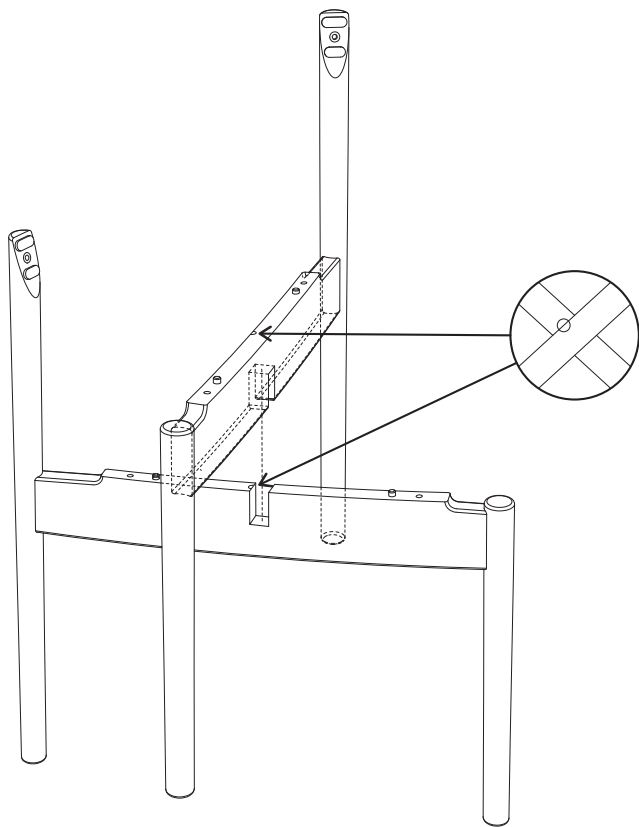


The mark of
responsible forestry

Dimensions

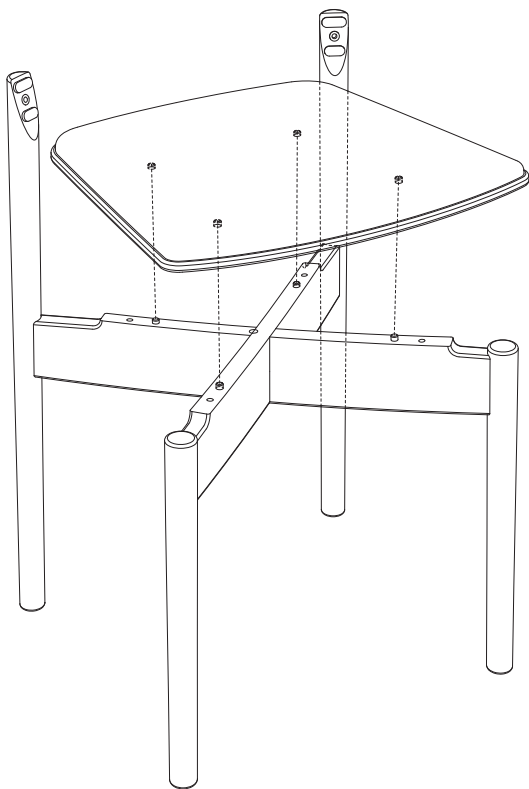






Join the base components

9



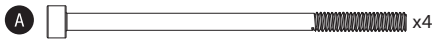
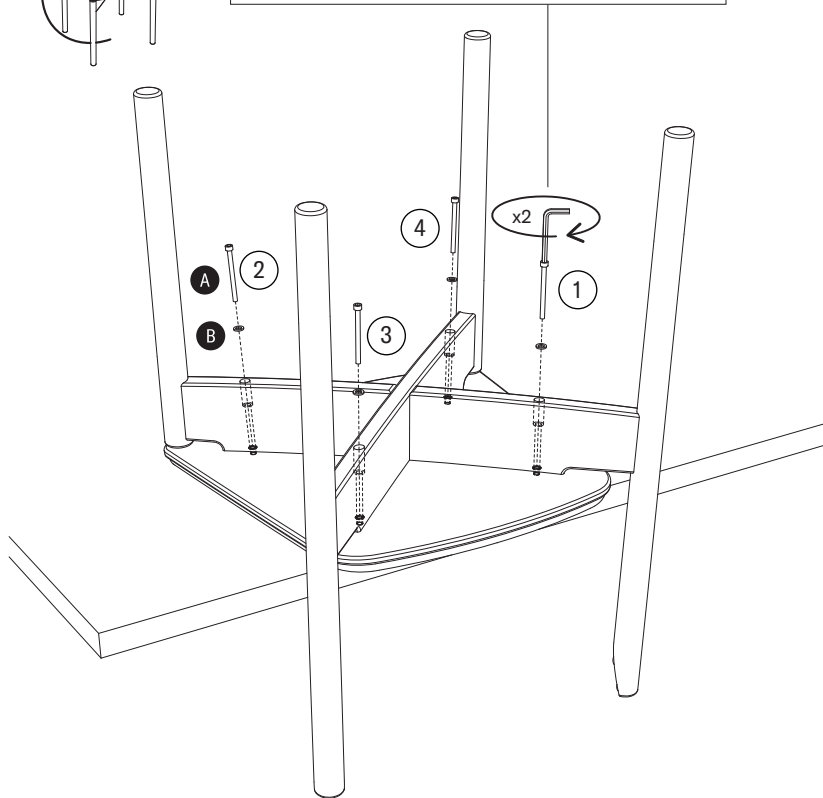
10

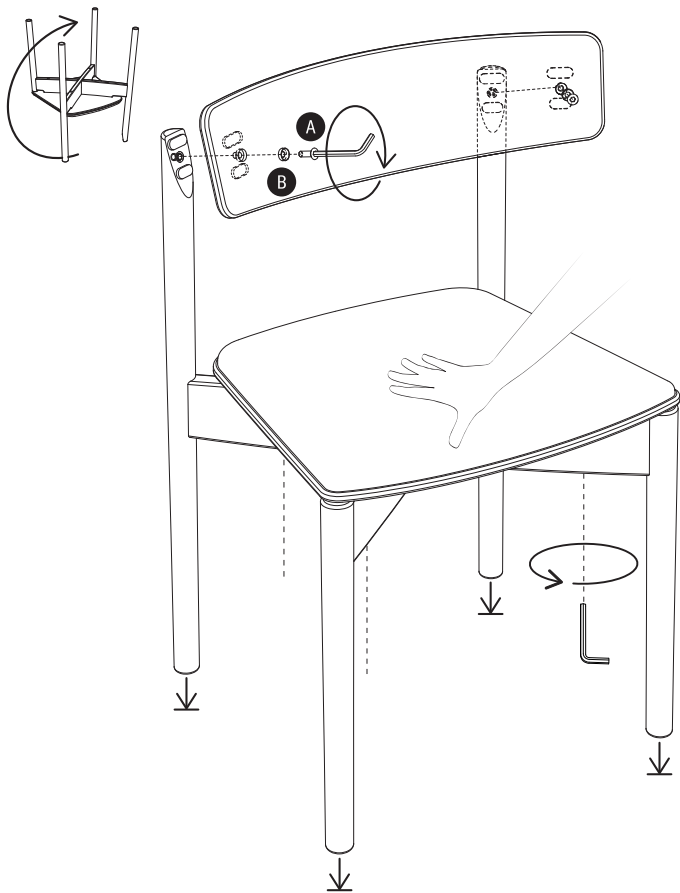
Place the seat on top of the base components



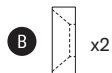
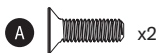
Important note!

Turn all screws in sequence 1 to 4 - ONLY two rounds.
Make sure the screw easily grips the thread.

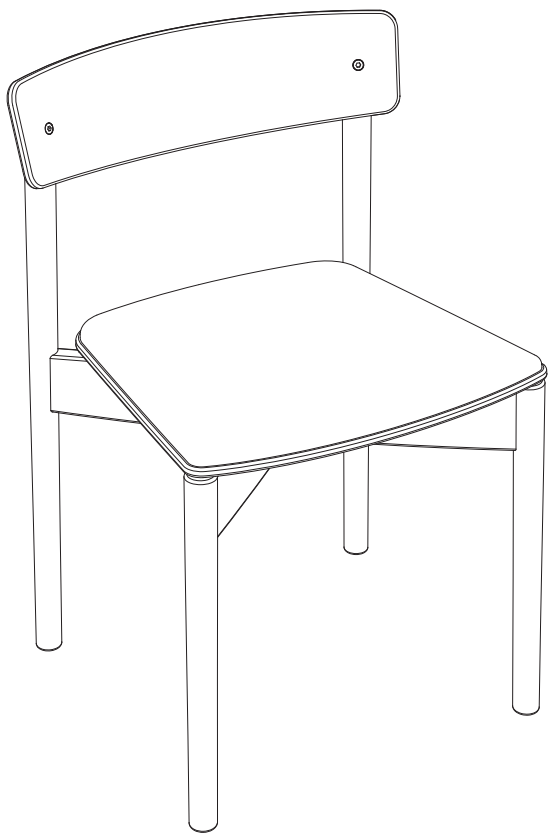




12



Push down on the seat and make sure all legs are touching the floor. Then tighten all screws. **Notice:** Do **not** over-tighten.



Enjoy your new chair

13

Additional Information

TAKT provides an extended warranty of 5 years on 'T01 Cross Chair with Seat Pad'.

Warranty

The warranty covers breakage of frames and damage occurred because of deficient craftsmanship under normal use.

The warranty shall lapse if the product shows signs of inappropriate use or other physical damage. The warranty does not cover wear or damage to upholstery, wheels, surfaces and the like.

Spare Parts

TAKT offers spare parts for 'T01 Cross Chair with Seat Pad'. Spare parts are available from TAKT without charge for a period of five years from the date of purchase if the parts are found to be faulty during normal use. If the parts are damaged by misuse, spare parts can be purchased from TAKT.

TAKT always strives to deliver spare parts to you in the fastest and most efficient way in order for your furniture to return to a functional condition.

Please contact TAKT for enquiries regarding spare parts.

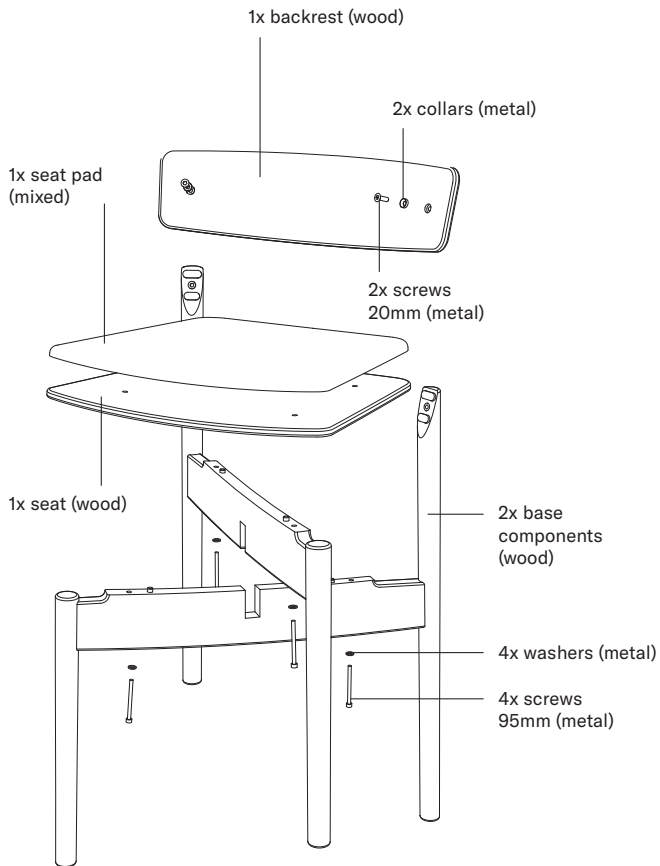
Recycling & Disassembly

We hope that your TAKT product will serve you well for many, many years. If you at one point want to recycle it, please separate its components for sorting.

Loosen screws by turning the Allen key counterclockwise to separate the different parts.

Metal parts can be delivered to a suitable facility for recycling. Wooden parts can also be delivered to a suitable facility for recycling or used for energy recovery through incineration.

Seat pad consists of mixed materials and cannot be recycled. It is disposed of by incineration.



TAKT™

taktcph.com