

Truss Frame

Assembly Instructions

PN 10800

RECOMMENDED TOOLS



Wrenches or sockets:
M14 (or 9/16")
M15 (or 5/8")



Cordless Drill



Rubber Mallet

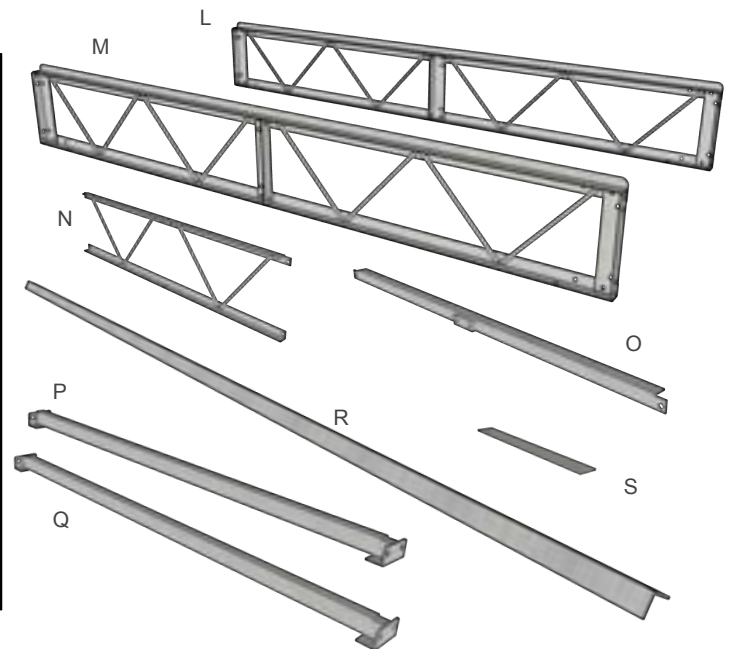


Work Gloves

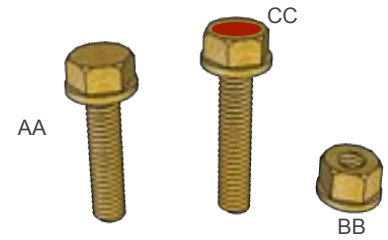


FRAME PACKAGE COMPONENTS

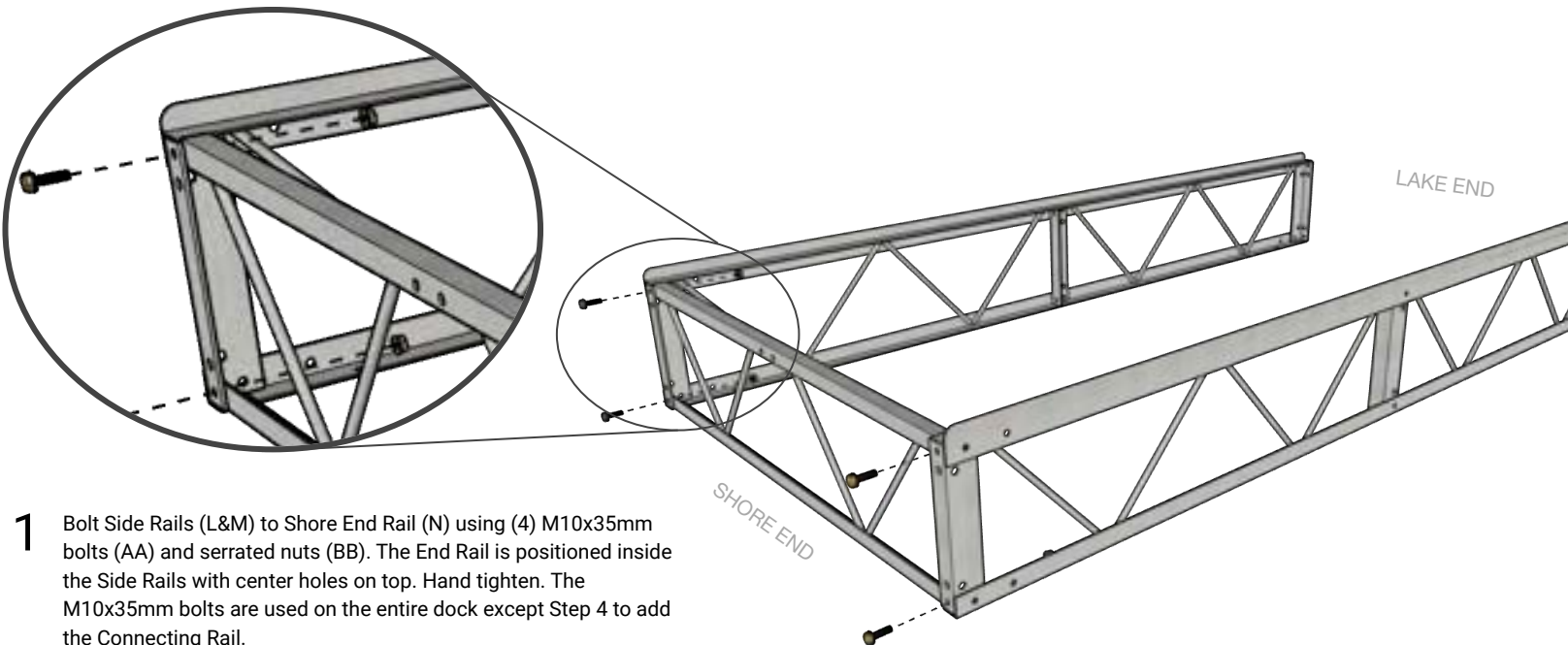
	Part Number	Description	Qty
L	10800-1	LEFT SIDE RAIL (Marked L)	1
M	10800-2	RIGHT SIDE RAIL (Marked R)	1
N	10803	END RAIL	2
O	10800-4	CONNECTING RAIL	1
P	10800-5	SHORT CENTER SUPPORT TUBE	1
Q	10800-6	LONG CENTER SUPPORT TUBE	1
R	10800-7	DIAGONAL BRACE	1
S	10802	TRUSS FRAME TRANSITION PLATE	1



Truss Frame Hardware Descriptions		QTY.
AA	M10x35mm Flange Bolt	22
BB	M10 Flange Serrated Nut	24
CC	M10x40mm Flange Bolt (RED)	2

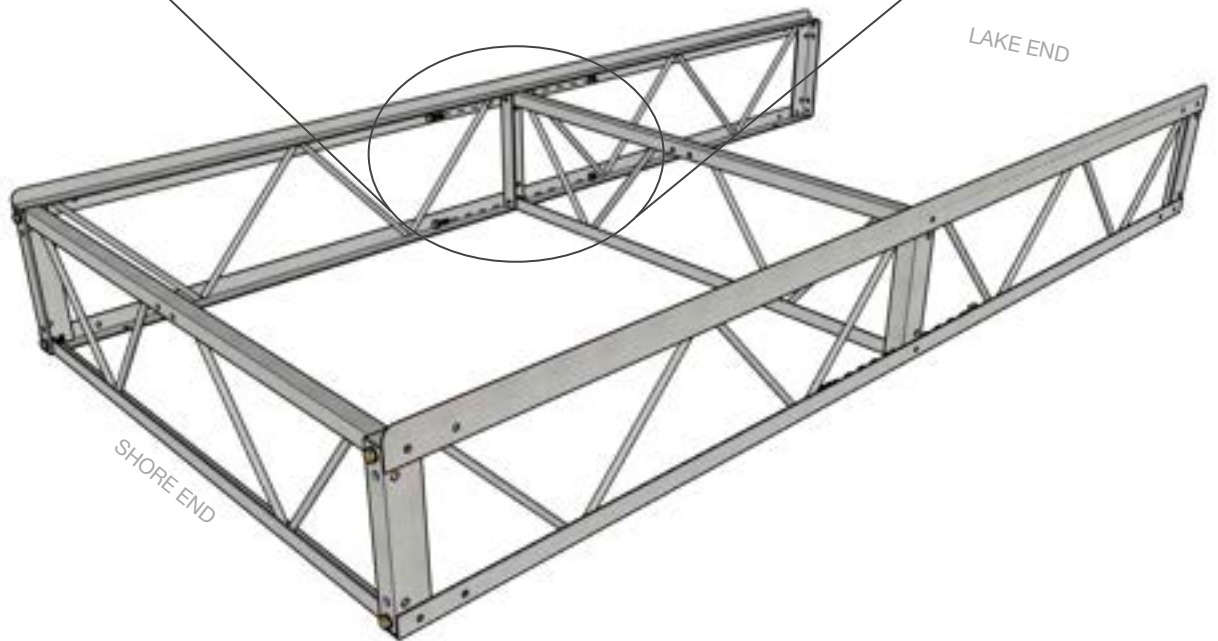
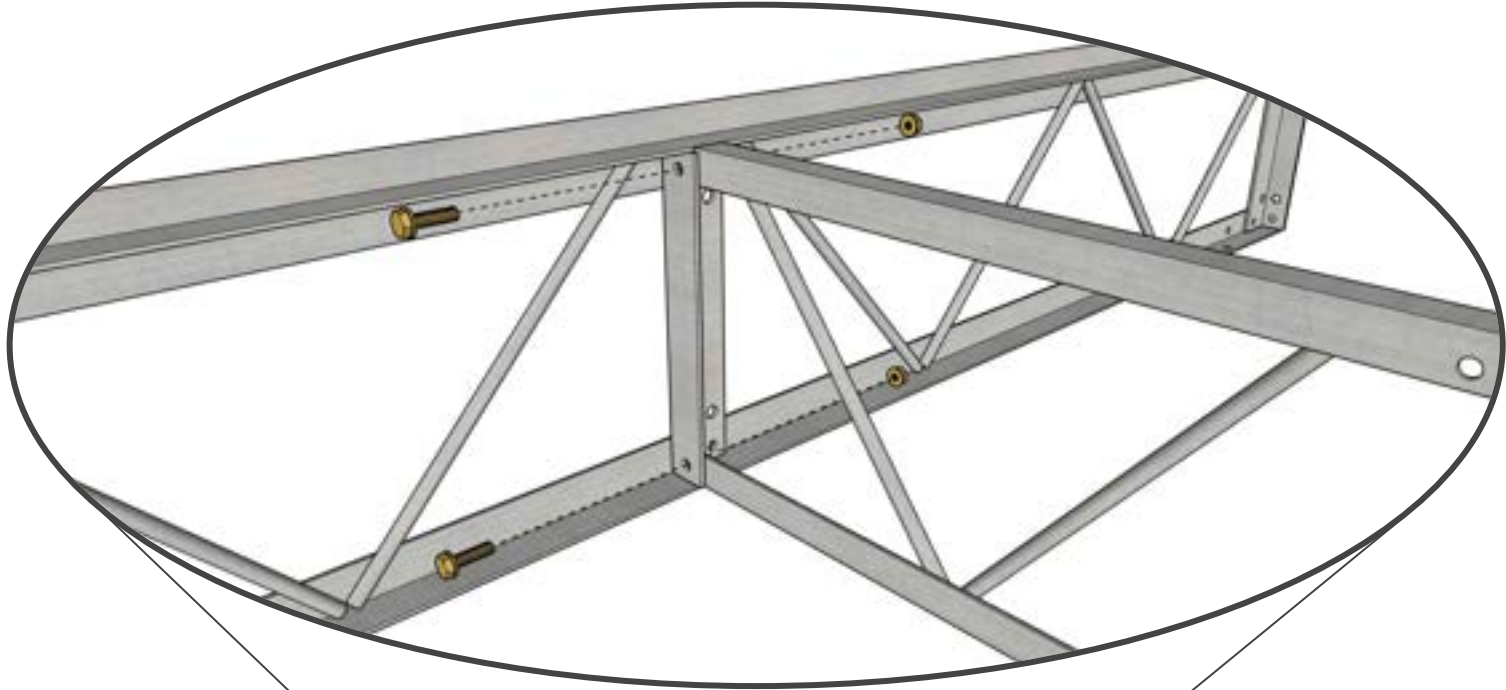


Truss Frame Assembly Instructions:

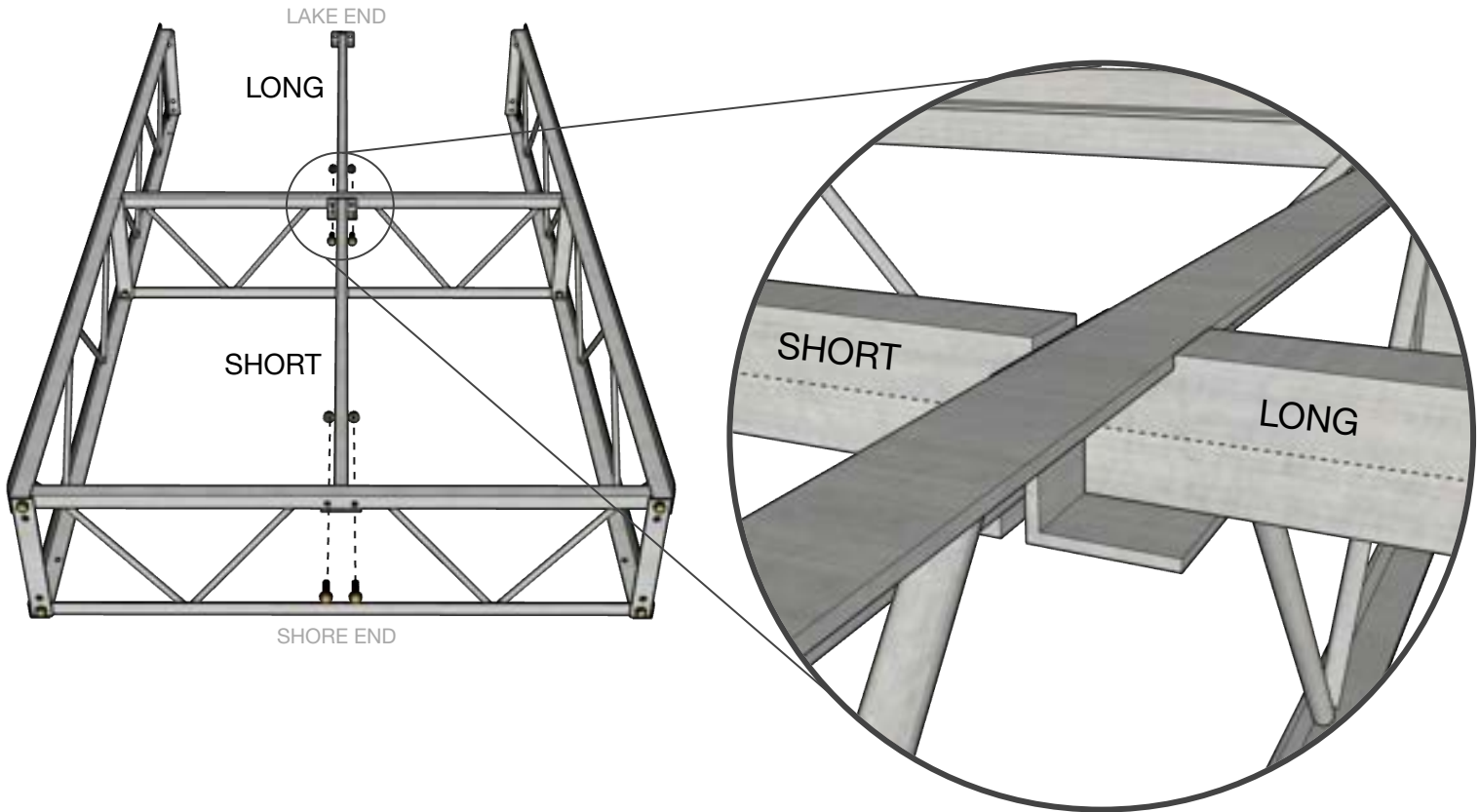


- 1 Bolt Side Rails (L&M) to Shore End Rail (N) using (4) M10x35mm bolts (AA) and serrated nuts (BB). The End Rail is positioned inside the Side Rails with center holes on top. Hand tighten. The M10x35mm bolts are used on the entire dock except Step 4 to add the Connecting Rail.

- 2 Bolt Middle End Rail (N) to Side Rails with (4) M10x35mm bolts. End rail fits inside Side Rail Angles. Hand tighten.



- 3 Bolt Short and Long Center Support Tubes (P&Q) to End Rails with M10x35mm bolts. The Short Center Support Tube has one notch facing up, and the Long Center Support Tube has two. Hand tighten bolts.



- 4 Attach Connecting Rail (O) to Side Rails and Long Center Support Tube. Use **M10x40mm** bolts (CC - marked with red) for the bolts in the center only. Please see Patriot Docks Dock Instructions if connecting to multiple frames. If you purchased PN10803 End Rail, disregard Connecting Rail, attach End Rail in this location instead.

