

Hinge Kit

Assembly Instructions

Truss Hinge Kit (PN 10845)
Low Profile Hinge Kit (PN 10847)

RECOMMENDED TOOLS



Wrenches or sockets:
M14 (or 9/16")
M15 (or 5/8")



Cordless Drill



Screwdriver
(Phillips)



Work Gloves

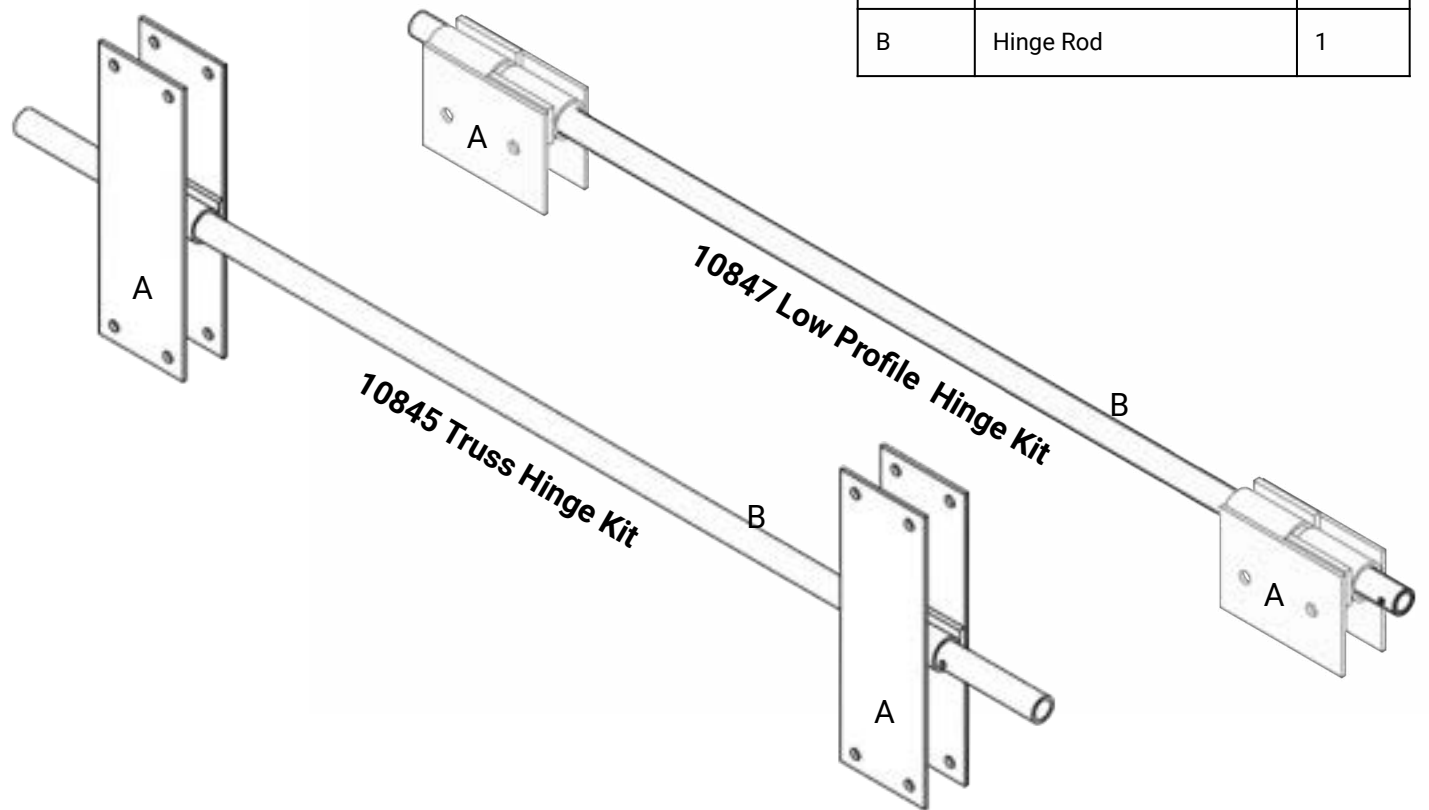


Rubber Mallet



Hinge Kit

Components

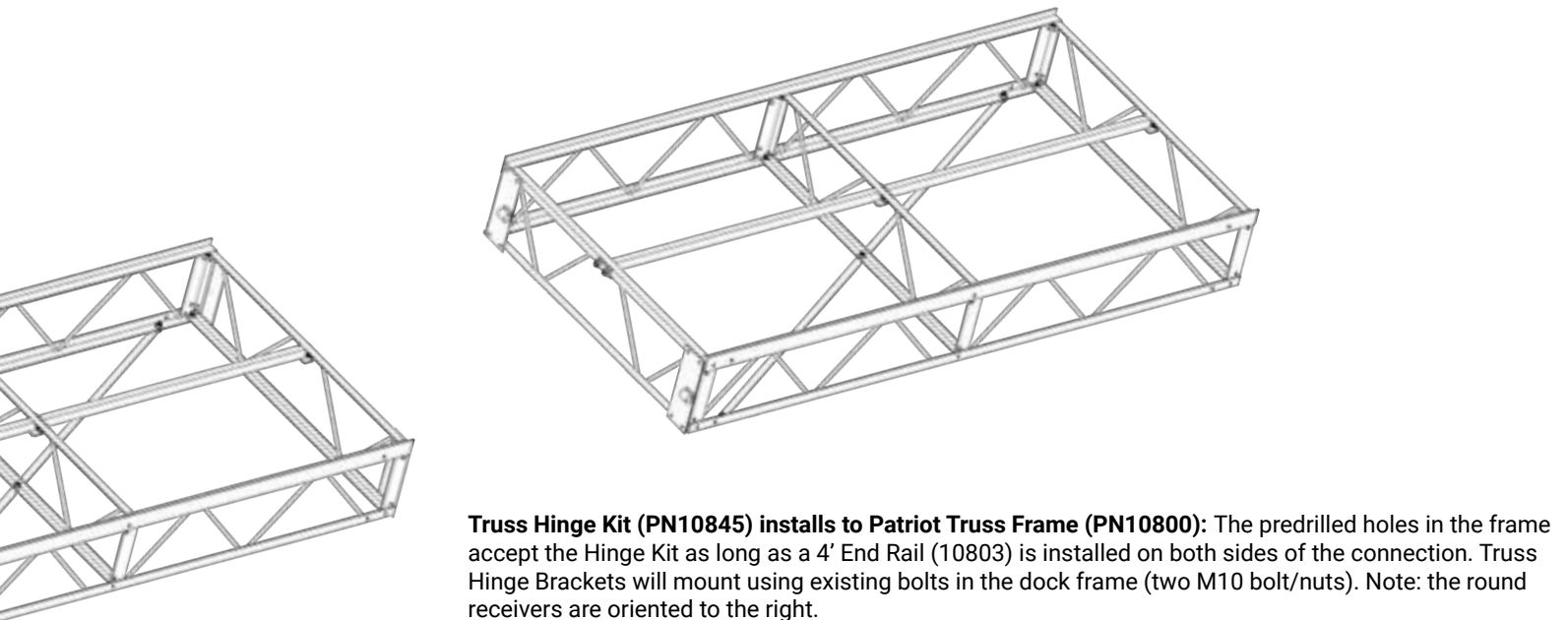
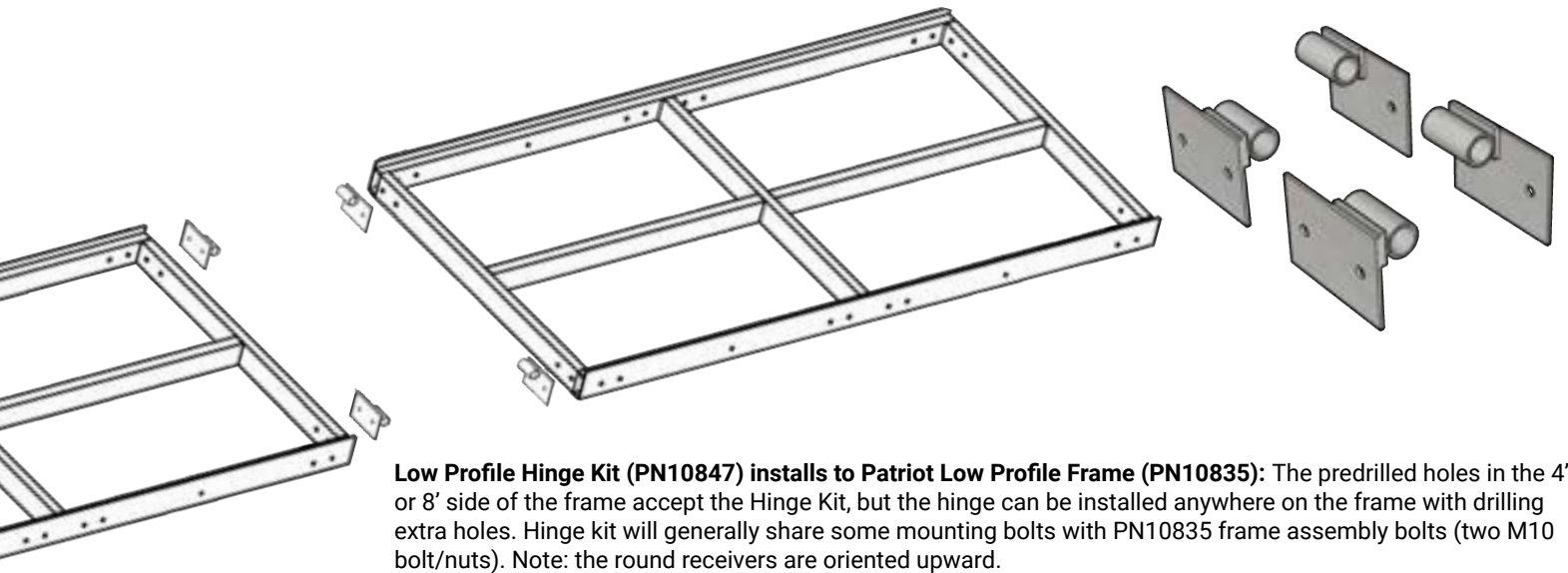


PARTS		
	DESCRIPTION	QTY
A	Hinge Brackets	4
B	Hinge Rod	1

HARDWARE		
	DESCRIPTION	QTY
AA	M10x50mm Flange Bolt	8
BB	M10 Serrated Flange Nut	8
CC	M6x30mm Button Head Bolt (Phillips)	2
DD	M6 Nyloc Nut	2



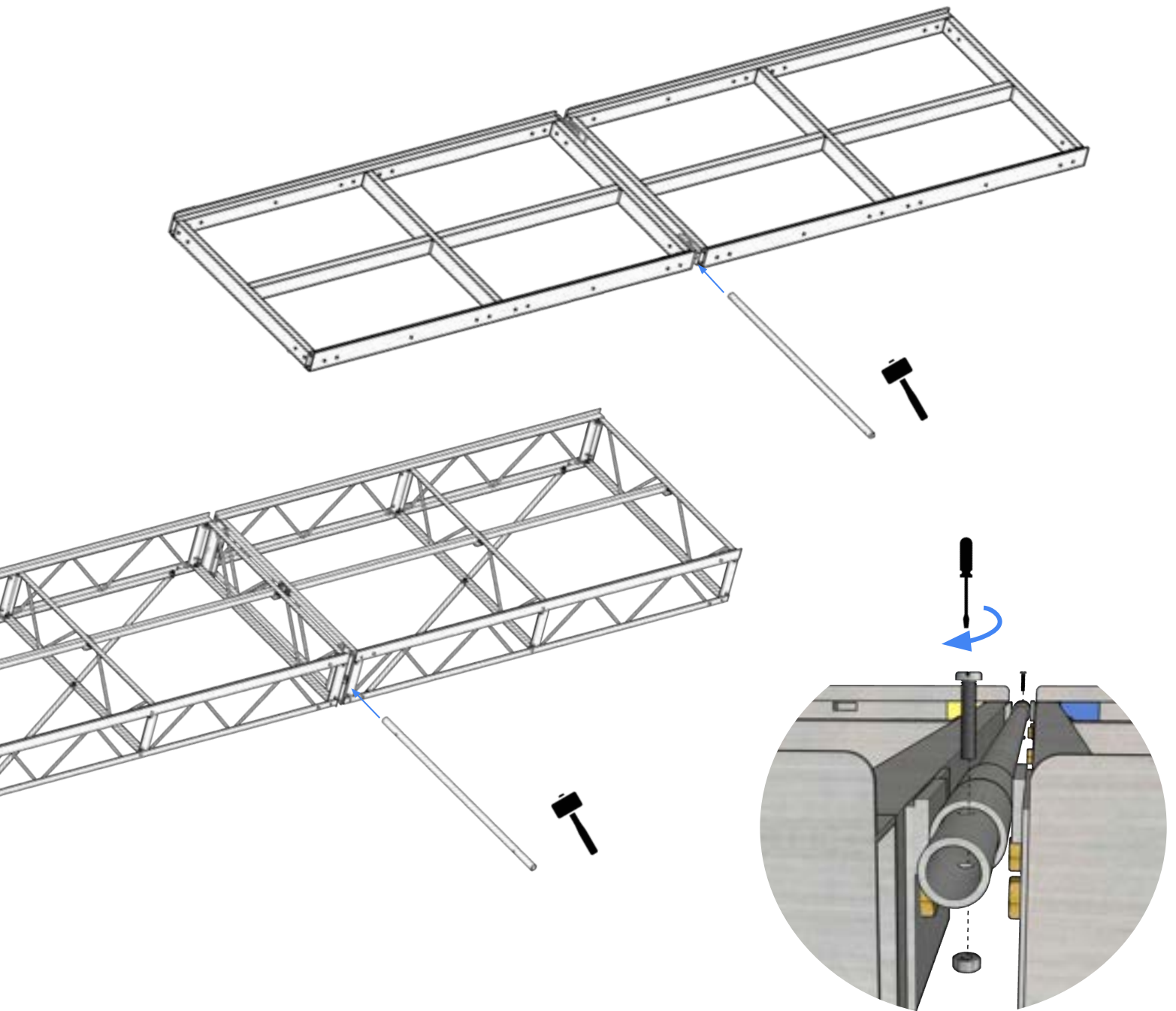
- 1 Install (4) Hinge Kit Brackets to the dock frame on both sides of the connection. The round receivers and align with one another when frames are joined.



Hinge Kit

Assembly Instructions

- 2 Bring the frames together and align the hinge brackets. Insert the Hinge Pipe through the sleeves on the hinge plates. A rubber mallet may help to tap the rod in place.



- 3 Secure in place by inserting (2) M6 bolt/nut through the pre-drilled hole in each side of the hinge pipe.