

Gangway

Assembly Instructions

8' Gangway
16' Gangway

RECOMMENDED TOOLS



Wrenches or sockets:
M14 (or 9/16")
M15 (or 5/8")



Cordless Drill



Rubber Mallet



Screwdriver
(Phillips)



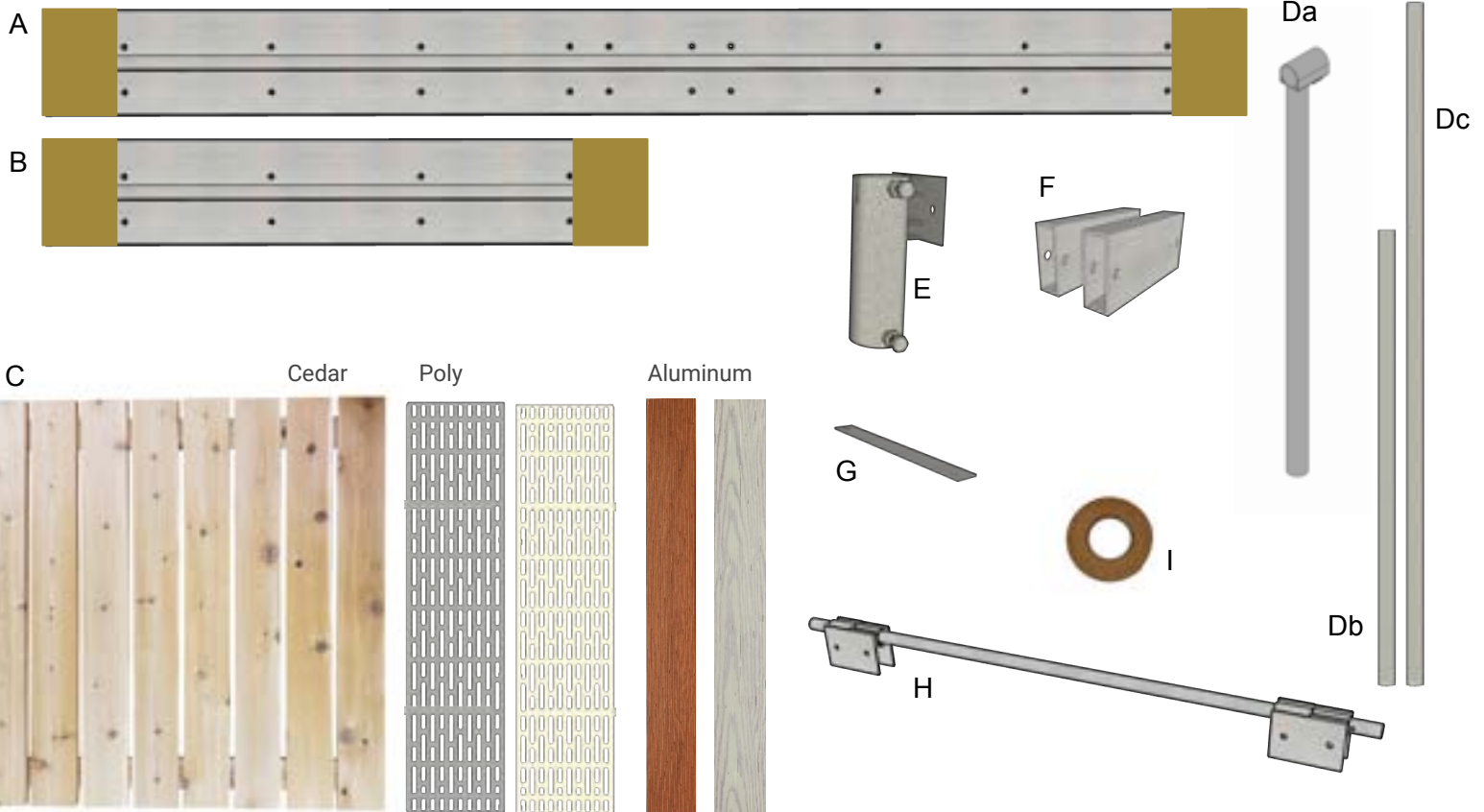
Work Gloves



Gangway

Components

	PART NUMBER	DESCRIPTION	QTY 8' Gangway	QTY 16' Gangway
A	10835	4'x8' Low Pro Frame Assembly	1	1
B	10834	4'x4' Low Pro Frame Assembly	0	2
C	10870/10851/10861/ 10957/10977	Decking Panel Box (Cedar/Gray Poly/Tan Poly/ Gray Alum/Brown Alum)	2	4
Da	10933	Handrail Assembly Verticals	4	8
Db	10933	Handrail Assembly 4' Horizontal Pipe	0	4
Dc	10933	Handrail Assembly 8' Horizontal Pipe	2	2
E	10937	Low Profile Stationary Pipe Holder	4	8
F	10805	Low Profile Splice Tubes	0	4
G	10802	Transition Plate	0	4
H	10845	Low Profile Hinge Kit	1	1
I	10854	Cork Roll	1/2	1



Gangway

Components

A. EACH 8ft FRAME PACKAGE COMPONENTS

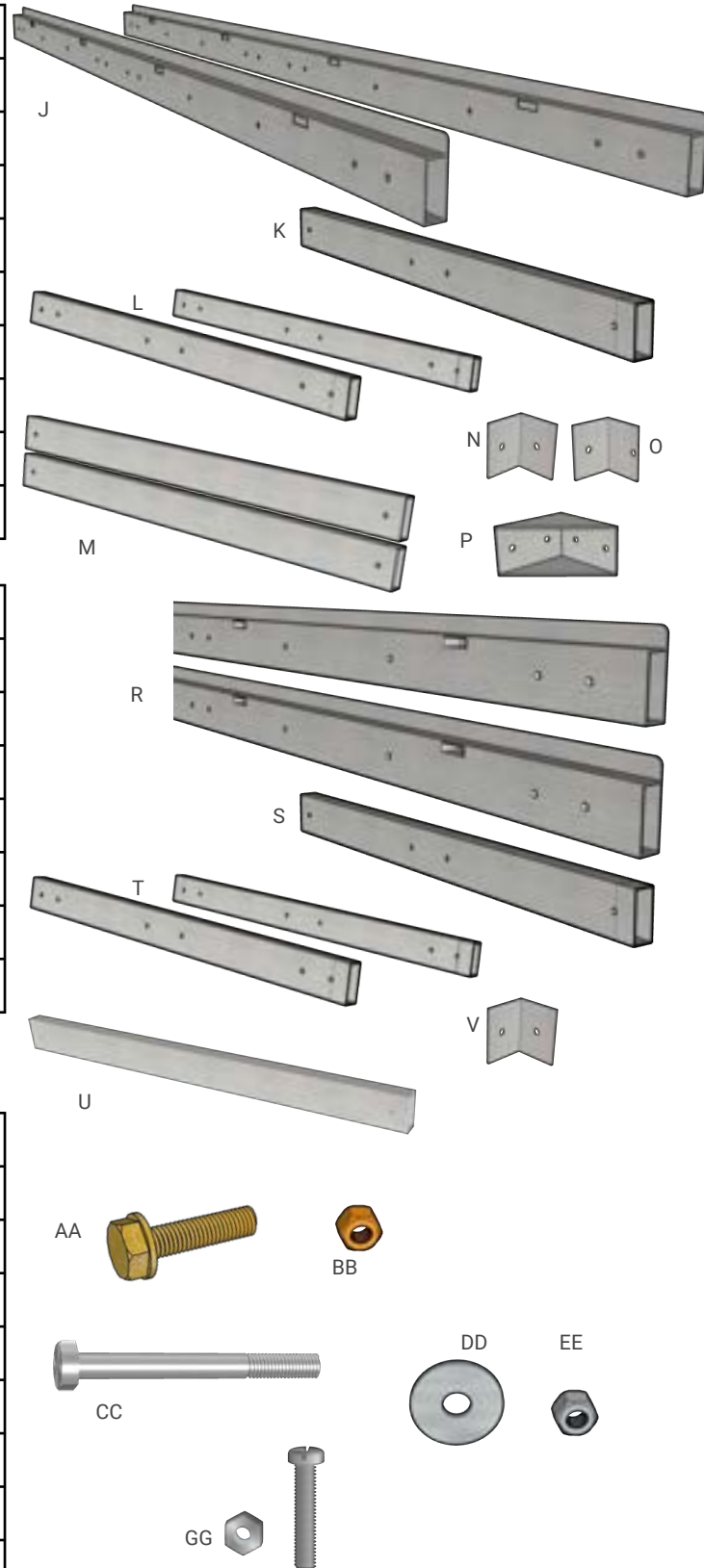
	Part Number	Description	Qty
J	10835-1	SIDE TUBE	2
K	10835-2	CENTER TUBE	1
L	10835-3	END TUBE	2
M	10835-4	STRINGER TUBE	2
N	10835-5	ANGLE 5	4
O	10835-6	ANGLE 6	2
P	10835-7	ANGLE 7 (Gusset)	2
	NA	FRAME ASSEMBLY HARDWARE KIT	

B. EACH 4ft FRAME PACKAGE COMPONENTS

	Part Number	Description	Qty
R	10834-1	SIDE TUBE	2
S	10834-2	CENTER TUBE	1
T	10834-3	END TUBE	2
U	10834-4	STRINGER TUBE	1
V	10834-5	ANGLE 5	6
	NA	FRAME ASSEMBLY HARDWARE KIT	

GANGWAY HARDWARE

	Part Number	Description	Qty
AA	NA	M10x60mm bolts	28 or 52
BB	NA	M10 Nuts	28 or 52
CC	NA	4" Bolt	0 or 8
DD	NA	Fender Washer	0 or 16
EE	NA	M10 Nyloc Nut	0 or 16
FF	NA	Self Tapping Screws	0 or 8
GG	NA	M6x30mm Bolt and Nuts	2



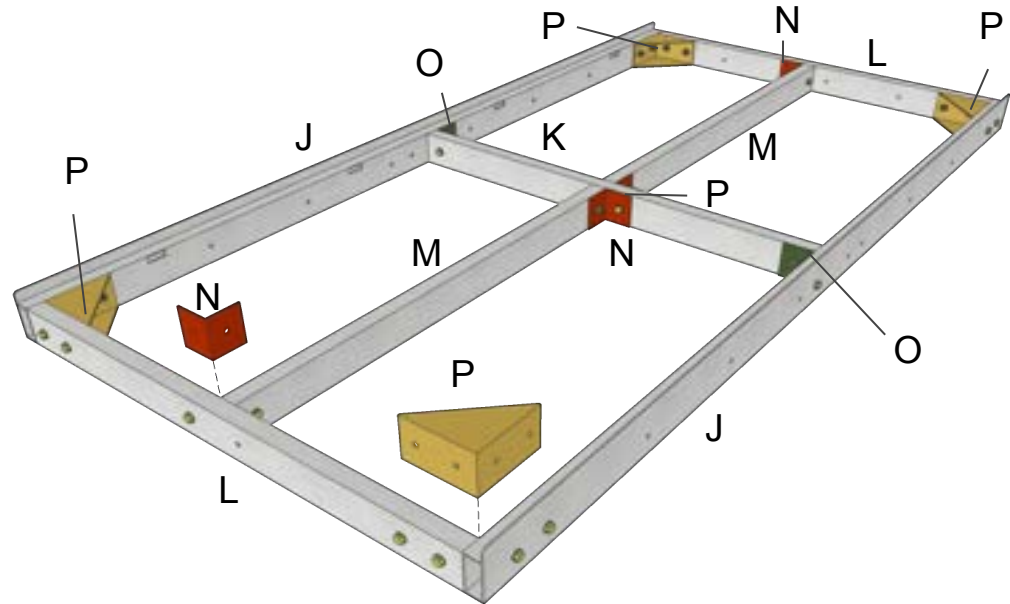
Gangway

Frame Assembly

- Unwrap frames and components. Loosely assemble frames. Frames and components will share hardware. When assembling 8' Gangway, layout 8' Frame Assembly as shown and skip to Step 5. When assembling a 16' Gangway, layout all frames as shown and continue to step 2.

8' Frame Assembly:

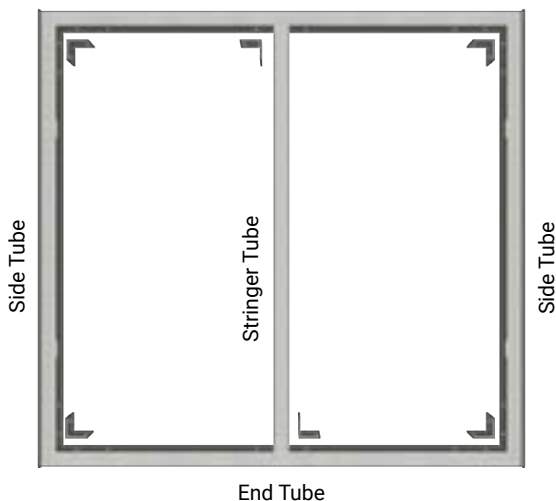
Lay out the pieces as shown in the diagram below. Use M10x60mm bolts/nuts, loosely assemble frame using angles.



A. EACH FRAME PACKAGE COMPONENTS

	Part Number	Description	Qty
J	10835-1	SIDE TUBE	2
K	10835-2	CENTER TUBE	1
L	10835-3	END TUBE	2
M	10835-4	STRINGER TUBE	2
N	10835-5	ANGLE 5	4
O	10835-6	ANGLE 6	2
P	10835-7	ANGLE 7 (GUSSET)	4
NA		FRAME ASSEMBLY HARDWARE	

End Tube



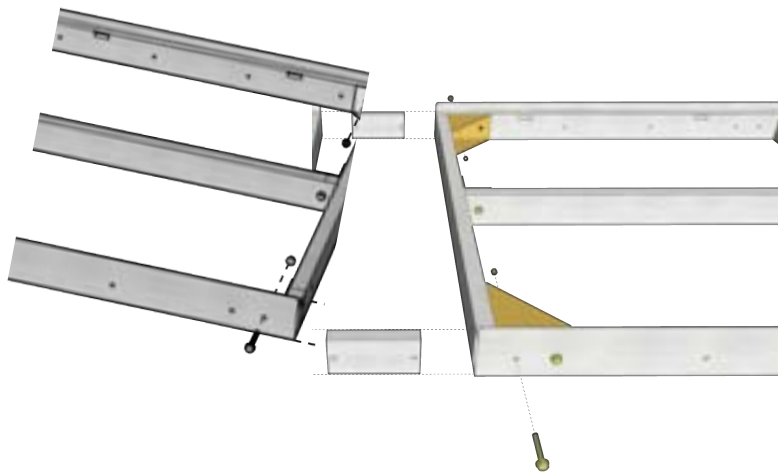
4' Frame Assembly:

Lay out the pieces as shown in the diagram. Use M10x60mm bolts/nuts, assemble frame using angles. Each angle will work in any position. If tubing is not lining simply flip angle around. Hand tighten until final step.

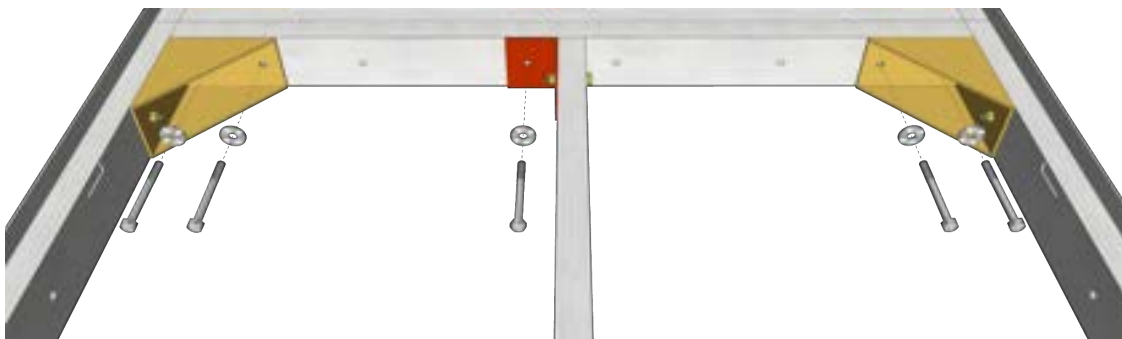
8ft Gangway frame is complete. Skip to Steps 5.
16ft Gangway requires joining frames together.



- 2 Insert (2) pairs of Low Profile Splice tubes (F) into the 4ft Frames (B) and 8ft Frame (A) by removing the hardware on the corner angles where frames will join. Replace frame bolts with insert inside.



- 3 Use (2) 4" Bolt kits to connect frames together by removing M10x60mm bolt/nuts and replacing them with 4" bolt/nuts and Fender Washers to join frames.

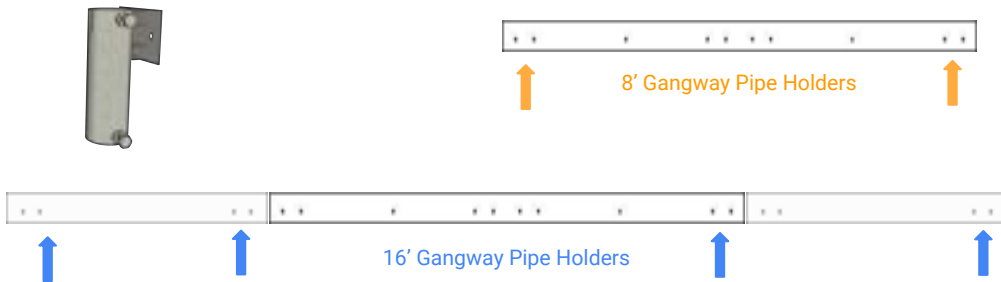


- 4 On the BOTTOM of the frames line up the Transition Plate (G) so the center of the Plate is where the 8' and 4' Frames meet. Use the included Self Tapping Screws to secure Transition Plate to Frames. Optional for extra strength.

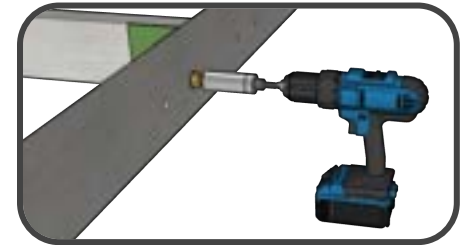
Gangway

Assembly Steps

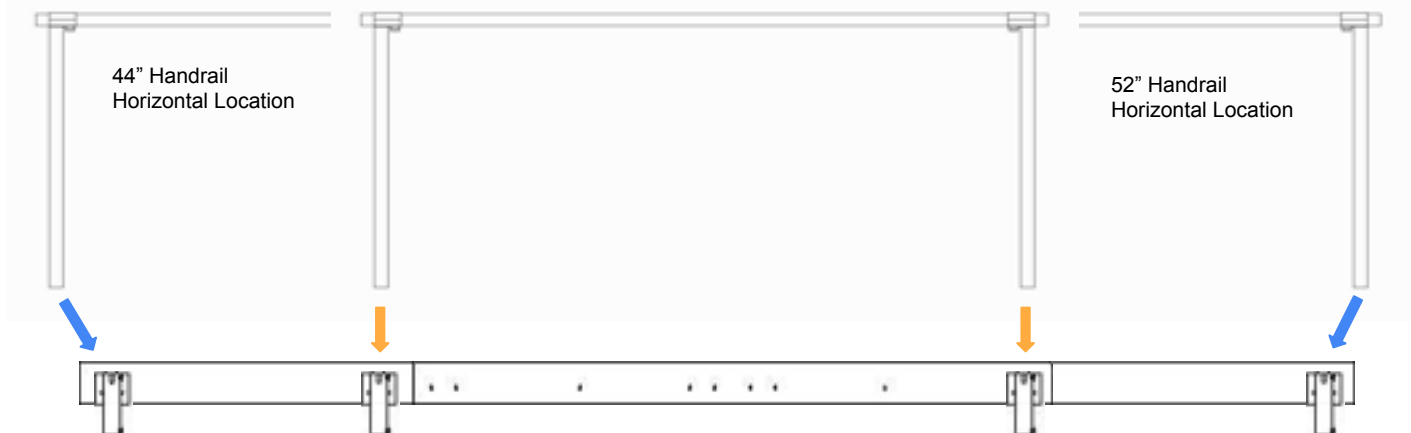
- 5 Add Low Profile Stationary Pipe Holders (E) to the Side Tubes of the 4' and 8' frames (J&R) using the M10x60mm nuts and bolts. There will be (2) Pipe Holders on each side of the 8' Gangway, and (4) on each side of the 16' Gangway. See diagram below for correct 16' Gangway placement.



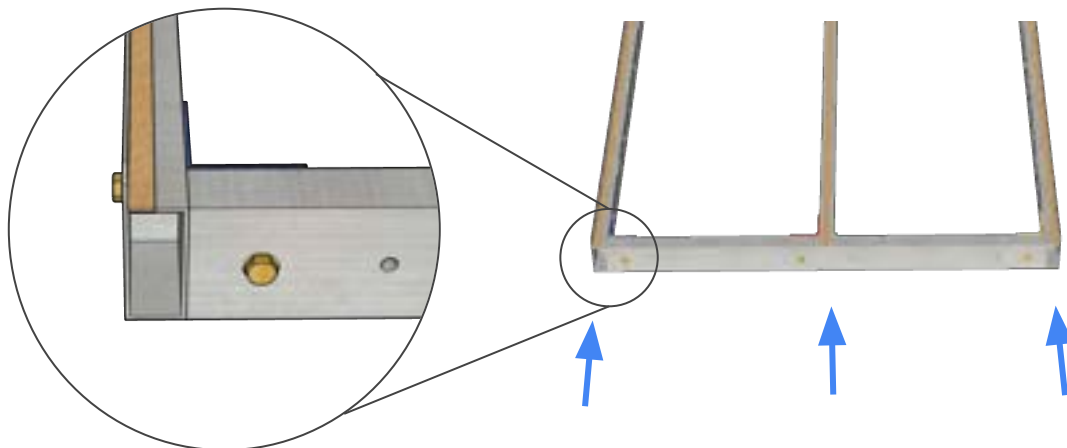
- 6 Tighten all bolts.



- 7 Starting in the center of your Gangway, slip the Handrail Uprights (Da) into the Low Profile Stationary Pipe Holders (E). Slide your Horizontal Handrail Pipe through the Handrail Upright bracket that is welded to the top (leave all pinch bolts loose until all handrail verticals and horizontals are installed). Use 96" Horizontal Handrail Pipe (Dc) to span across the 8' Side Tube, you should not see this pipe protrude past the center Handrail Uprights. Install remaining Handrail Uprights in Low Profile Stationary Pipe Holders. Use the remaining 52" and 44" Horizontal Handrail Pipes (Dc) to span the remaining gap between Handrail Uprights. The Horizontal Handrails will butt up inside the bracket of the center Handrail Uprights. Once all Handrail upright and horizontals are installed tighten all pinch bolts on both Handrail Upright and Low Profile Stationary Pipe Holders.



- 8 For Gangways with aluminum decking, adhere the Cork (H) to the Side Tubes (L) and Stringer Tubes (O) of the frame. Remove the sticker back, and stick the Cork to the surface, removing more sticker back as you unroll the material. Cut to length with scissors or a utility knife. Docks with cedar and poly decking do not require Cork.

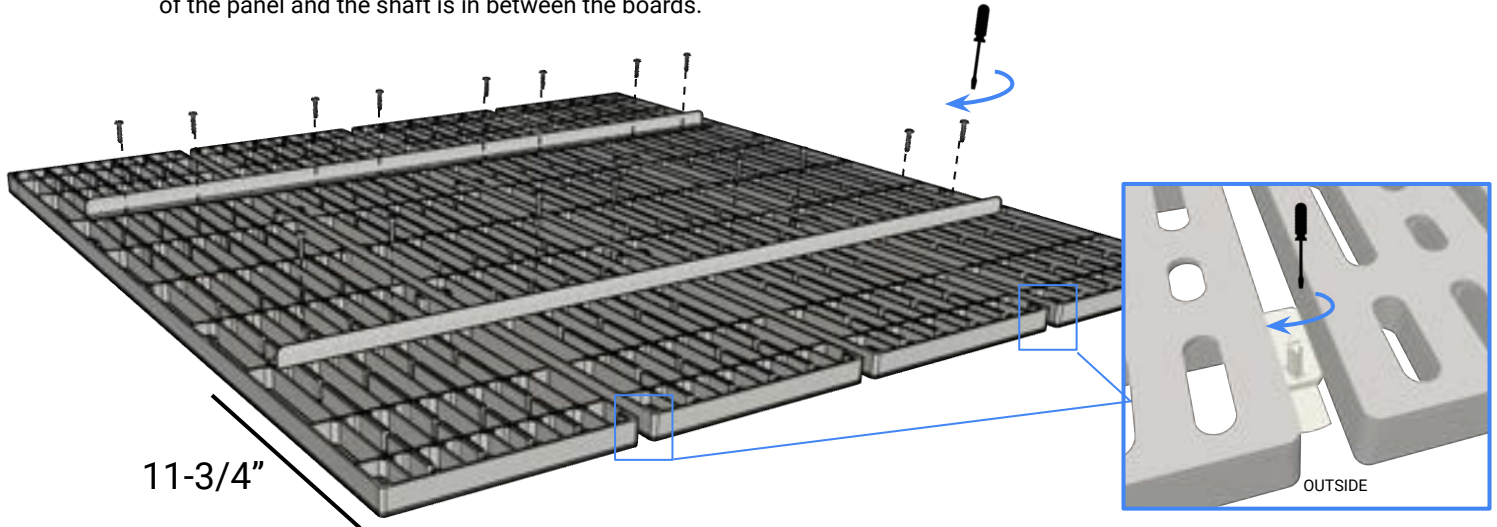


Gangway

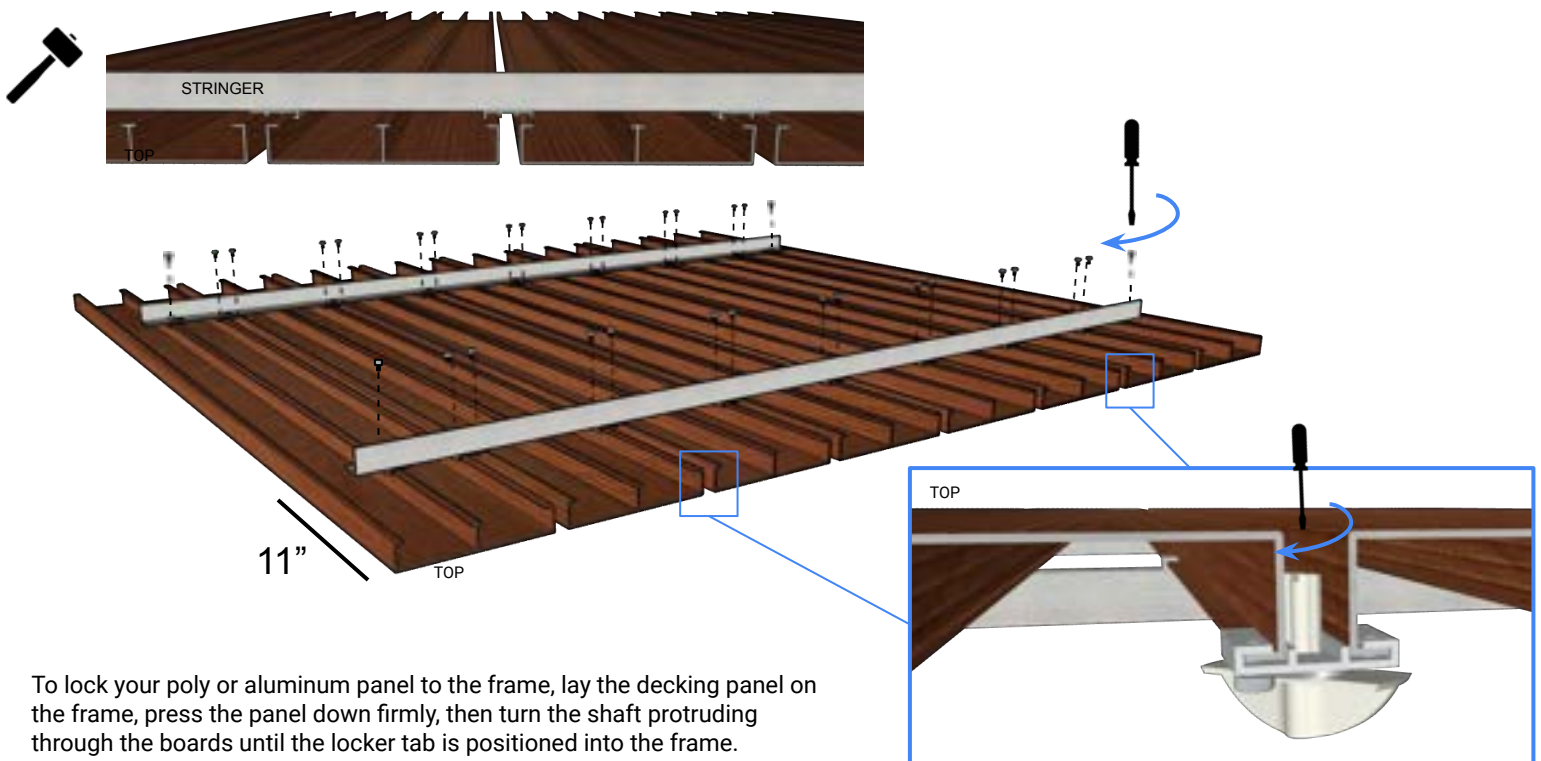
Assembly Steps

9 Assemble each 4x4 Decking Panel (B).

- **Cedar Panels** are pre-assembled. At this point, panels can be sealed with deck sealer for longest life.
- **Poly Panels** are assembled by screwing the stringer to the back of (4) boards. The stringer is screwed to the panels 11- $\frac{3}{4}$ " from the outside edge of the panels using (8) screws. Poly Deck Lockers (l) can then be mounted to the board gaps near each of the 4 corners of the 4x4 panel. Use (2) screws provided in the deck locker package to screw the locker so the tab is facing the outside of the panel and the shaft is in between the boards.

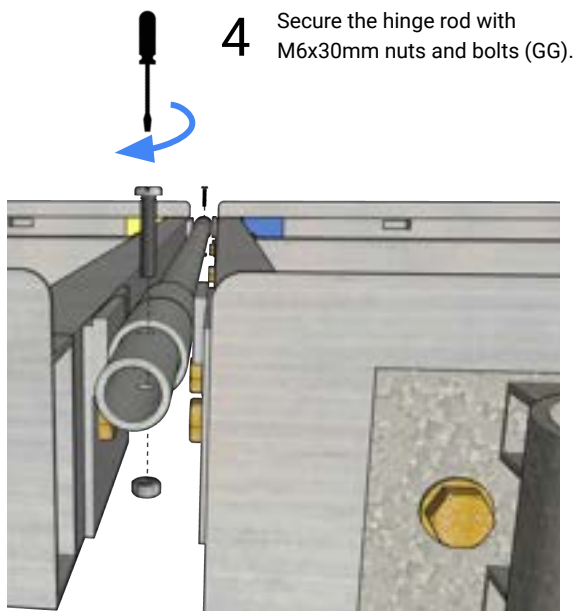
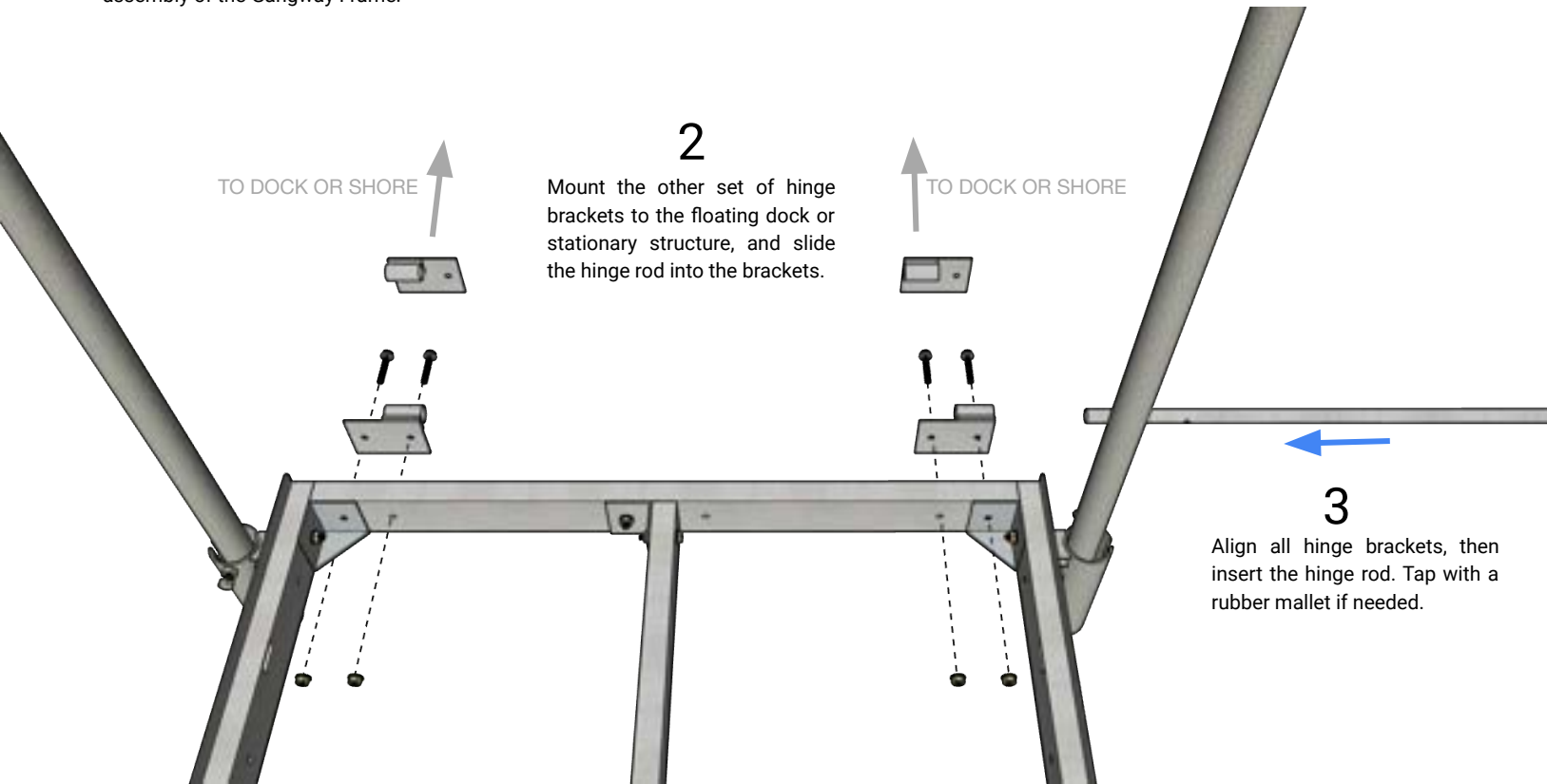


- **Aluminum Panels** are assembled by screwing the stringer to the back of (8) boards. The stringer slides on the boards so that the stringer clips accept the bottom tongue of each board tightly. A rubber mallet may help to tap the stringer into place so that it is positioned about 11" from the outside edge of the panel. Once in position, the (16) set bolts in the stringer tighten down onto the panel. Do not overtighten or strip the bolt heads by tightening quickly. This is best done with a screwdriver by hand. Aluminum Deck Lockers (l) can then be mounted to the board gaps near each of the 4 corners of the 4x4 panel. Tap the locker onto the panel and slide it 1-1/2" from the edge of the board. Use (1) screw provided in the deck locker package to screw the locker so the tab is facing the outside of the panel and the shaft is in between the boards.



To lock your poly or aluminum panel to the frame, lay the decking panel on the frame, press the panel down firmly, then turn the shaft protruding through the boards until the locker tab is positioned into the frame.

- 1 Gangways can be installed by hinging it to either the shoreline fixture (seawall, platform, etc), or by hinging it to the floating dock itself. (1) Hinge kit is included with the Gangway Kit. Mount the hinge kit to one side of the Gangway by securing Hinge brackets with M10x60mm bolts and nuts, used in the assembly of the Gangway Frame.



- 5 Add decking panels to your installed frame. For poly and aluminum decking, turn lockers into the slot in to the frame to secure them flatly to the frame. Your Gangway is now installed and ready for use!

Notes:

- Extra hinge kits can be purchased to allow for hinging on both sides of the Gangway
- The attachment and angle of the Gangway have a bearing on the float capacity of the shore side of the floating dock. More floats may help to compensate for steep gangways and gangways directly hinged to docks.
- If the gangway hinges to the shoreline, the gangway can rest on top of the well-anchored floating dock. This redistributes weight of the gangway and may require aftermarket parts in some applications.