

Aluminum Stairs

Assembly Instructions

PN10922, 10923, 10924, 10925, 10926

RECOMMENDED TOOLS



Wrenches or sockets:
10mm (3/8")
16mm (5/8")
19mm (3/4")



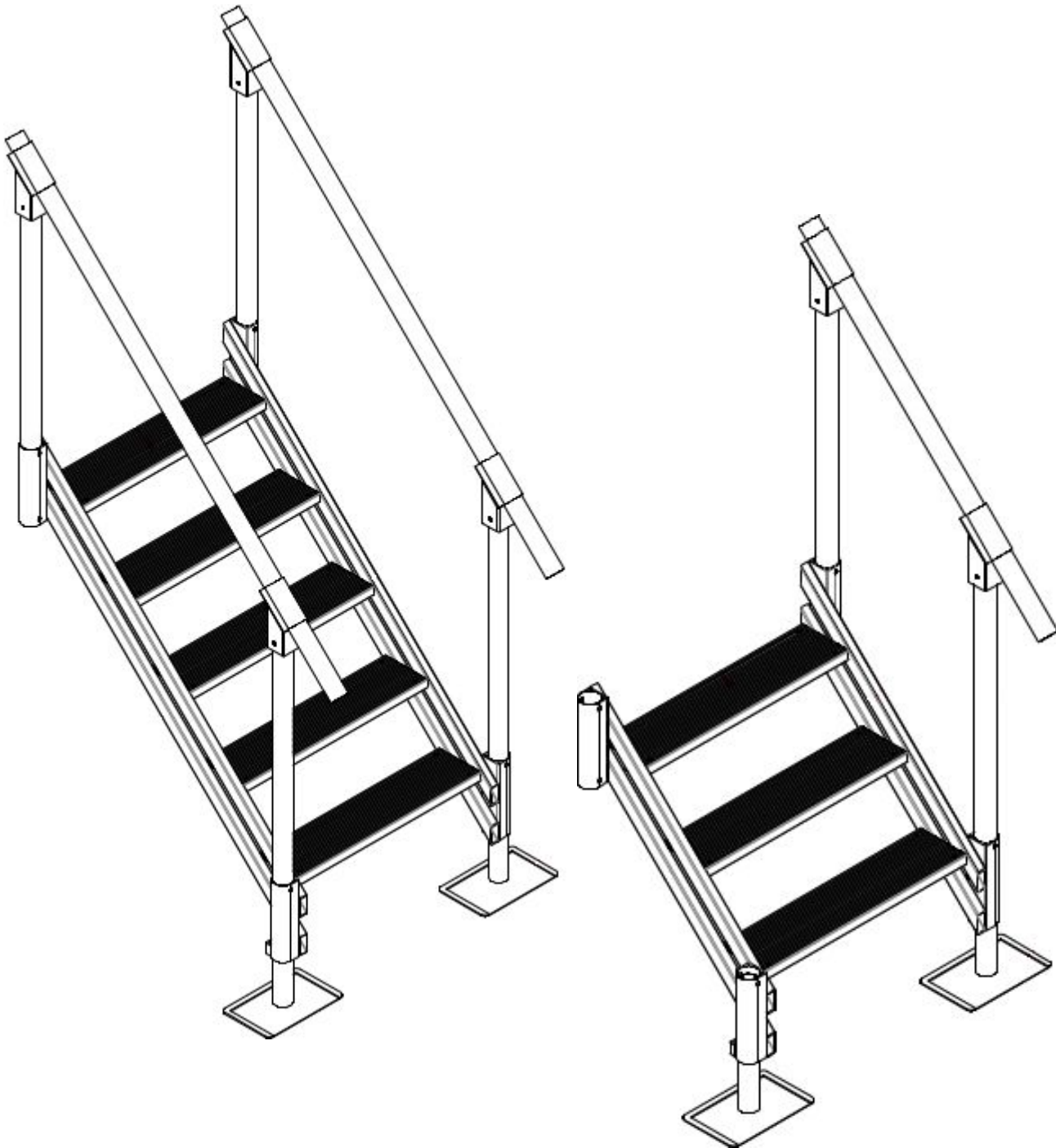
Cordless Drill
7/16" Drill Bit



Screwdriver
(Phillips)



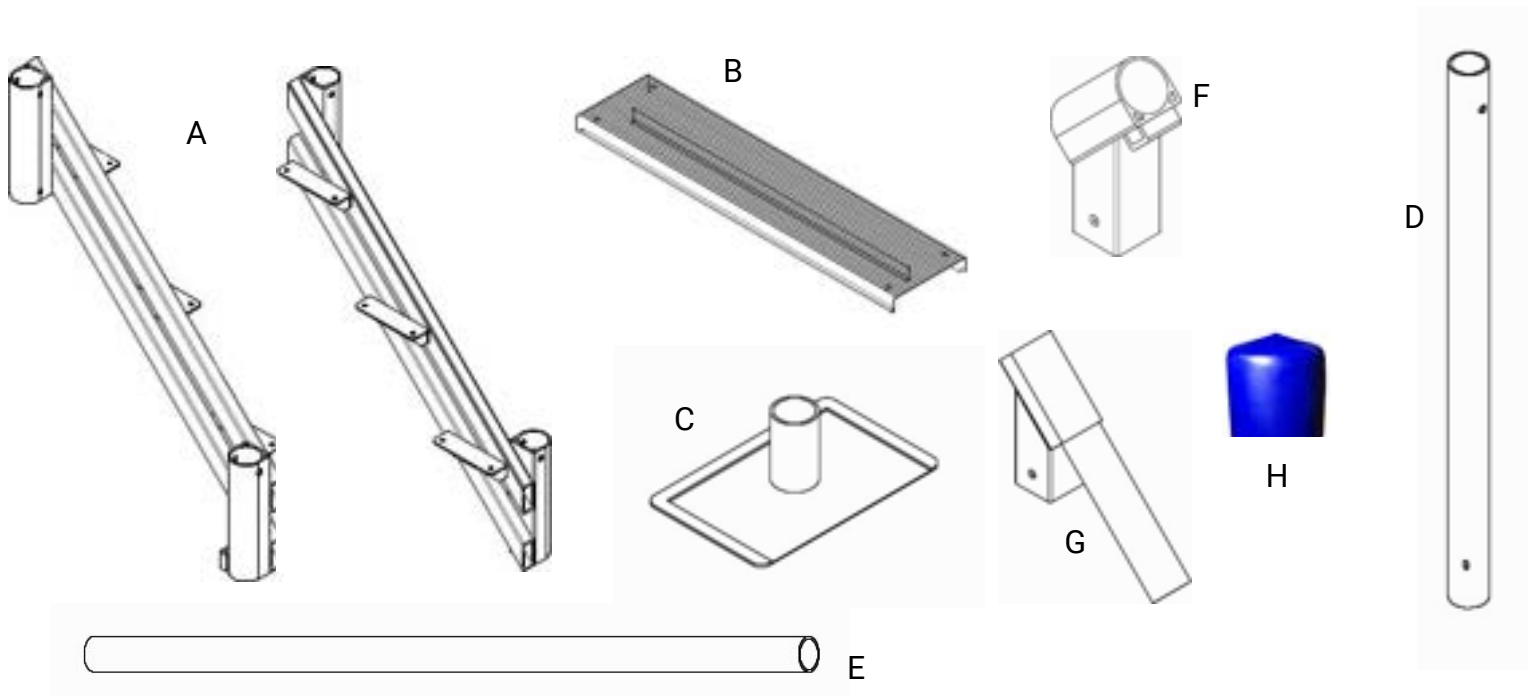
Work Gloves



Aluminum Stairs

Components

PART	DESCRIPTION	QTY (Depends on model)
A	Stair Stringer (Left and Right)	2
B	Steps	2-6
C	Drop Leg and Base	2
D	Handrail Vertical	2 or 4
E	Handrail	1 or 2
F	Upper Handrail Bracket	1 or 2
G	Lower Handrail Bracket (with Welded pipe)	1 or 2
H	Patriot Post Caps	2 or 4



2-Step Stairs (PN10922) and 3-Step Stairs (10923) only come with (1) Handrail Assembly.
 4- Step Stairs (PN10924), 5-Step Stairs (10925), and 6-Step Stairs (10926) will come with (2) Handrail Assemblies.

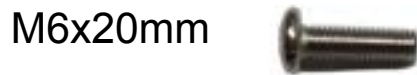
Aluminum Stairs

Assembly Steps

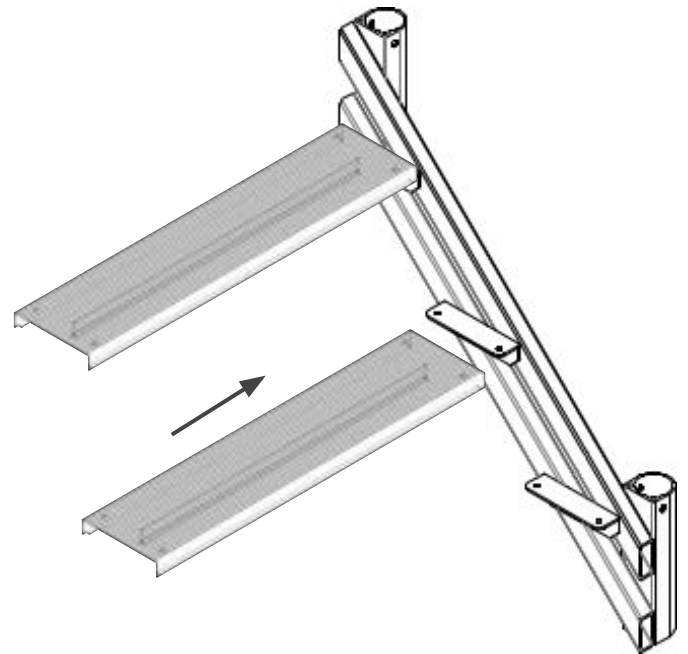
Hardware:

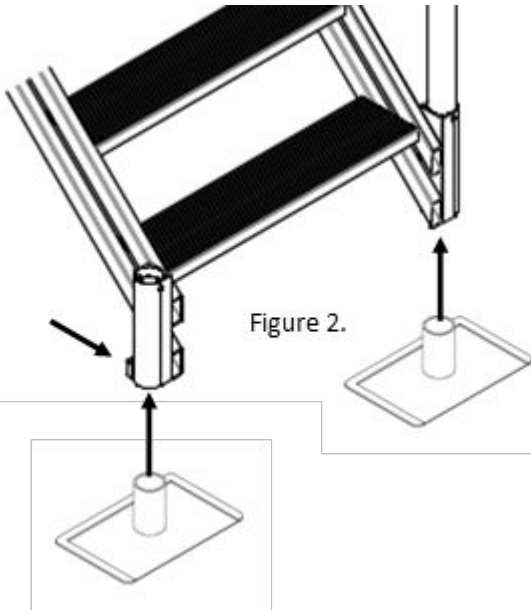
Size	Purpose	Qty.
M6x20mm	Step Hardware	10-26
M10x80mm	Vertical Handrail Attachment Hardware	4
M10x70mm	Attaching Upper & Lower Handrail Brackets	2-4

*Quantities will vary depending on the model you purchased.



- 1 Start with one Stair Stringer (A) Left or Right. Orientate Stair Stringer so the welded angles are facing down. See image to the right for a reference. Install Steps (B) to each welded bracket. Use M6x20mm Step Hardware. Loosely attach each step. Once each step is attached, connect the other Stair Stringer (A) using the same hardware. Tighten all M6 bolts when complete.

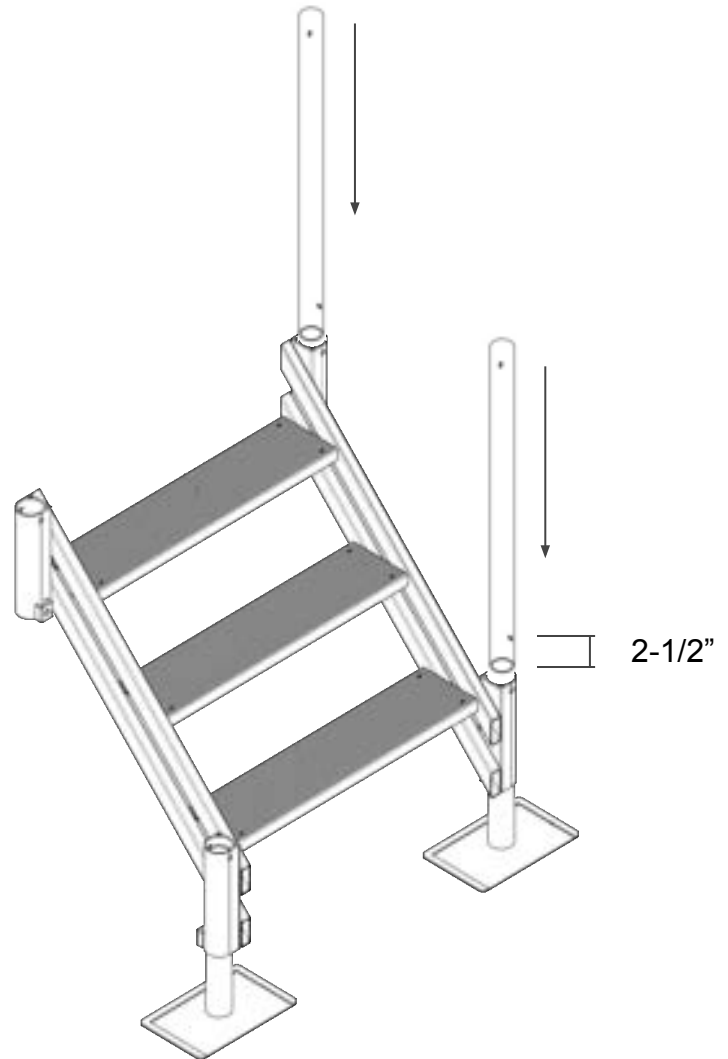




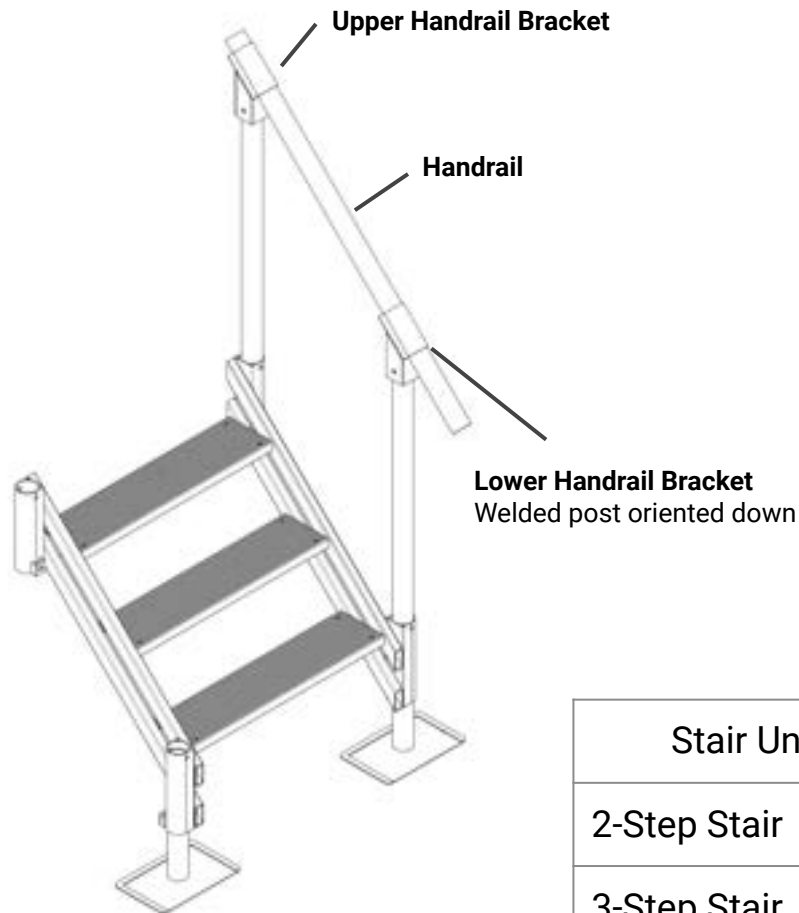
- 2 Insert Drop Leg and Base (C) into the bottom of each Stair Stringer (A). Find your desired height and tighten the pinch bolt on the Stair Stringer Bracket. See image to the left for a reference.

- 3 Attach Handrail Vertical (D) to the assembled stairs. Each Handrail Vertical will have two holes drilled in it. Orientate Handrail Vertical (D) so the hole that is 2.5" from the edge is inserted into the Stair Stringer (A) bracket. See image to the right for reference. Mount Handrail Verticals (D) to Stair Stringers (A) using M10x80mm Button Head bolts, lock washer, washer, and nut to secure Handrail Vertical. Attach all Verticals. (Depending on the model it will either have a single handrail or double. Single handrails can be mounted on either side)

Note: The M10x80mm bolts will be used to mount the stairs to a Patriot Dock frame or a competitors frame.



- 4 With all Handrail Verticals in place, next we will attach the Upper Handrail Bracket (F) and the Lower Handrail Bracket (G). Attach the Upper Handrail Bracket (F) to the Upper Handrail Vertical (top of stairs). Use M10x70mm Button Head bolts, lock washer, washer, and nut to secure Upper Handrail Bracket (F). Orientate Handrail Bracket as shown in the image to the left. Next, attach Lower Handrail Bracket (G) to the Lower Handrail Vertical (bottom of stairs). Be sure to orientate the bracket so the welded pipe is facing down. Attach using M10x70 Button Head bolt, washer, lock washer, and nut. Finally, slide the Handrail (E) into the Upper Handrail Bracket down to the Lower Handrail Bracket. Tighten pinch bolts on both brackets and install Patriot Post Caps (H) to the ends of the handrail.



Stair Unit	Height Range
2-Step Stair	22"-27"
3-Step Stair	29"-34"
4-Step Stair	36"-41"
5-Step Stair	43"-48"
6-Step Stair	50"-55"

*Height Range is determined from the Top of the decking surface to the Bottom of the lake bed.

Aluminum Stairs

Mounting Instructions

Determine desired Stair mounting location. Ensure the water depth is appropriate for the number of steps, and that the steps will be level.

Mounting Stairs to Patriot Frame

Patriot Stair mounting hole spacing can range from 28 1/8"-28 1/4". Mounting holes will share the same M10x80mm bolt used to secure the upper Handrail Verticals (D) to the Stair Stringer (A). When mounting Patriot Stairs to the Patriot Dock Frame some drilling will be required. Generally, align the top mounting hole on the Stair Stringer (A) bracket with one of the TOP 3/8" mounting holes in the Patriot Frame. Secure using the shared M10x80mm bolt used to secure Handrail Verticals (D). The mounting hole on the opposite side will then need to be drilled into the Patriot Frame using a 7/16" drill bit, ensure stairs are level before marking and drilling hole location.



Mounting Stairs to Another Frame

Align Stairs in desired location so that the top of Stair Stringer mounting bracket is roughly 1-1/4" lower than the deck surface, ensuring stairs are level before marking and drilling hole location. Use Lag Screw or drill out 7/16" mounting holes and secure using shared M10x80mm bolt/nuts or similar.