

SB-LSCRC500

SB Fitness Equipment

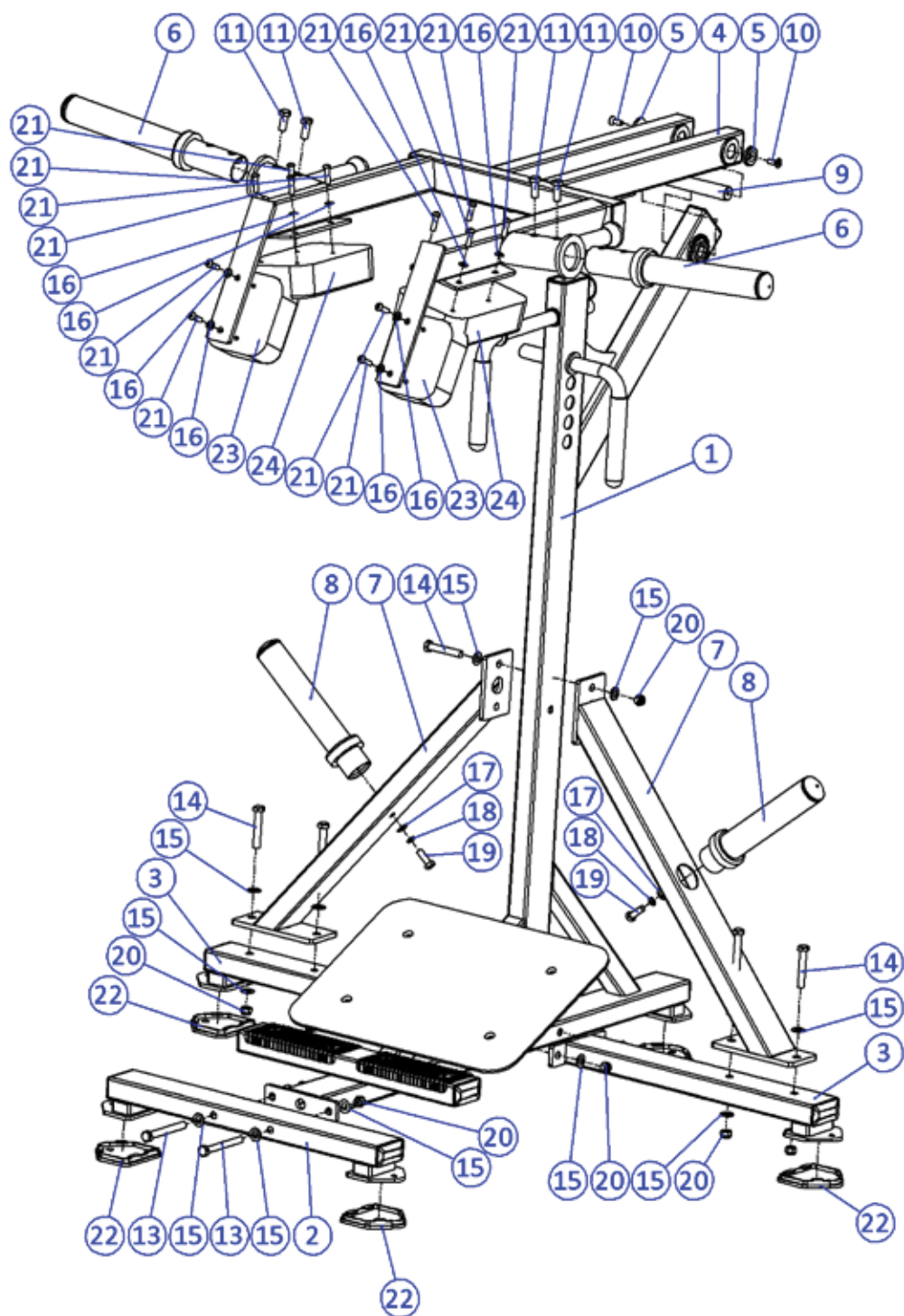
LEVERAGE SQUAT/CALF RAISE COMBO MACHINE



SB

Owners Manual
and Assembly Guide

PARTS DIAGRAM EXPLODED VIEW

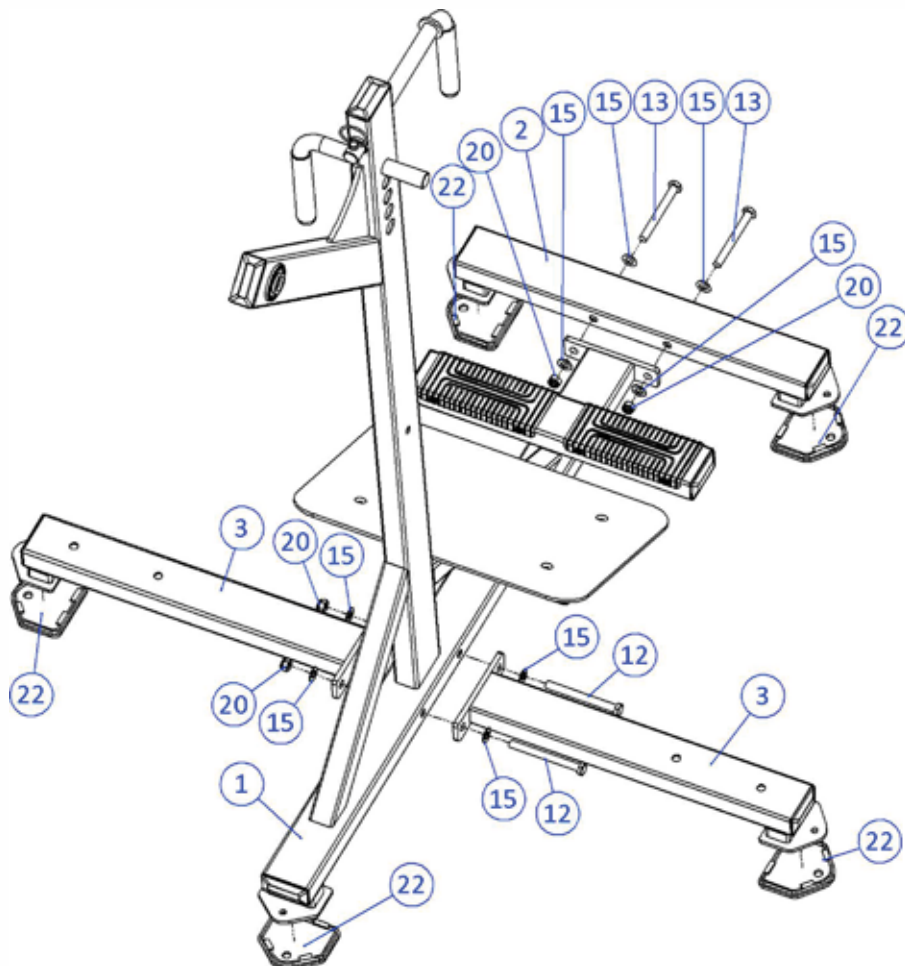


PARTS LIST AND PART NUMBERS

SERIAL NUMBER	PART NUMBER	SPAR PART NAME	STANDARD SIZES	AMOUNT (PIECE)
1	100	MAIN FRAME COMBINATION	-----	1
2	200	FRONT SUPPORT PIPE ASSEMBLY	-----	1
3	300	SIDE FRAME COMBINATION	-----	2
4	400	MOVABLE ARM COMBINATION	-----	1
5	W5009	ALUMINUM FLAT HEAD COVER	D35 D9	2
6	GN6013	TWO-HOLE BELL TUBE (380)	-----	2
7	900	SIDE SUPPORT PIPE COMBINATION	-----	2
8	G6006	BELL TUBE	L280	2
9	800	SHAFT (ASSEMBLY FITTINGS)	Φ25*160	1
10	S5102-03	HEXAGON SOCKET COUNTERSUNK HEAD SCREW	M8*16	2
11	S5108-04	OUTER HEXAGON SCREW	M12*30	4
12	S5108-09	OUTER HEXAGON SCREW	M12*120	2
13	S5108-02	OUTER HEXAGON SCREW	M12*110	2
14	S5108-10	OUTER HEXAGON SCREW	M12*70	5
15	S5301	FLAT GASKET	T1.5*D13*D24	18
16	S5304	FLAT GASKET	T1*D8*D16	12
17	S5303	FLAT GASKET	"T1.5*D10.5*D20"	2
18	S5703	SPRING WASHER	"D10.3*D14.8*T2"	2
19	S5107-17	OUTER HEXAGON SCREW	M10*30	2
20	S5203	LOCKNUT	M12	9
21	S5110-04	HEXAGON SOCKET HEAD SCREW	M8*30	12
22	WN6018	TRIANGLE FOOT PAD	-----	5
23	YW-N1666	STANDING CALF TRAINER CUSHION	----	2
24	YW-N1666	SHOULDER PAD OF STANDING CALF TRAINER	-----	2

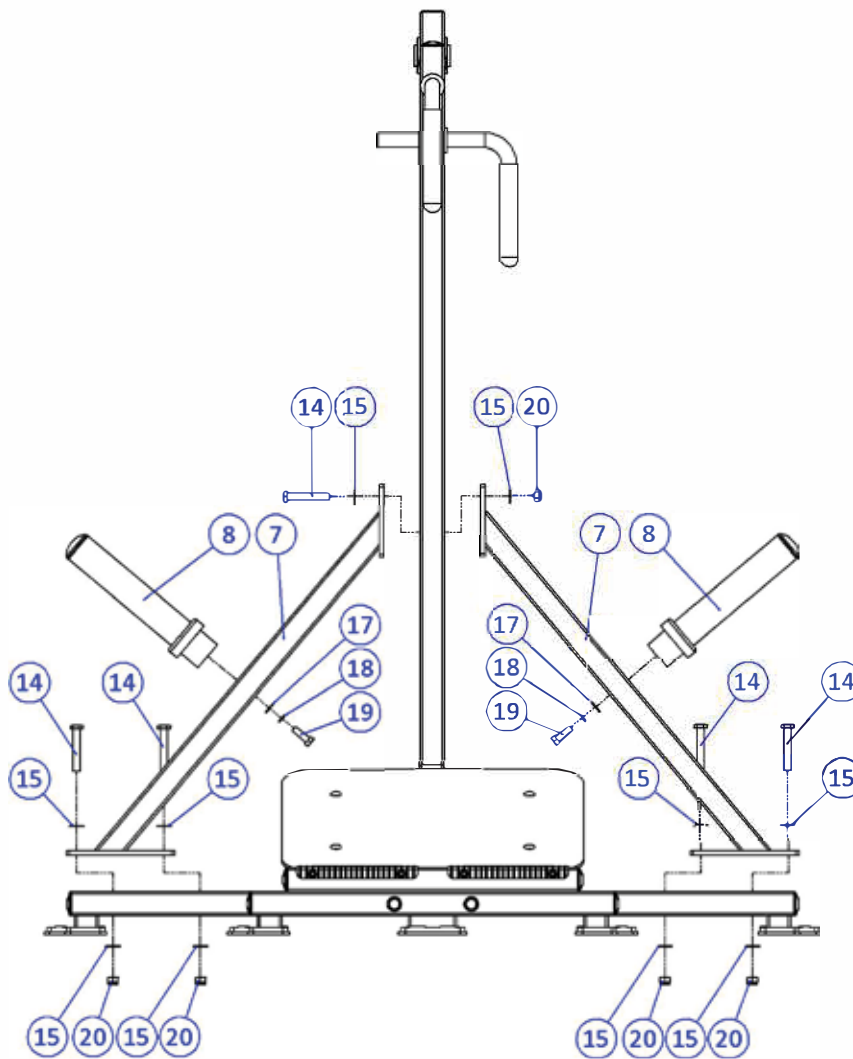
INSTALLATION DETAILS

STEP 1: INSTALL THE FOOT PAD CROSS BRACE(2) TO THE MAIN FRAME ASSEMBLY(1). INSTALL THE TWO SIDE SUPPORT LEGS(3) TO THE MAIN FRAME ASSEMBLY(1). INSTALL THE RUBBER FEET(22) AT THIS TIME. (OPTIONAL)



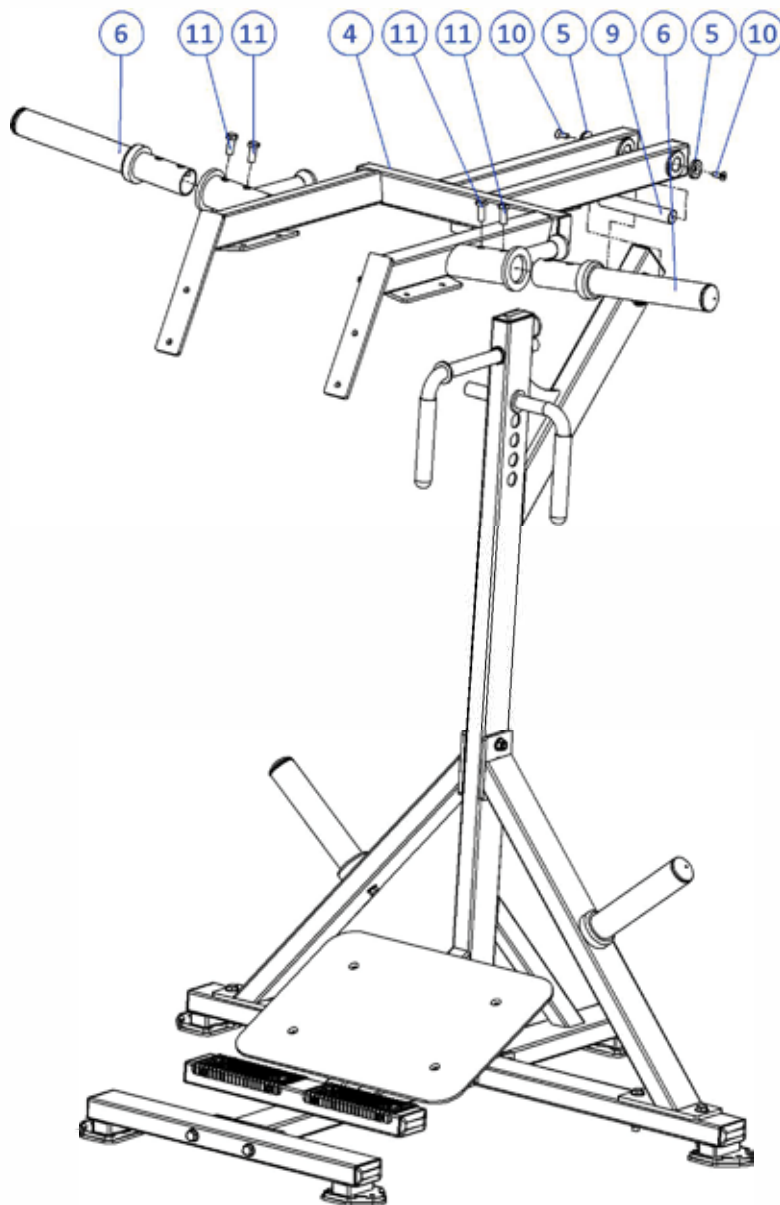
INSTALLATION DETAILS

STEP 2: INSTALL THE LEFT AND RIGHT SUPPORT BARS(7) TO THE MAIN FRAME ASSEMBLY(1) AND SIDE SUPPORT LEGS(3). ATTACH THE TWO OLYMPIC PLATE STORAGE RODS(8) TO EACH OF THE SUPPORT BARS(7).



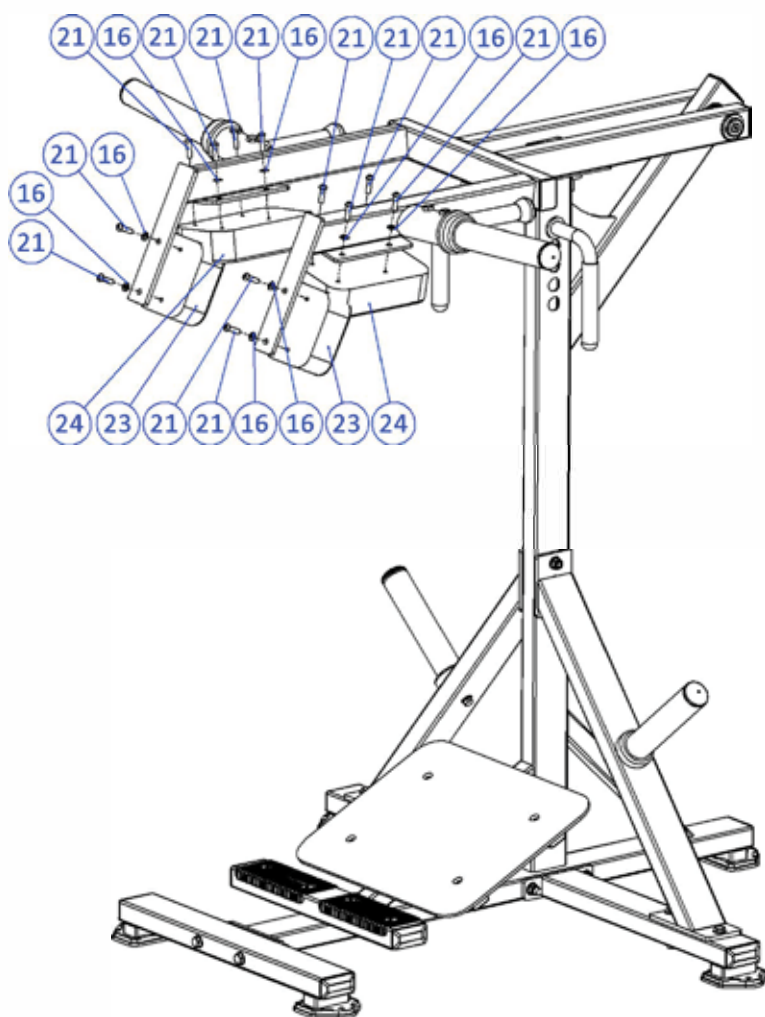
INSTALLATION DETAILS

STEP 3: INSTALL THE SHOULDER HARNESS ASSEMBLY(4), TO THE MAIN FRAME ASSEMBLY UPRIGHT(1) USING THE #9 SHAFT, #5 BUSHING, AND THE #10 BOLT. INSTALL THE TWO OLYMPIC PLATE RECEIVING RODS(6) TO THE SHOULDER HARNESS ASSEMBLY(4).



INSTALLATION DETAILS

STEP 4: INSTALL THE BACK CUSHION(23) X2 AND SHOULDER PAD(24) X2.



PRODUCT OVERVIEW PICTURES



SB FITNESS EQUIPMENT / SB-LSCRC500

PRODUCT NAME: LEVERAGE SQUAT/CALF RAISE COMBO MACHINE

WEIGHT STACK: PLATE LOADED

PRODUCT FEATURES: MULTI — FUNCTIONAL SQUAT AND CALF RAISE COMBO.

EXTRA THICK AND ABSORBING SHOULDER BACK PADS FOR COMFORT.

PRODUCT DIMENSIONS: 51"H X 50"L X 45"W

MUSCLES WORKED: QUADRICEPS, GLUTES, HAMSTRINGS, AND CALVES.

FOR YOUR SAFETY

- ◆ 1. CONSULT YOUR PHYSICIAN OR HEALTH CARE PROVIDER BEFORE USING YOUR MACHINE AND/OR EXERCISE EQUIPMENT.
- ◆ 2. IF YOU HAVE A PHYSICAL DISABILITY OR AN ATHLETIC DISABILITY, IT IS REQUIRED THAT YOU CONSULT YOUR PHYSICIAN OR HEALTH CARE PROVIDER BEFORE PROCEEDING WITH ANY EXERCISE PROGRAM.
- ◆ 3. BEFORE USING THIS PRODUCT, PLEASE READ THIS MANUAL CAREFULLY. SB FITNESS EQUIPMENT IS NOT RESPONSIBLE FOR ANY PERSONAL INJURY OR DAMAGE CAUSED BY USING THIS PRODUCT UNDER ANY CIRCUMSTANCES OR NEGLIGENCE CAUSED BY THE USER.

ASSEMBLY INSTRUCTIONS AND PROCEDURES

- ◆ 1. THE PURPOSE OF THIS SECTION OF THE USER MANUAL IS TO ENSURE THAT THE MACHINE CAN BE INSTALLED EASILY AND CORRECTLY. PLEASE FOLLOW INSTRUCTIONS CAREFULLY AND ENTIRELY.
- ◆ 2. BECAUSE OF ITS LARGE SIZE AND WEIGHT MACHINE SHOULD BE ASSEMBLED NEAR THE LOCATION WHERE IT WILL BE USED.
- ◆ 3. PLACE ALL PARTS OF THE MACHINE IN THE ASSEMBLY AREA AND REMOVE ALL PACKING MATERIAL. DO NOT DISCARD THE PACKAGING MATERIAL UNTIL THE ASSEMBLY IS COMPLETE.
- ◆ 4. ALL BOLTS MUST BE TIGHTENED DURING ASSEMBLY UNLESS OTHERWISE SPECIFIED, AND ALL BOLTS MUST BE TIGHTENED AFTER ASSEMBLY, IN ORDER FOR ASSEMBLY TO BE COMPLETE.
- ◆ 5. WHEN ASSEMBLING THE SB-LPRC200S, MAKE SURE THAT ALL PARTS ARE ASSEMBLED ACCORDING TO THE ASSEMBLY DIAGRAM.

WARRANTY INFORMATION

◆ WHAT IS COVERED SB

SB FITNESS WARRANTS TO THE ORIGINAL PURCHASER OF THIS MACHINE THAT THE FRAME OF THE PRODUCT SHALL BE FREE FROM DEFECT IN MATERIALS AND WORKMANSHIP AND UNDER WARRANTY FOR A PERIOD OF TWO YEARS FROM THE DATE OF PURCHASE. ALL OTHER PARTS AND COMPONENTS OF THE PRODUCT SHALL BE FREE FROM DEFECT IN MATERIAL AND WORKMANSHIP AND UNDER WARRANTY FOR A PERIOD OF ONE YEAR FROM THE DATE OF PURCHASE WHEN THE PRODUCT IS USED UNDER AS RECOMMENDED BY SB FITNESS UNDER NORMAL USES AND CONDITIONS. DURING THE WARRANTY PERIOD SB FITNESS WILL AT NO ADDITIONAL CHARGE TO YOU, REPAIR OR REPLACE (AT SB FITNESS' OPTION) THE FRAME OR ANY PART OF THE PRODUCT IF IT BECOMES DEFECTIVE, MALFUNCTIONS, OR OTHERWISE FAILS TO CONFORM WITH THIS LIMITED WARRANTY. ALL LABOR SHALL BE THE RESPONSIBILITY OF THE OWNER.

WARRANTY INFORMATION

◆ WHAT IS NOT COVERED

THIS LIMITED WARRANTY APPLIES ONLY FOR PRODUCT SOLD IN THE UNITED STATES UNDER THE SB FITNESS BRAND NAME. THIS WARRANTY DOES NOT COVER NORMAL WEAR AND TEAR ON ITEMS SUCH AS, BUT NOT LIMITED TO, TRANSPORTATION WHEELS, FOOT PEDALS, RUBBER GRIPS. PLASTIC END CAPS. SCRATCHED PARTS, BROKEN COVERS, COSMETIC DAMAGE, AND EXCLUDES PAINT & FINISH. WEAR ITEMS PERTAIN TO COMPONENTS THAT MIGHT NEED TO BE REPLACED DUE TO WEAR AND TEAR RESULTING FROM NORMAL USAGE. THIS WARRANTY IS VOID IF THE PRODUCT IS IMPROPERLY STORED, ASSEMBLED. ALTERED AND/OR MODIFIED IN ANY WAY. MISUSED. ABUSED, IS SUBJECT TO ACCIDENT, IS IMPROPERLY MAINTAINED, AND THIS WARRANTY DOES NOT COVER REPAIR FOR ANY NOISES SUCH AS: SQUEAKS. CLUNKS, THUMPS RESULTING FROM POOR OR LACK OF PREVENTIVE MAINTENANCE. THIS LIMITED WARRANTY DOES EXTENT TO ANY PRODUCT THAT IS DAMAGED OR RENDERED DEFECTIVE;(A) AS A RESULT OF ACCIDENT, MISUSE. OR ABUSE:(B) USE WITH THE PRODUCT OF ANY PART NOT MANUFACTURED OR SOLD BY SB FITNESS; (C) BY MODIFICATION OF THE PRODUCT; (D) BY NORMAL WEAR AND TEAR: (E) OPERATION USING INCORRECT POWER SUPPLIES; OR (F) AS A RESULT OF SERVICE BY ANYONE OTHER THAN SB FITNESS. OR AN AUTHORIZED SB FITNESS SERVICE PROVIDER.

ASSUMPTION OF RISK



THIS PRODUCT HAS BEEN MANUFACTURED WITH SAFETY IN MIND. WARRANTY APPLIES ONLY WHEN USED AS INSTRUCTED. FAILURE TO COMPLY WITH THE WARNINGS AND PRECAUTIONS DESCRIBED IN THIS DOCUMENT MAY CAUSE PERSONAL INJURY AND RESULT IN WARRANTY BEING VOIDED. PLEASE NOTE THAT SB FITNESS ASSUMES NO RESPONSIBILITY FOR ANY ACCIDENTS RESULTING FROM USE.

CALIFORNIA PROPOSITION



WARNING: THIS PRODUCT CAN EXPOSE YOU TO CHEMICALS INCLUDING ARSENIC, WHICH IS KNOWN TO THE STATE OF CALIFORNIA TO CAUSE CANCER. FOR MORE INFORMATION, GO TO WWW.P65WARNINGS.CA.GOV.XN--IVG