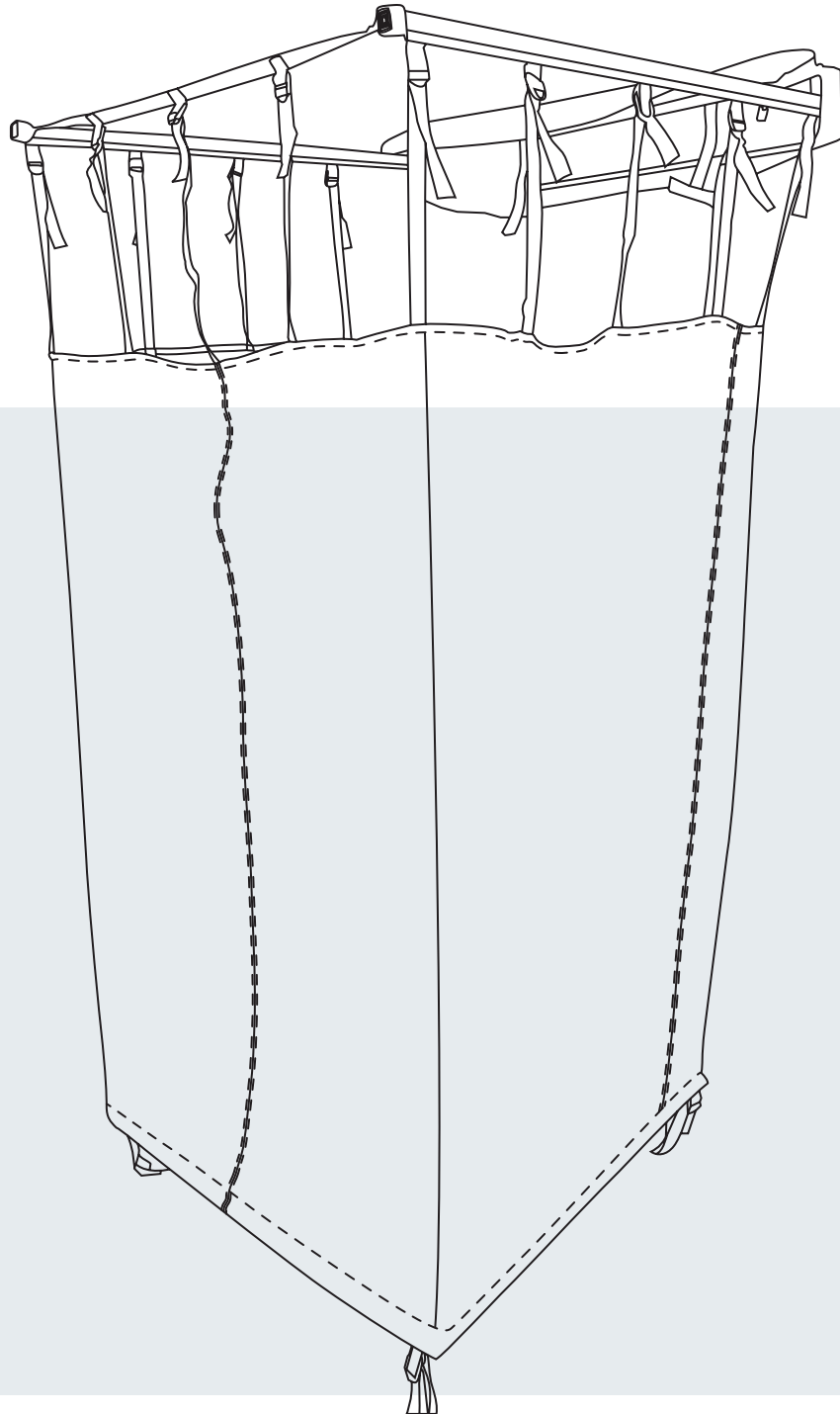


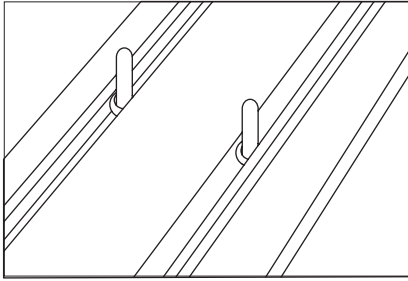


CAR SIDE SHOWER



CAR SIDE SHOWER Full Kit: 18199909

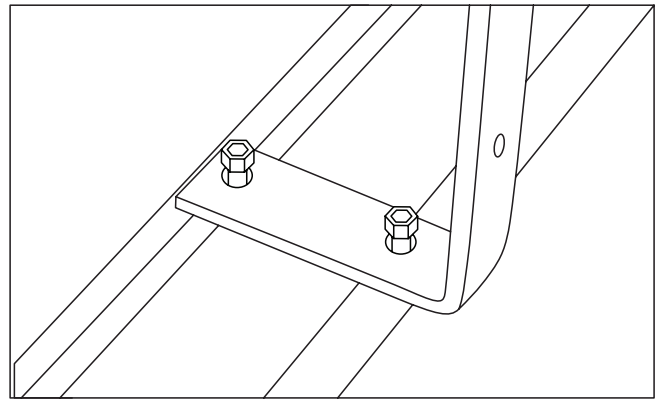
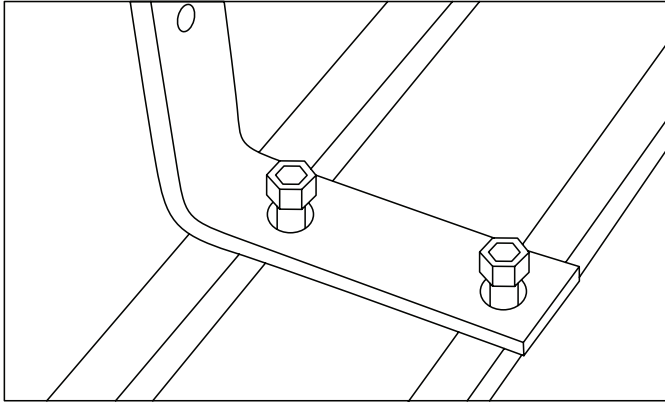
SET UP & CARE INSTRUCTIONS



IMPORTANT!

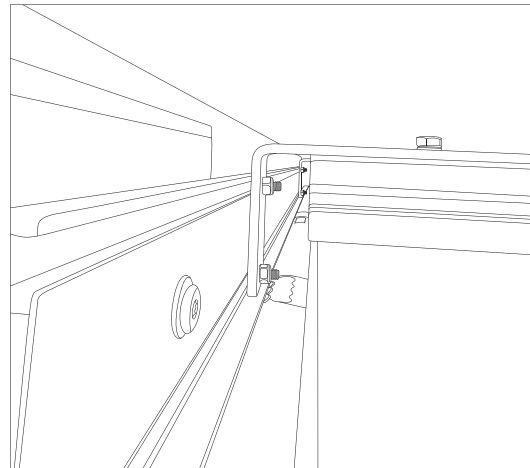
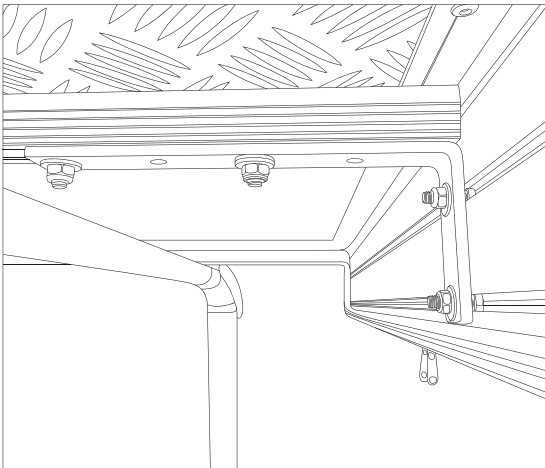
Before mounting your shower tent make sure that it clears the door openings, lift up tailgate, aerials or other obstructions on the vehicle.

NOTE: Your shower tent can be mounted directly to the side of a roof cage by simply drilling four 6.5mm holes into the side supports and attaching using the bolts and nylon nuts supplied. Alternatively, you can use the supplied 'L' brackets and mounting hardware in the various configurations shown below.



The shower tent can now be attached to a roof rack or roof bar as shown in the following diagrams.

IMPORTANT: In some cases, 6.5mm holes will need to be drilled to attach brackets.

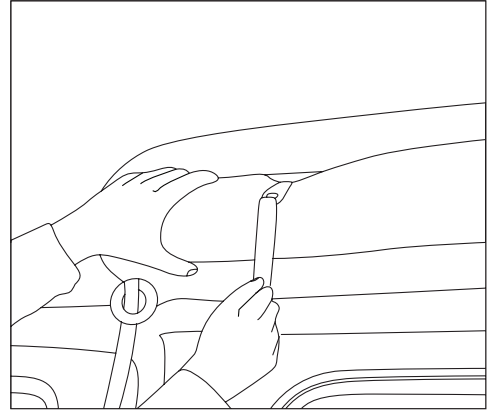


CAR SIDE SHOWER Full Kit: 18199909

SET UP & CARE INSTRUCTIONS

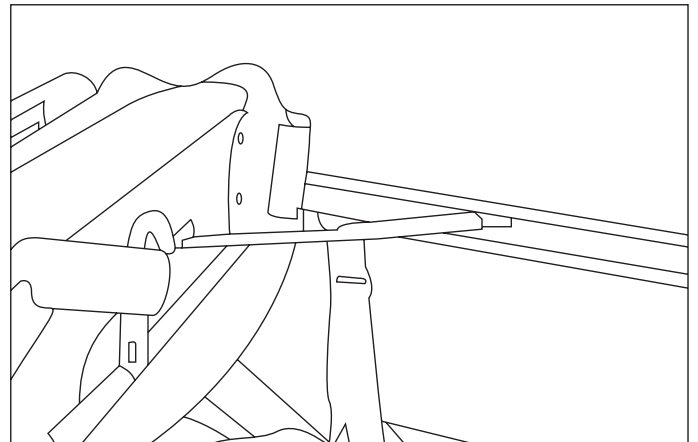
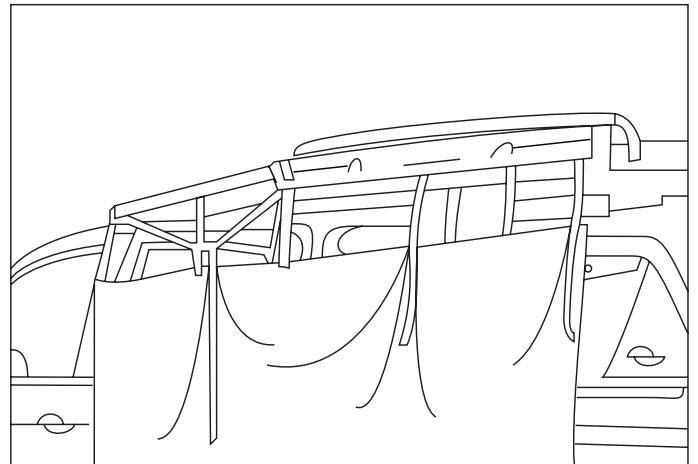
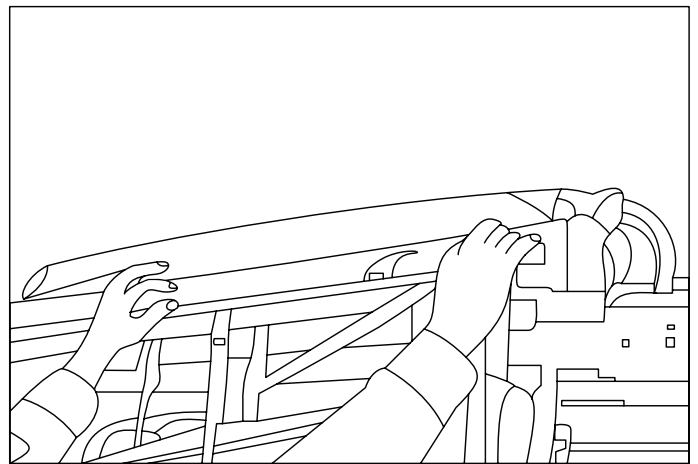
1

Unzip weather resistant cover and release the Velcro straps, allowing the fabric to be released.



2

Move the arms outwards and lock in place.

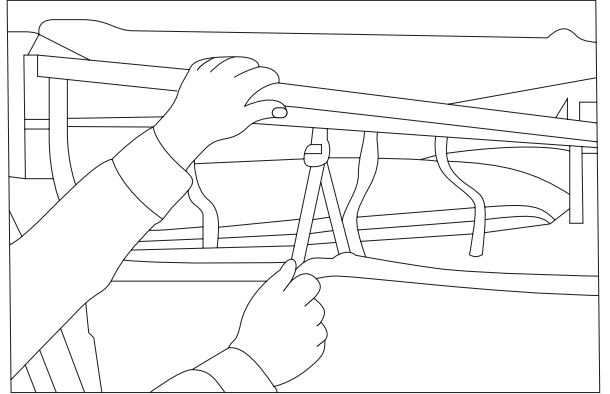


CAR SIDE SHOWER Full Kit: 18199909

SET UP & CARE INSTRUCTIONS

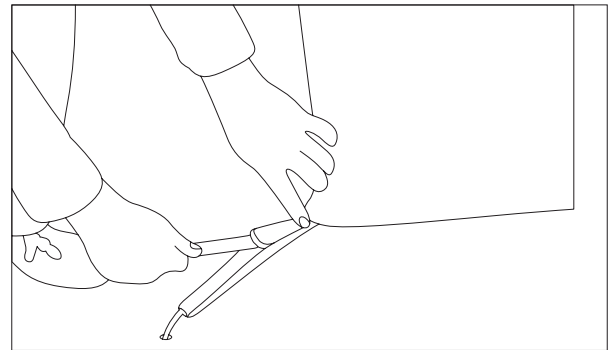
3

Unfold the fabric and allow it to hang, adjust the webbing straps at the top to achieve the required height from the ground.



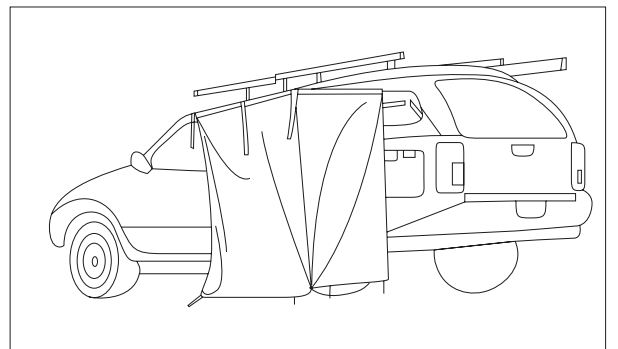
4

Peg out the four corners and tension the webbing straps as required.



5

The car side shower should be ready.



CAR SIDE SHOWER Full Kit: 18199909

SET UP & CARE INSTRUCTIONS

For pack up:

When it is time to pack up, check that fabric is dry and free from dirt and debris, then reverse the set up process.

Care and Maintenance

If your shower tent has been packed up wet or has become damp, we recommend that it be aired out to prevent mold, mildew or staining of the material.

If your shower tent requires cleaning. We recommend to use lukewarm soapy water and a clean sponge to wipe down the material. Do not use abrasive cleaners or bleach.

WARNINGS

- THE CAR SIDE SHOWER HAS BEEN DESIGNED FOR GENERAL CAMPING USE UNDER NORMAL CONDITIONS.
- TO AVOID CHANCES OF PERSONAL INJURY AND PROPERTY DAMAGE, WE HIGHLY RECOMMEND THE CAR SIDE SHOWER SHOULD NOT BE ERECTED DURING WINDY CONDITIONS.
- IN WINDY CONDITIONS IT IS HIGHLY RECOMMENDED NOT TO ERECT THE CAR SIDE SHOWER AS PERSONAL INJURY AND OR PROPERTY DAMAGE MAY OCCUR.
- DO NOT CUT OR MODIFY THE SHOWER OR MOUNTING ACCESSORIES.
- DO NOT EXCEED THE VEHICLE MANUFACTURER'S WEIGHT LIMITS.
- DO NOT USE DAMAGED OR EXCESSIVELY WORN PRODUCTS. CONTACT US IF YOU ARE UNSURE.
- KEEP ALL FLAMES AND HEAT SOURCES AWAY FROM THE FABRIC.
- UNDER NO CIRCUMSTANCES SHOULD ANY NAKED FLAME SOURCES BE USED NEAR THE SHOWER, KEEP FIRES AWAY FROM THE SHOWER.
- KEEP A LOOK OUT FOR ANY AIRBORNE BURNING EMBERS THAT MAY COME IN CONTACT WITH THE TENT. KEEP A FIRE EXTINGUISHER OR BUCKET OF WATER NEAR BY.
- DO NOT OPERATE ANY DEVICES WHICH BURN FUEL INSIDE THE SHOWER.
- KEEP EXITS CLEAR.
- REMAIN CAUTIOUS WHEN STAKES ARE IN USE.
- KEEP AN EYE OUT FOR CHILDREN WHEN SHOWER IS IN USE.
- STOW AWAY SHOWER BEFORE OPERATING VEHICLE.



DO YOU NEED OUR HELP?



CUSTOMER SUPPORT 833-226-4863



SALES@OVERLANDVEHICLESYSTEMS.COM

WANT TO SHOW US YOUR RIG?
CHECK OUT OUR SOCIAL!

@overlandvehiclesystems

