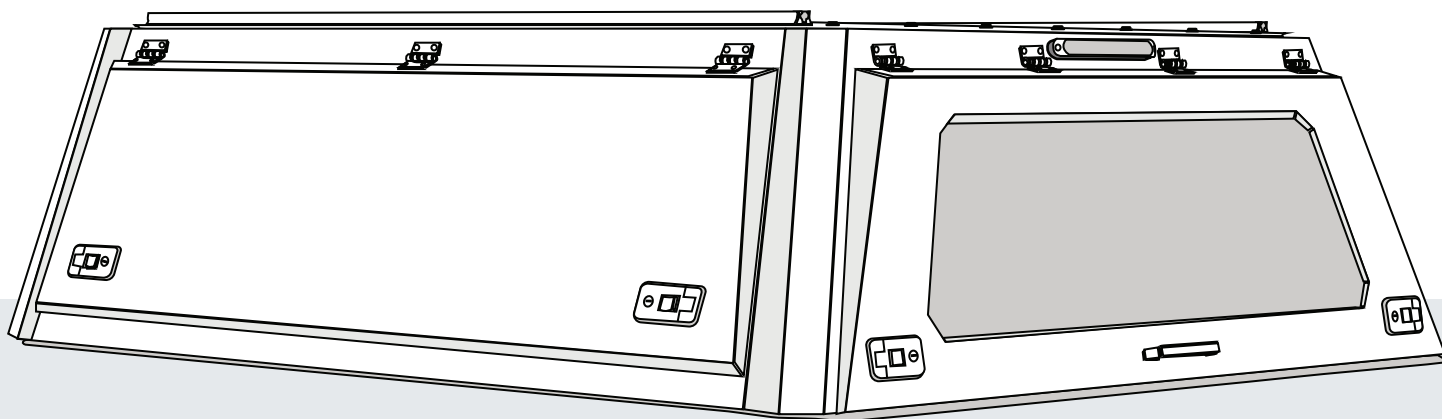




Expedition - Truck Cap w/ Full Wing Doors, Front and Rear Windows & 3rd Brake Light



**CAREFULLY READ INSTRUCTIONS
PRIOR TO THE FIRST USE OF THE
EXPEDITION TRUCK CAP**



Expedition Truck Cap

SET-UP & CARE INSTRUCTIONS

GET TO KNOW YOUR EXPEDITION TRUCK CAP

We recommend you check all parts are included prior to first use.

Recommended Tools:

1x 10mm Socket/Wrench	1x Drill W/ 3/8 Bit
1x 13mm Socket/Wrench	1x Wire Strippers/Crempers
1x 4mm Allen Key	1x Heat Gun
1x Microfiber Towel	1x Electrical Tape
1x Glass Cleaner	

Bill of Material

2x Roof Rails	2x 3M Bulb Seal
2x Side Panels	2x Butyl Tape
1x Front Panel	6x Brackets
1x Rear Panel	1x Rear Lift Gate Handle

CNP02 Panel Hardware

20x Hex Bolts
20x Hex Nuts
40x Flat Washers

CNP03 Roof Rail Hardware

14x Hex Bolts
14x Hex Nuts
14x Flat Washers
14x Black O-Rings

CNP04 Front/Rear Lid Hardware

14x Allen Bolt
14x Stainless Flat Washers
14x Black Flat Washers
14x Rubber Flat Washers
14x Hex Nuts

CNP05 3rd Brake Light Hardware

3x Quick Splice
3x Heat Shrink Butt Connectors
1x Rubber Grommet

Brake Light Hardware

1x 1.5m Wiring
10x Zip Ties
8x Wire Guides

1

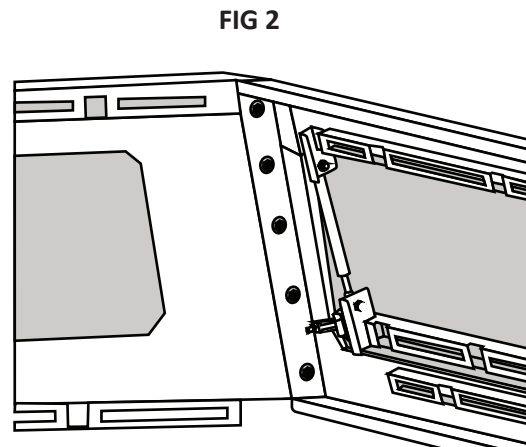
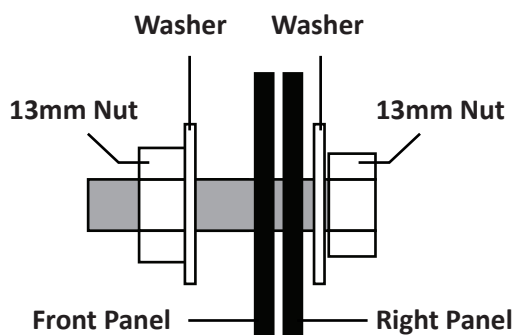
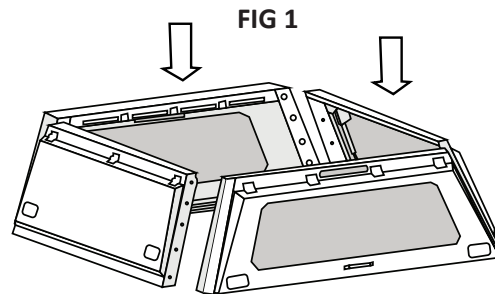
Open Box 1 & 2, Unpackage all panels and open all hardware packs.

Recommended Assembly on floor.

Place Panels on a padded surface or shipping blanket to prevent damage (FIG 1).

Using Hardware CNP02, Begin assembly of forward most and right sided panel.

Align assembly holes and insert hardware loosely into each of the 5 holes connecting both panels (FIG 2).

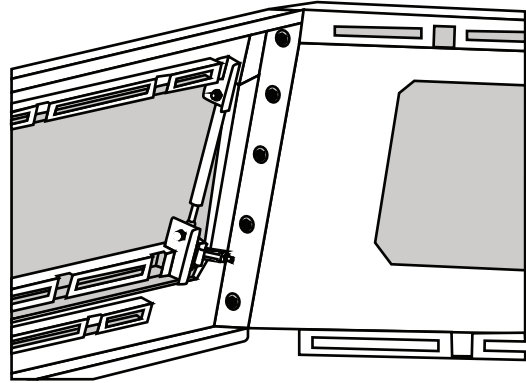
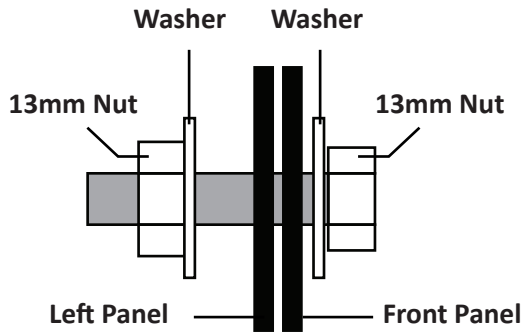


Expedition Truck Cap

SET-UP & CARE INSTRUCTIONS

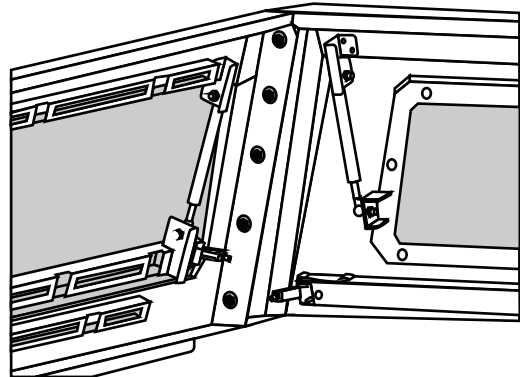
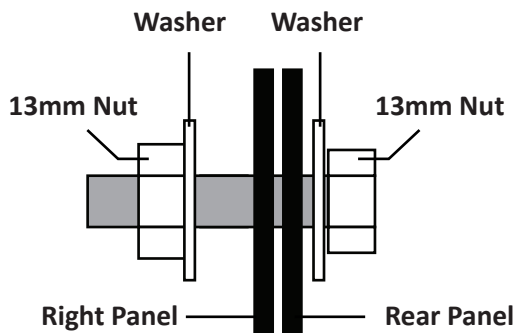
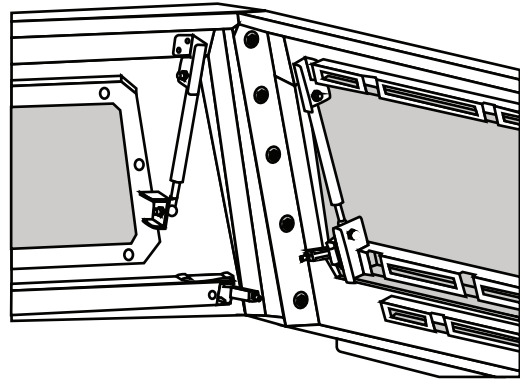
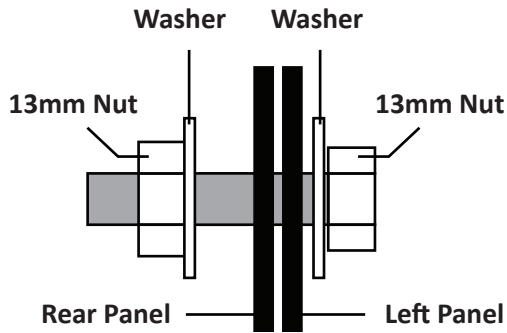
2

Repeat step 1 with left side panel



3

Align the rear panel and loosely assemble with supplied hardware



Once all panels are assembled, tighten all 20 bolts so the thread is flush with the end of the nut to help with the lid alignment.

Expedition Truck Cap

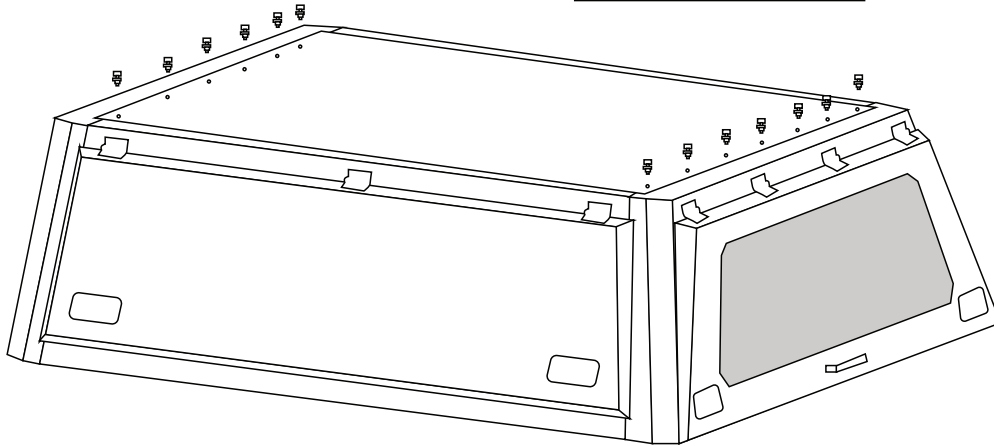
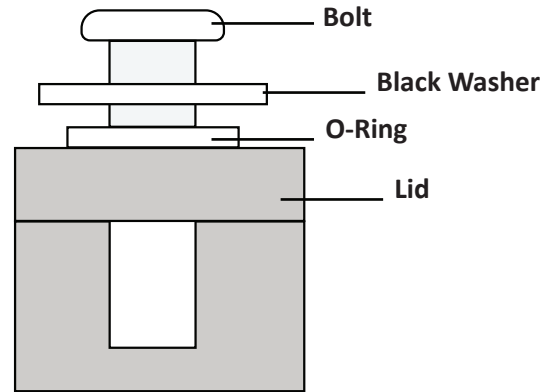
SET-UP & CARE INSTRUCTIONS

4

Starting with hardware pack 4 (CNP04)

Align the rear of the lid and loosely secure supplied hardware

When tightening the lid, start the front and rear portion first

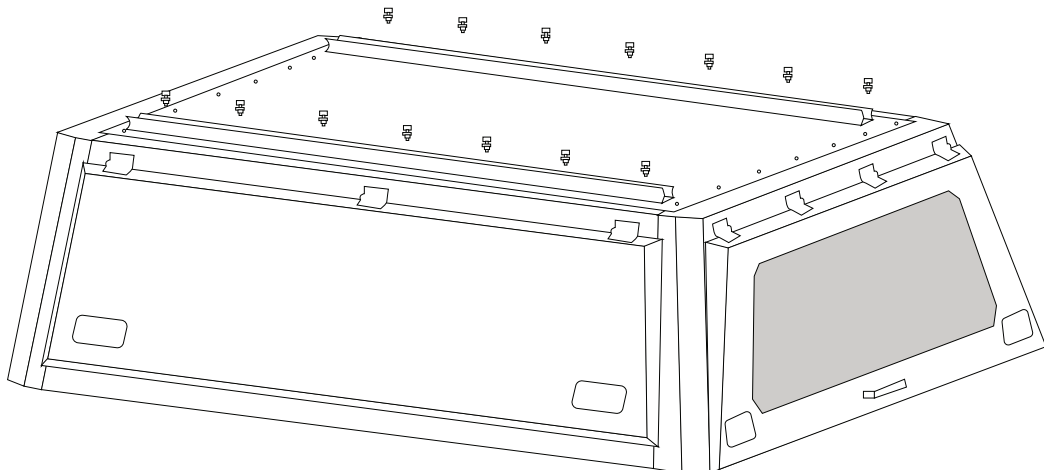
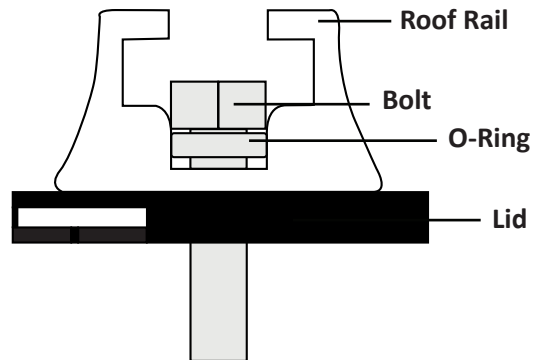


5

Install Roof Rails

Using Supplied hardware in CNP03
Install O Ring Flushed with Bolt

Seat Bolt in Roof Rail Channel



Expedition Truck Cap

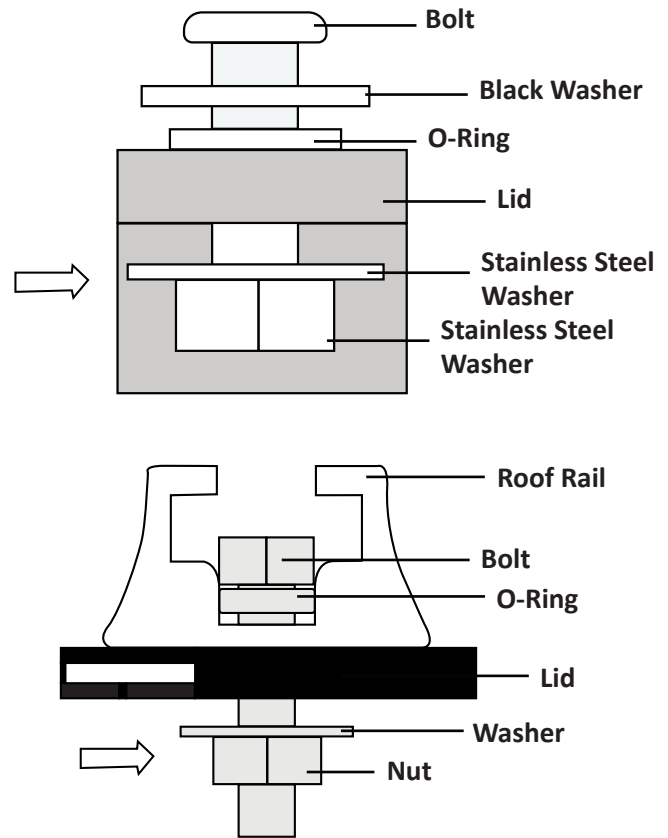
SET-UP & CARE INSTRUCTIONS

6

Once all bolts are loosely inserted in each assembly hole, go under the lid and tighten all 28 bolts.

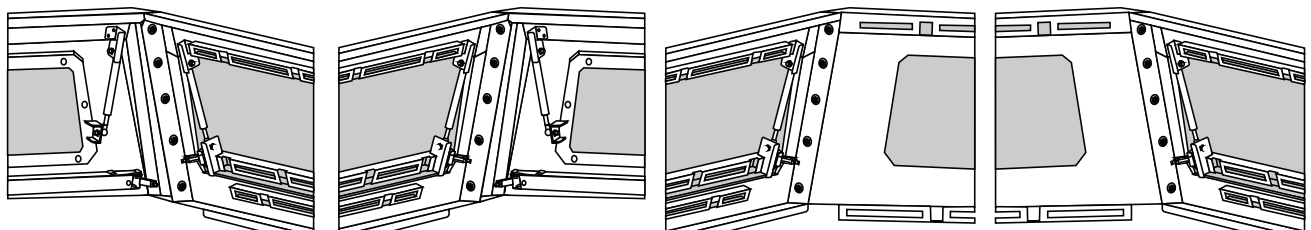
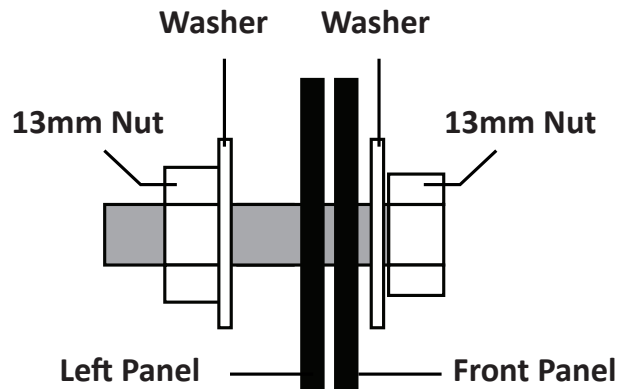
Start with the front and rear sides, making sure not to over-tighten and deform lid.

Bolts should be tightened enough to compress the lid gasket and O-Ring Gasket.



7

Once lid is tightened, tighten all panel assembly bolts.



Expedition Truck Cap

SET-UP & CARE INSTRUCTIONS

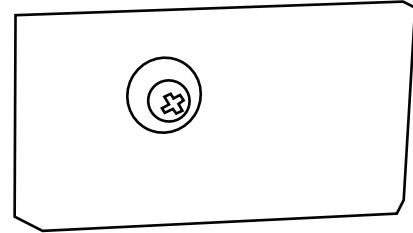
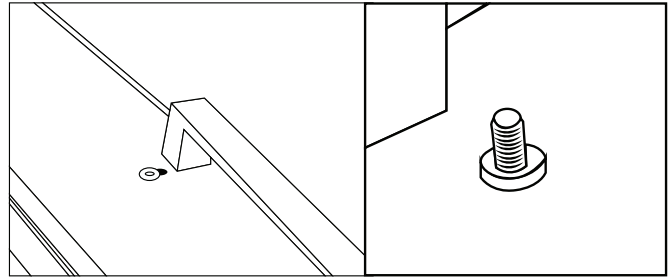
8

Unscrew pre-installed hardware off handle

From the inside, place screw, washer, and lock washer through panel holes.

Clear O-ring goes on outside of panel

Screw into pre-threaded handle.



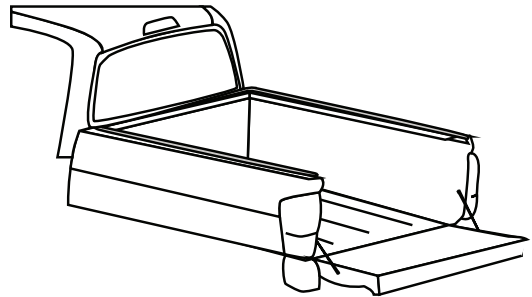
INSTALLATION ON VEHICLE

9

With a cloth and warm water, Clean Bed Rails and Bulk head in preparation of 3M bulb seal

Carefully adhere 3M Bulb Seal to the center of the bed rail

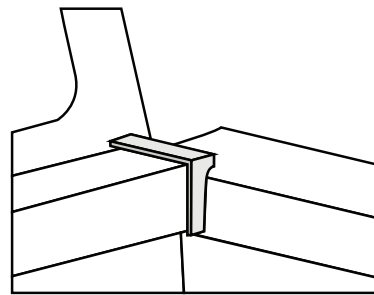
*Note: If having issue with adhesion, use provided 94 primer



10

It is recommended to use the provided Butyl tape at the bulk head and bed rail seam.

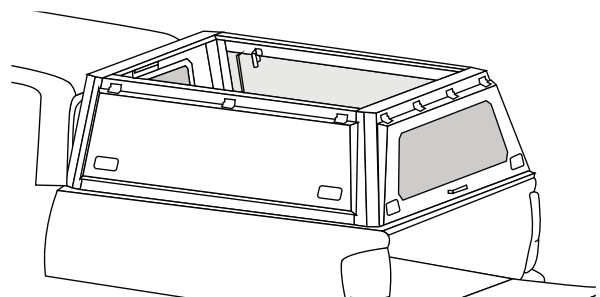
This will aid in reducing potential water into bed.



11

Set the Expedition Truck Cap on top of the vehicle. Take time to set evenly in place to eliminate damaging the 3M gasket.

NOTE: It is recommended that 4 people to place cap on vehicle to avoid damaging the vehicle or the cover.



Expedition Truck Cap

SET-UP & CARE INSTRUCTIONS

11

Before clamping, ensure that rear hatch open and closes properly, if interference with the tailgate, further alignment may be required.

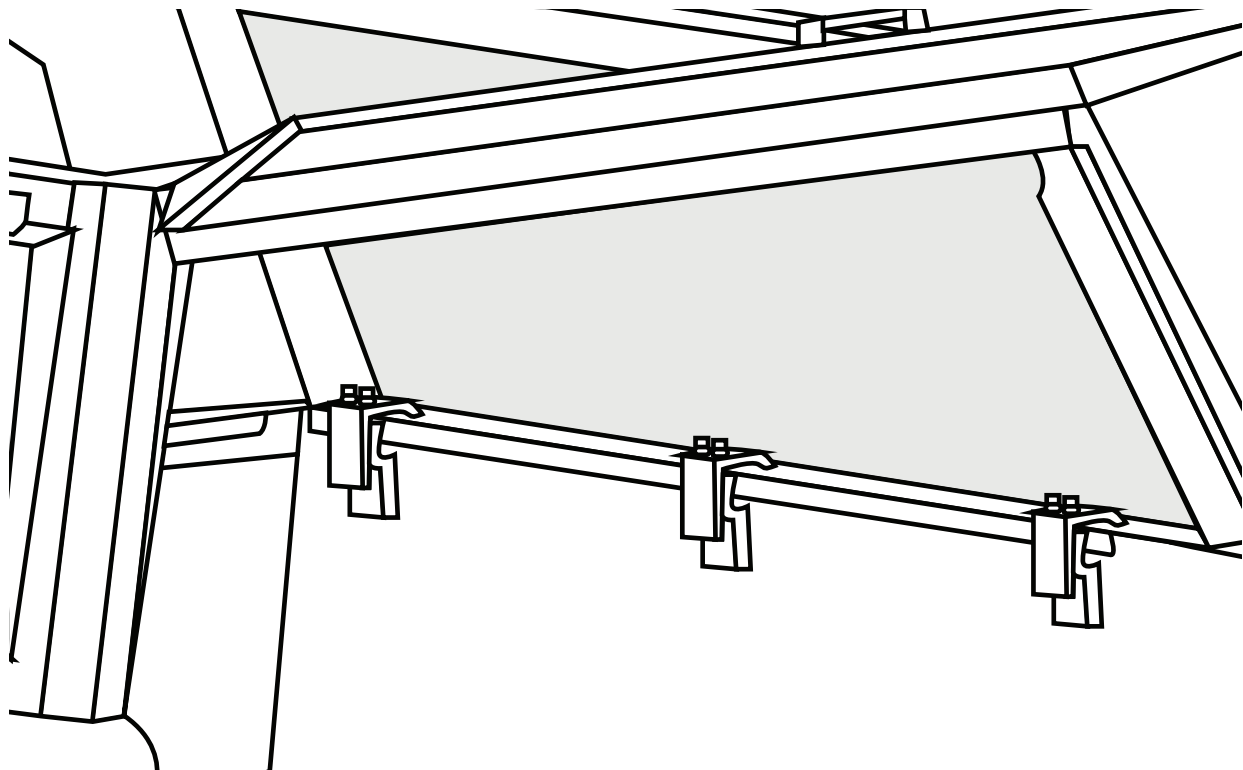
Ensure the cap is centered and not touching the cab

Install 3M Pad on the panel above and under the clamp locations prior to attaching the clamp to prevent scratching on Cap or vehicle.

Once cap is centered, front to back and left to right, secure Expedition Truck Cap on vehicle with provided 6 clamps.

***Note:** We recommend tightening the clamps by hand, once finished, tighten with wrench. Power tool NOT recommended.

***Note:** It is recommended to re-tighten all fasteners after the first 50 miles and every 500 miles thereafter



Expedition Truck Cap

SET-UP & CARE INSTRUCTIONS

WIRING CONFIGURATION - TOYOTA TACOMA

1

Disconnect the vehicle battery prior to any wiring.

***Note:** The following is the recommended method of wiring the third brake light/running light. If you intend on frequently removing the cap, wiring with a quick disconnect is recommended.

After removing driver side factory tail light, disconnect the 3 Bulbs completely removing the tail light.

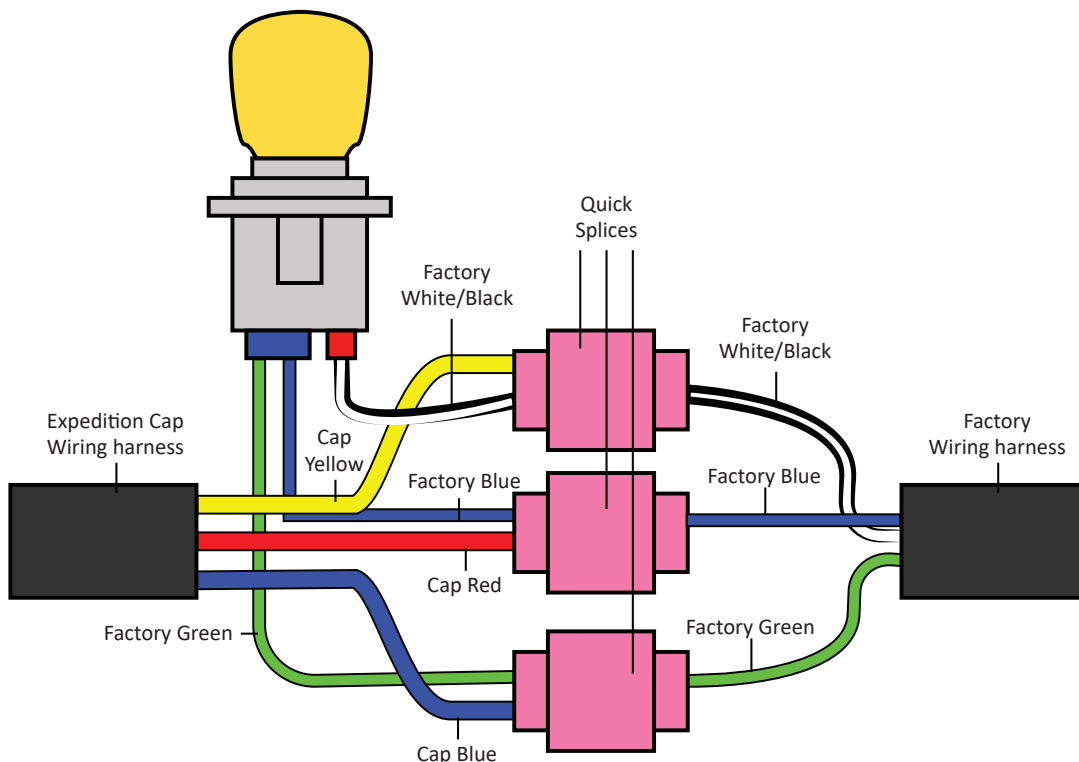
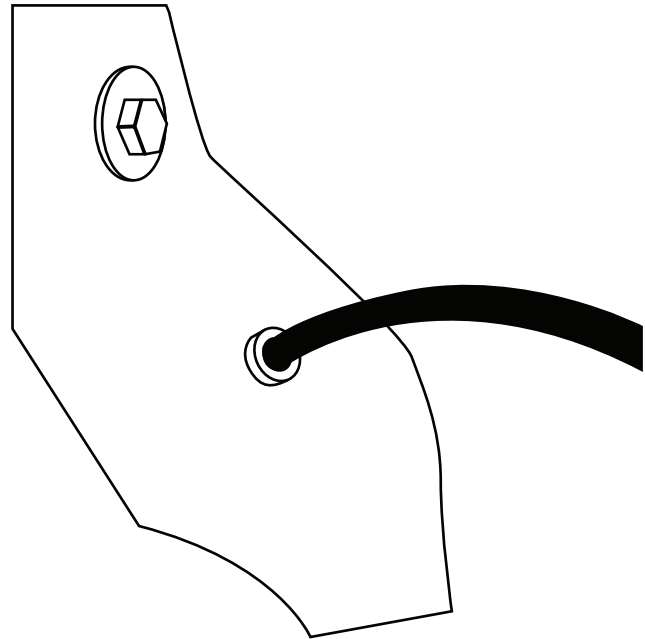
Drill a hole 3 Inches below the bolt on the driver side in the back of the truck bed to feed the Expedition wiring harness. Use the rubber grommet in the drilled hole to prevent the wiring from chafing.

***Note:** Splices will be used on the middle brake light.

Connect the wiring harness based on the color wiring diagram below

Use the 3 provided Quick Splices and Expedition Cap wiring harness

Provided quick splices are not insulated, it is recommended to cover connections with heat shrink tube and/or electrical tape



Expedition Truck Cap

SET-UP & CARE INSTRUCTIONS

2

Route the wiring harness through the pre-installed wiring guides to meet the 3rd brake light.

For extra cable management, use the adhesive clips to protect the wiring harness from being manipulated.

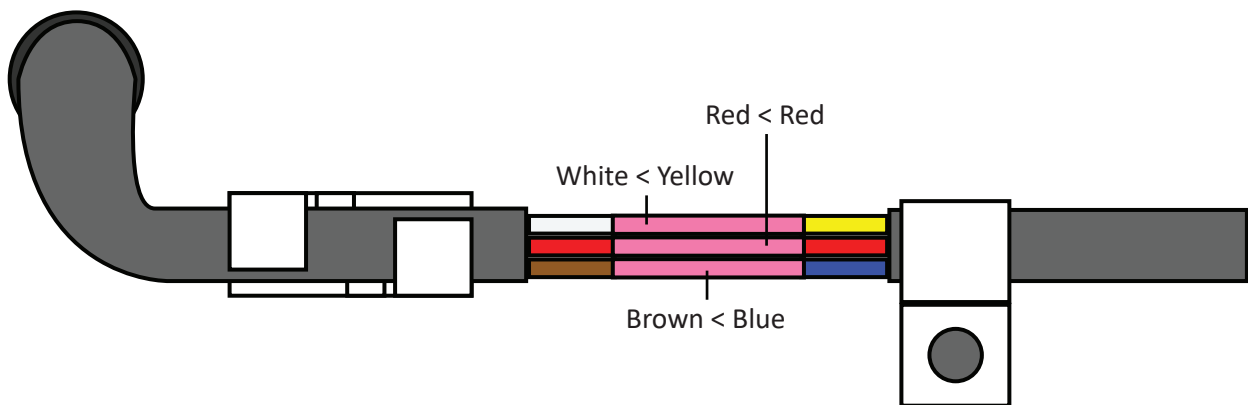
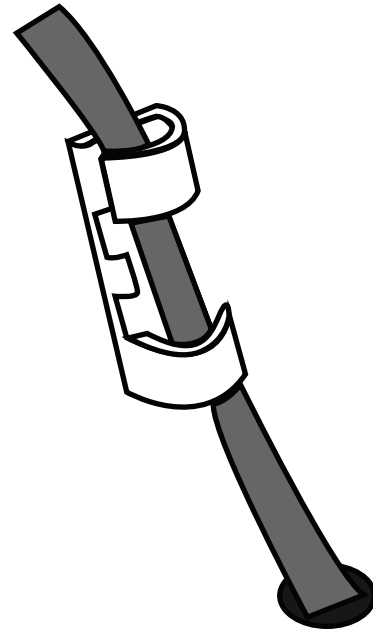
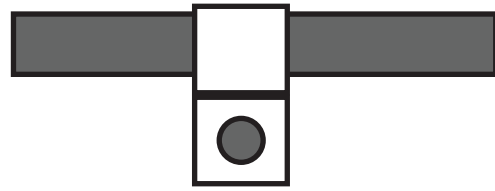
Using the 3 Butt connectors, connect the 3rd brake light wiring to the provided wiring harness
Using the diagram below

Once connections are made, use heat gun to heat shrink butt connectors. Once complete, cover wires and butt connector with electric tape.

For the wiring to the 3rd brake light,

Yellow Wire > White Wire
Red Wire > Red Wire
Blue Wire > Brown Wire

Reconnect battery when finished, test light for function.



Expedition Truck Cap

SET-UP & CARE INSTRUCTIONS

MARCH 2024

CLEANING

Clean with water, automotive detail soaps, and microfiber towels. Do not use automotive wax or polish on textured finish. Do not expose to petrol, diesel, oils, or other harsh chemicals.

STORING

Store in a cool and dry area, when not in use.



WARNINGS

- Always close the tailgate before closing the rear door and always open the rear door before you open the tailgate to prevent damage to the Expedition Truck Cap and Vehicle.
- Talk to a wiring specialist before setting up the wiring portion.
- Use only the tools recommended.
- Use provided hardware
- It is recommended that 4 people to place cap on vehicle to avoid damaging the vehicle or the cover.
- It is recommended to re-tighten all fasteners after the first 50 miles and every 500 miles thereafter
- We recommend tightening the clamps by hand, once finished, tighten with wrench. Power tool NOT recommended.
- Do not use a heat gun near combustible or flammable materials/atmospheres.



DO YOU NEED OUR HELP?



CUSTOMER SUPPORT 833-226-4863



SALES@OVERLANDVEHICLESYSTEMS.COM

WANT TO SHOW US YOUR RIG?
CHECK OUT OUR SOCIAL!

@overlandvehiclesystems

