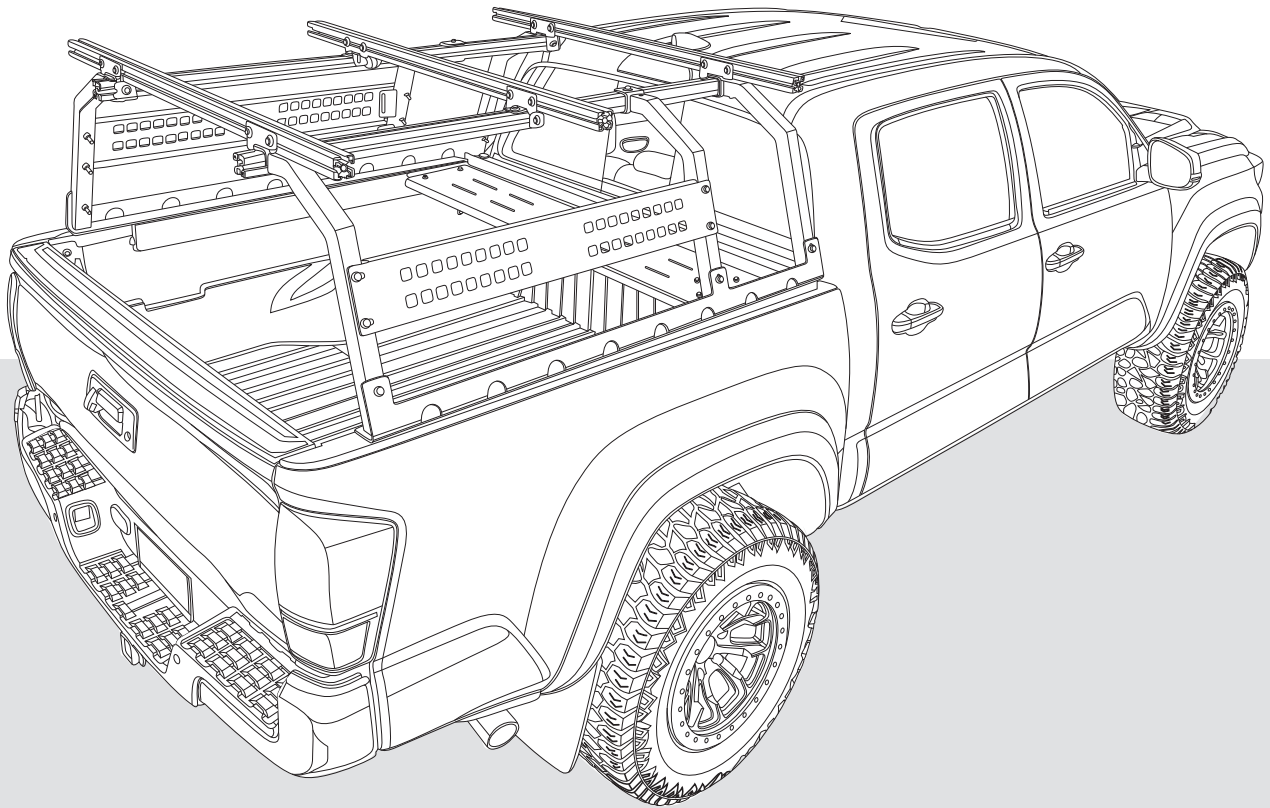




## Discovery Rack



**CAREFULLY READ INSTRUCTIONS  
PRIOR THE FIRST USE OF THE  
DISCOVERY RACK**

# GET TO KNOW YOUR RACK

We recommend you check all parts are included prior to first use.

## Box 1

Long Crossbars  
Short Crossbars  
Accessory Tray (Front of Rack)  
Side Plates (for accessories)

Bases  
Foam Pads

## Box 2

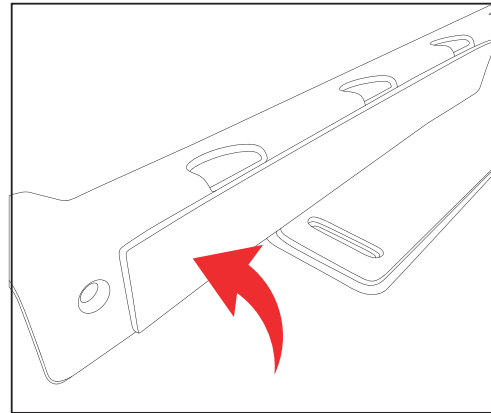
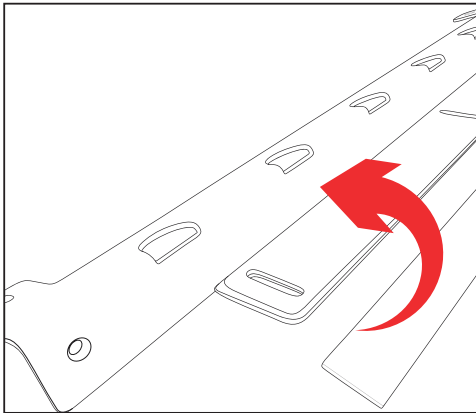
Hardware  
Tools

## ASSEMBLING THE RACK

1

Lay all pieces out prior to assembly. Keep hardware bags unopened, need to keep those bags organized for assembly. (KEEP BOLTS SLIGHTLY LOOSENED UNTIL ASSEMBLY ONTO VEHICLE)

Cut provided foam to size of base bottom, remove adhesive strip to attach. (Do not cover up bolt holes with foam strip)

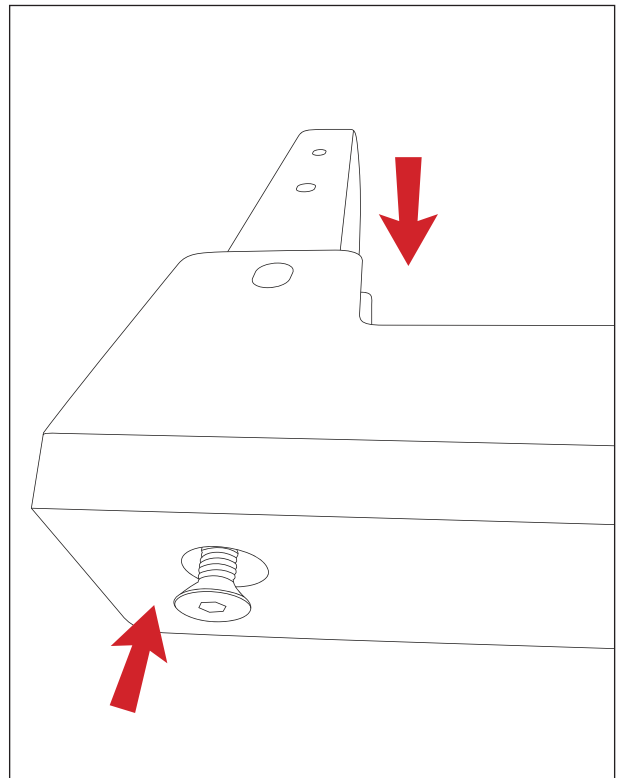
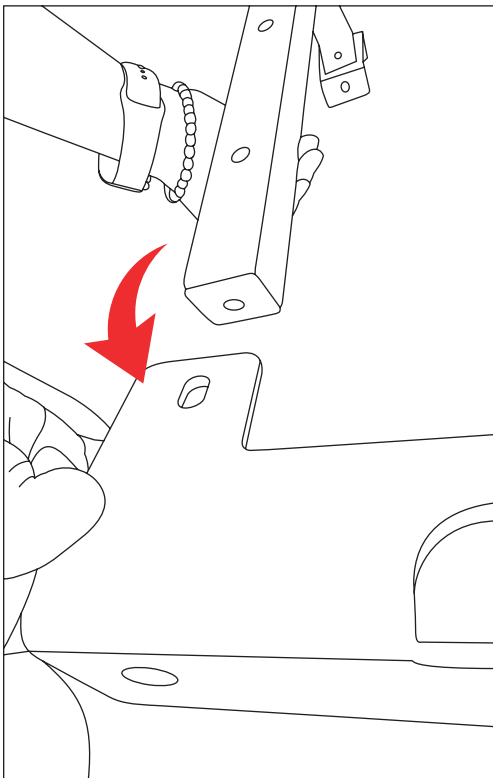
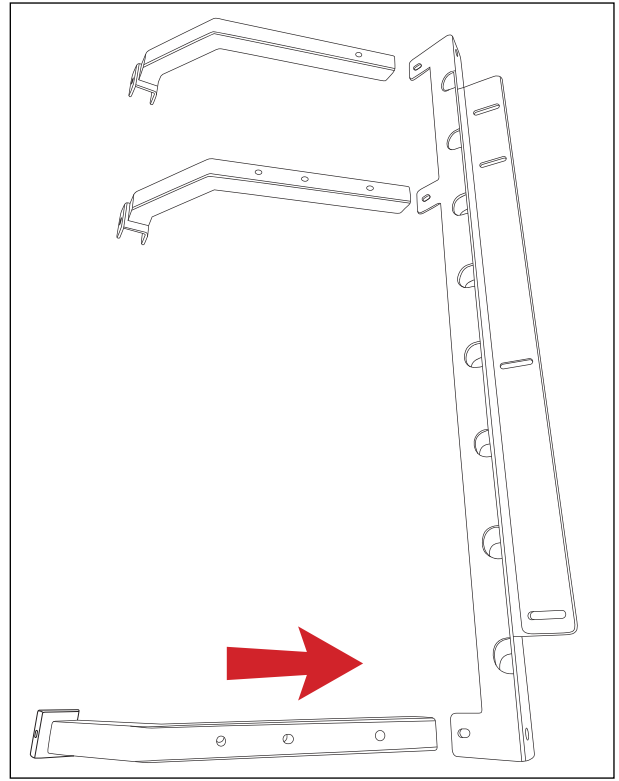
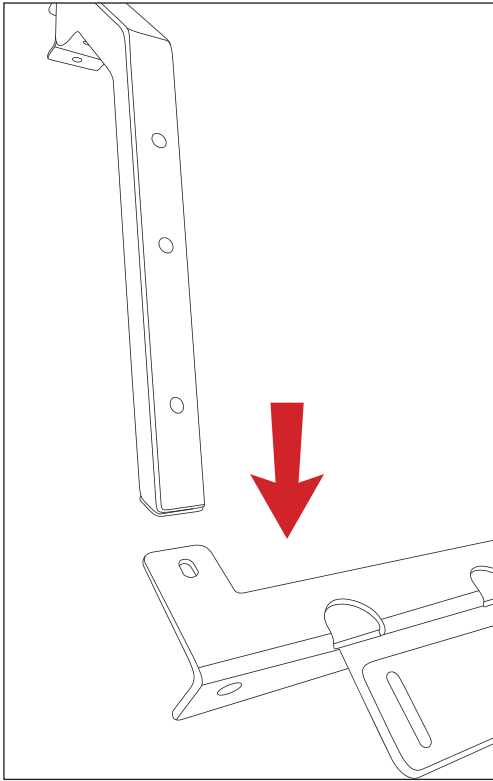


# DISCOVERY RACK

## SET-UP & CARE INSTRUCTIONS

2

Attach angled uprights to the base, using the 5mm conical bolts and the included Allen head tool, to tighten underneath base

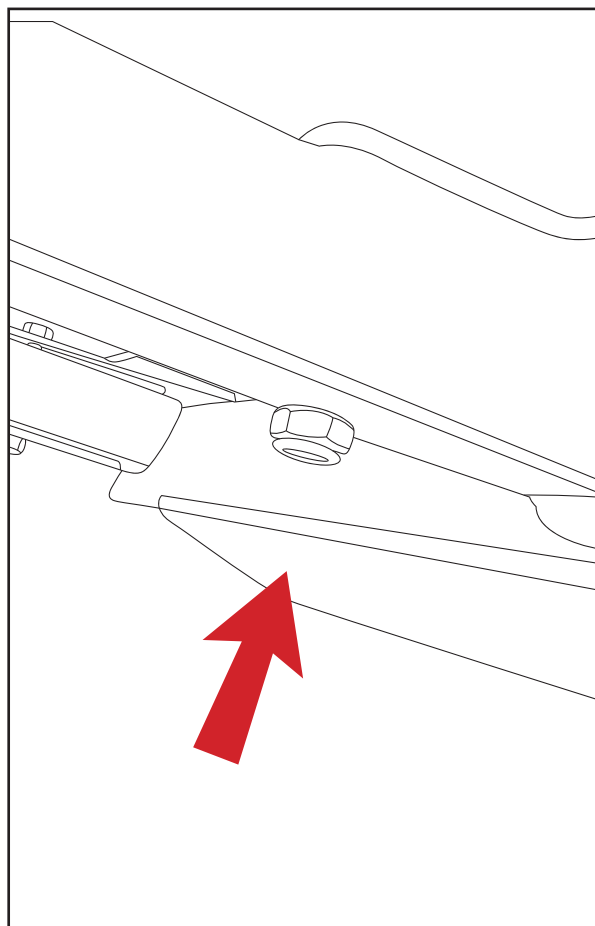
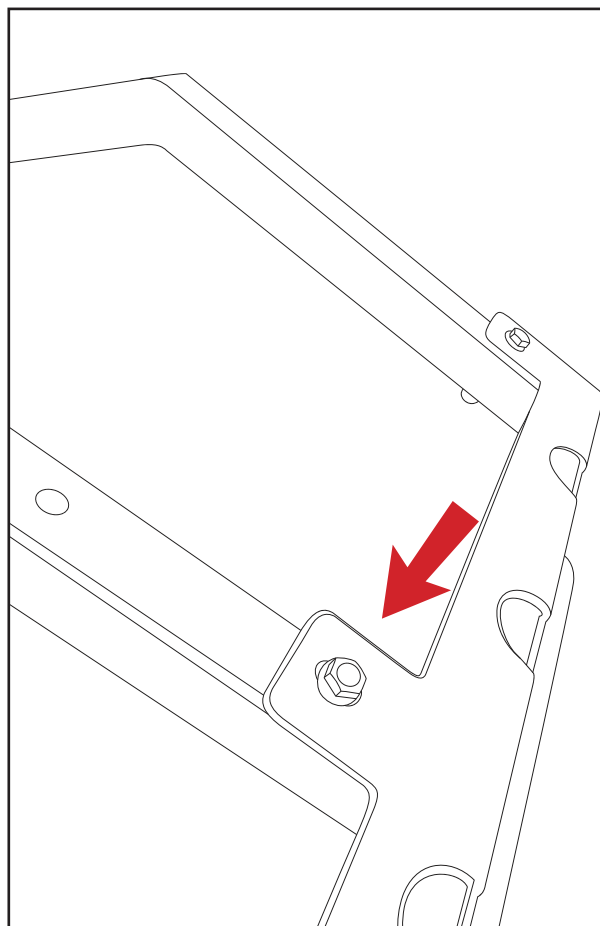
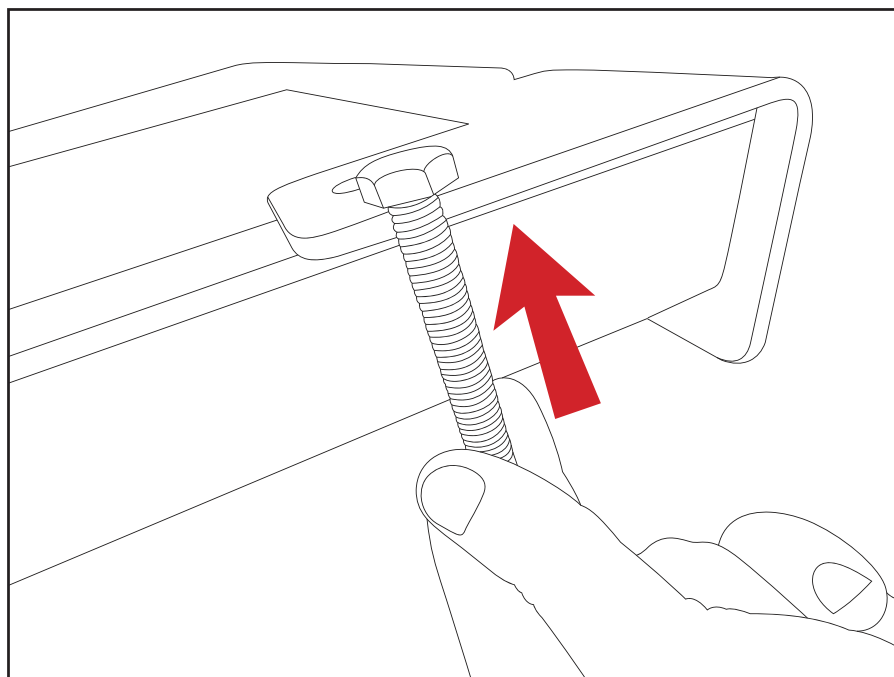


# DISCOVERY RACK

## SET-UP & CARE INSTRUCTIONS

3

Use the 16mm hex head bolts to attach upright to the side of base.



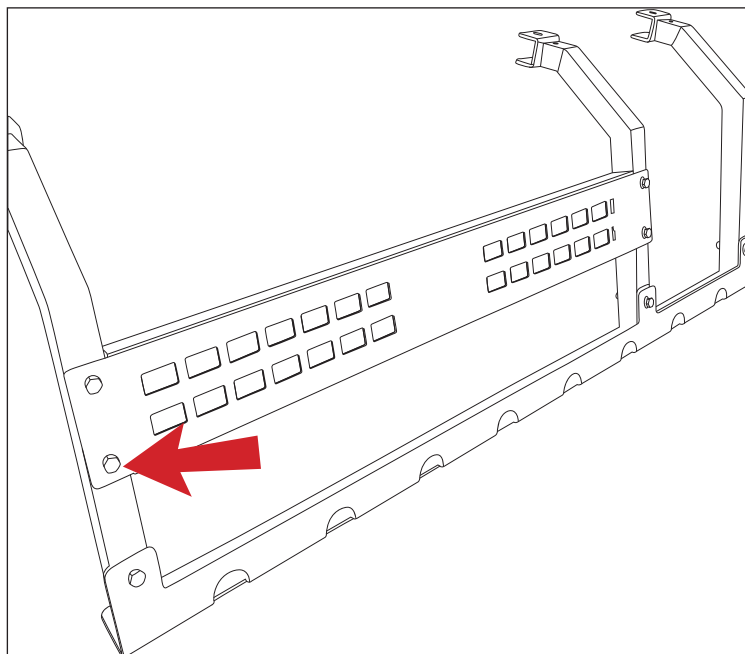
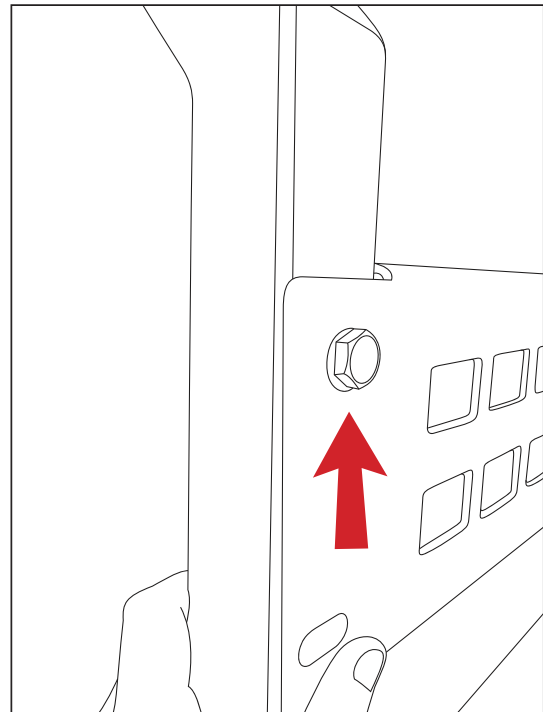
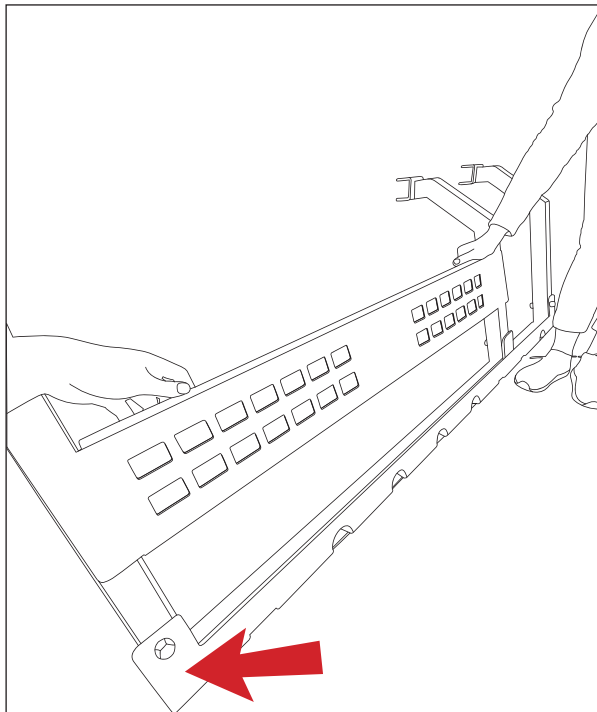
# DISCOVERY RACK

## SET-UP & CARE INSTRUCTIONS

3

There are 2 side plates, 1 for each side of the rack. Using the 16mm hex head bolts from Side Plate Mount Bag, attach side plates to the corresponding angles uprights. Attach side plate to uprights, bolt heads facing outward

**Items needed: Side Plate Mount Bag, Side Mount Plate**

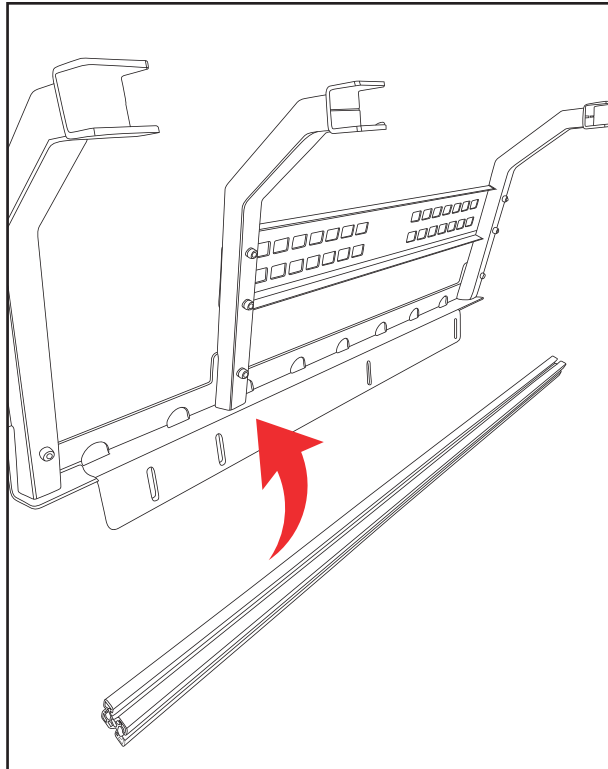


# DISCOVERY RACK

## SET-UP & CARE INSTRUCTIONS

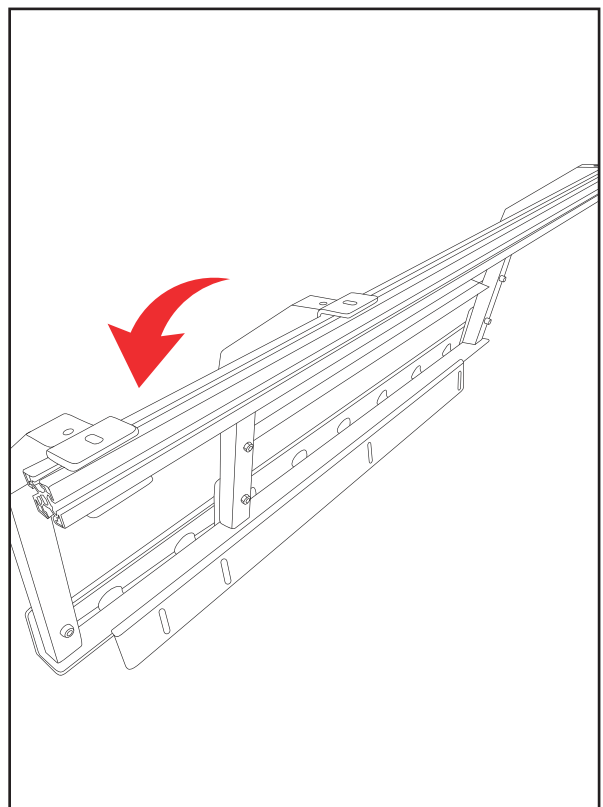
4

**Attach Short crossbar Brackets to long bar/ upright.**



There are 2 L-Shaped brackets that will attach on top of the front, and rear upright. 1 hex head bolt w/ a flanged nut, will attach this to the upright for now, the rest will attach to the short crossbars later.

The 1 cross-shaped bracket will be attached at the center of the long bar. Measure out the center of the bar, (will not attach to center upright) Using 2 hex head bolts w/ flanged nuts, you will attach this bracket to the center of the bar.

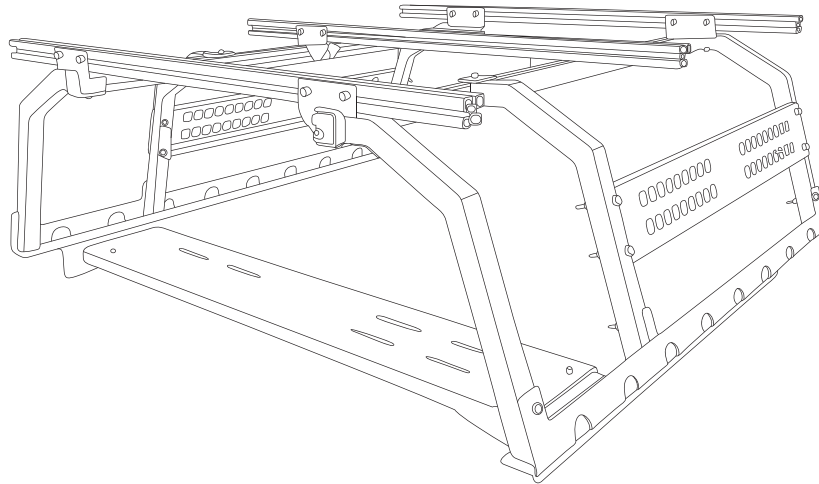


# DISCOVERY RACK

## SET-UP & CARE INSTRUCTIONS

5

Using the flanged nuts and 13mm hex head bolts, washers, and lockwashers, attach both halves of the Discovery Rack together with the short crossbars.

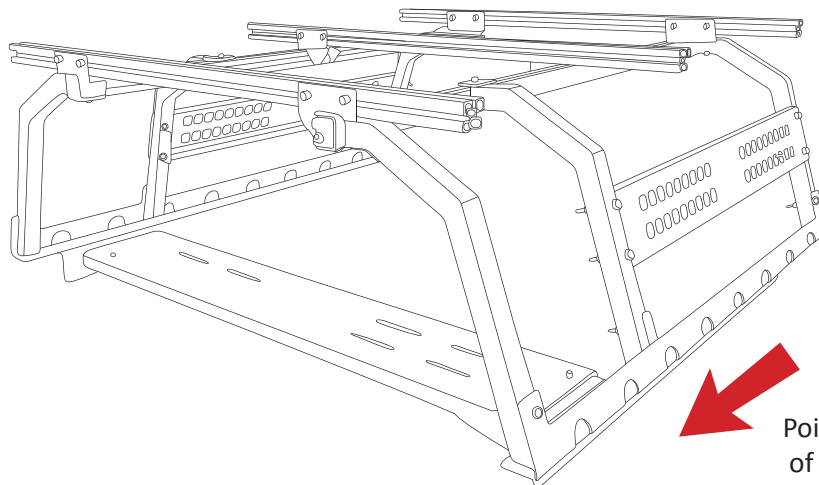


6

**THIS STEP REQUIRES 2 PEOPLE TO ACCOMPLISH DUE TO THE RACKS SIZE AND WEIGHT.**

Lifting and mounting rack onto Vehicle.

**NOTE: THE SIDE MOUNTING PLATE SHOULD BE POSITIONED TOWARD THE BACK OF THE VEHICLE.**



Point to the front of the vehicle

For stability reasons, assembling the rack off the car first is required. Once the Main Rack is assembled and the crossbars are slightly loose, you will put this onto your vehicle. Long and Short crossbar assembly must remain loose until the width is adjusted for your vehicle.

Note: If your vehicle uses a accessory rail system (3rd Gen Tacomas), you will slide the Truck Mounting bolts from (Bottom Mount Plate Bag #1) into the rail system to attach rack to the vehicle. If your vehicle does not have this, the bolts will clamp to your bed cap for stability.

Continue on next page

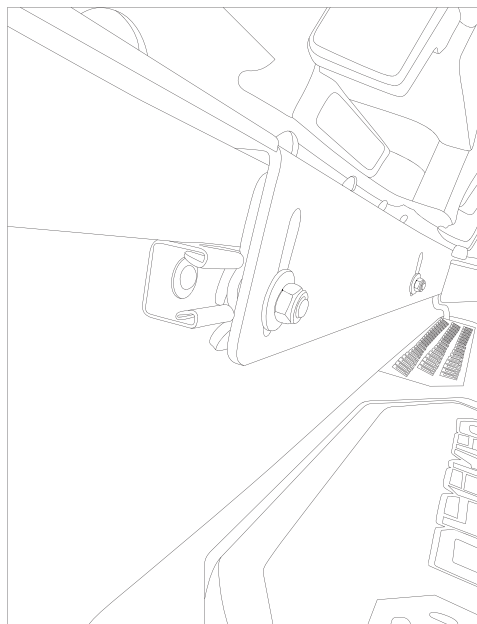
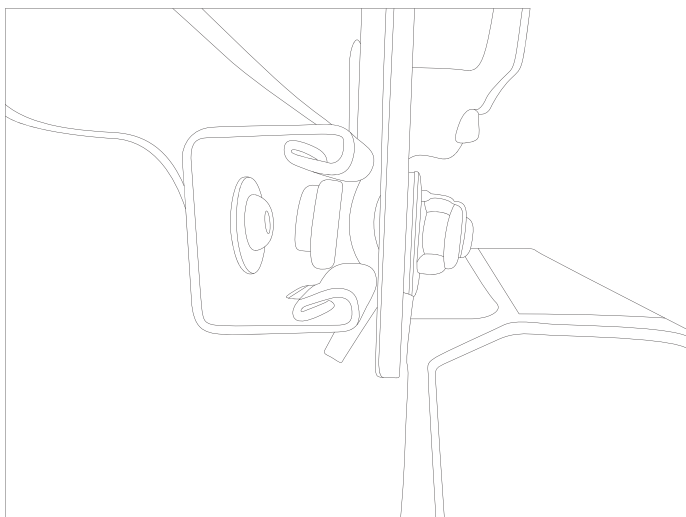
# DISCOVERY RACK

## SET-UP & CARE INSTRUCTIONS

6

Adjust width of rack to fit your vehicles specifications, while simultaneously lining up bolts to complete the mounting of the rack

Tighten down the rear 2 mounting points on each half of the rack using the 17mm lock nuts, leave the 2 front points open for Accessory Tray Assembly.

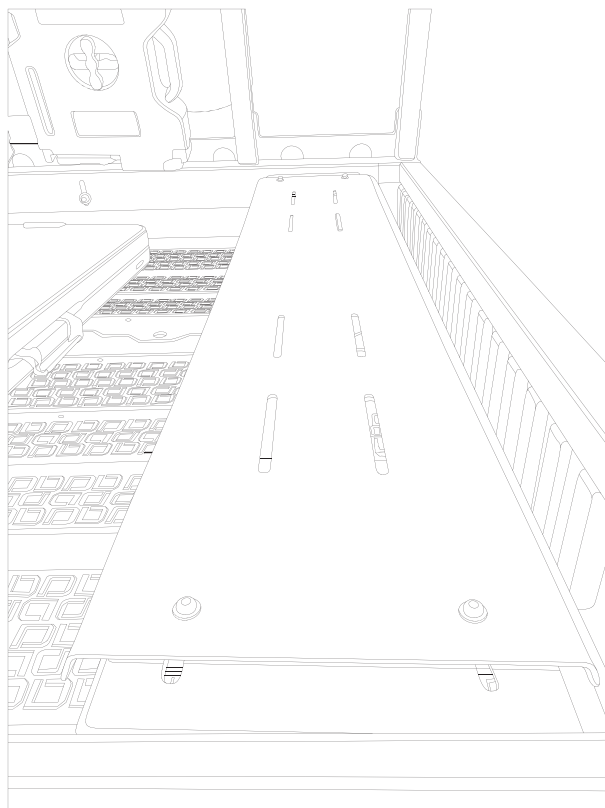


7

### ACCESSORY TRAY ASSEMBLY

The last part of the rack assembly requires the x2 Triangle shaped tray brackets, x1 accessory tray, x4 17mm locknuts, x4 truck mount bolts.

The tray can be used to mount other accessories to keep in your bed. Propane tanks, storage boxes, etc can be mounted here.





# DISCOVERY RACK

## SET-UP & CARE INSTRUCTIONS

7

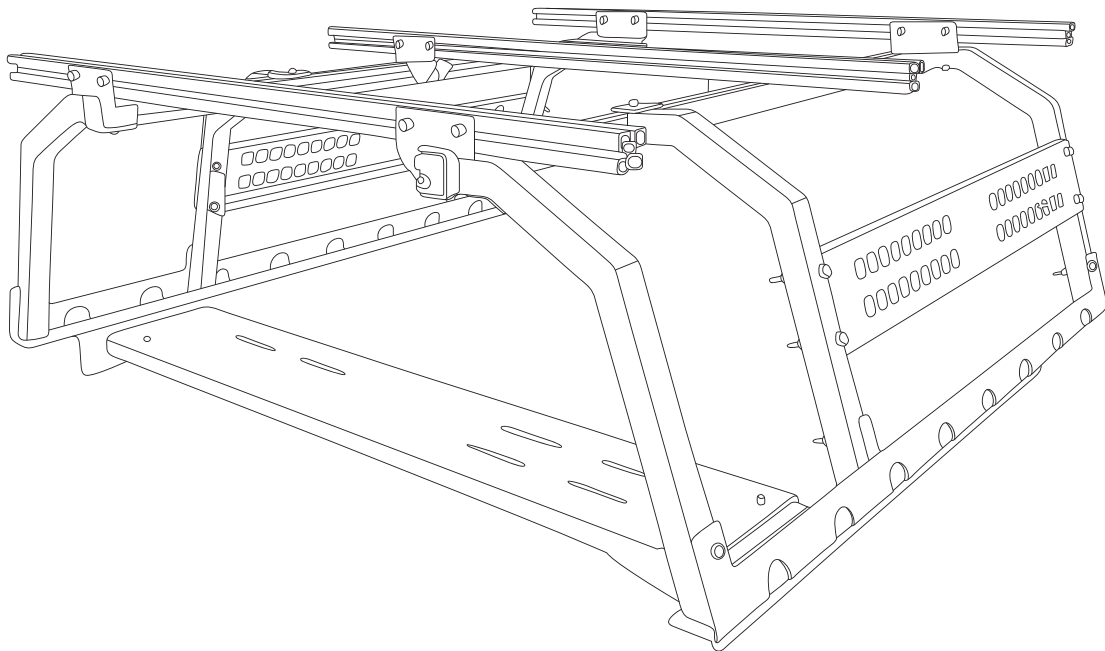
Taking the 2 tray brackets, these will line up with the base assembly to the truck. You should already have the truck mounting bolts in their points, these brackets will complete the assembly of the rack to the truck. (Keep points loose until the tray is on top and measured for width of vehicle).

Once brackets are connected loosely, you will take the 52.5" accessory tray, plus 4 4mm Allen head bolts, and tighten down the tray to the brackets. (The width will vary based on your vehicles bed).

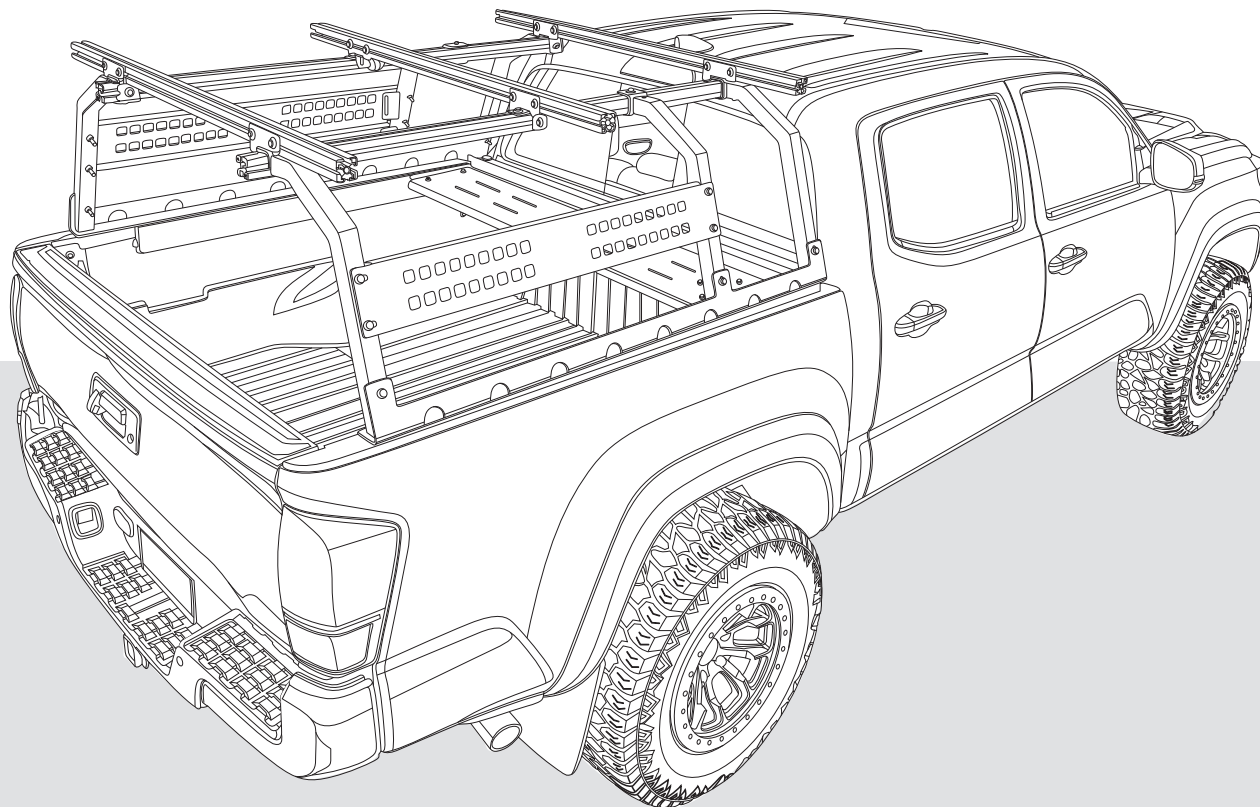
8

### COMPLETING ASSEMBLY

To complete this assembly, there should still be bolts loose on rack, adjust rack/crossbars to your vehicles specifications, then tighten down each bolt to fully secure the rack.



## INFORMATION ON THE DISCOVERY RACK



The OVS Discovery Rack is a multipurpose cab height rack that meets the needs of every Overlander. Custom fit for each application and designed to be a direct bolt on featuring square tube that can be set up to accommodate whatever trail needs you have. All of the racks are prewired and including full line of lighting all managed by a waterproof six way switch. This open rack design has plenty of capacity to support just about everything you want to put on it. OVS offers the best warranty with a limited lifetime structural warranty and five year finish warranty.

### FEATURES

- Comes fully equipped with all crossbars and sidebars
- Available in two different sizes 5 ft and 5.5 Foot
- Designed and tested for all common truck beds using our clamp design
- To 1.75" Square tube design on midsize applications & 2.0" Square tube design on all full-size applications
- No drill installation – bolts directly up to existing holes
- Built with engineered steel construction and a durable powder-coat finish
- Full length rails with integrated tie downs to ensure you can secure all types of loads
- Removable shelf to store quick access items like propane bottle, co2 tanks, compressors, etc.
- Side plates to mount gas cans, water cans, jacks, recovery ramps
- Comes fully equipped with all crossbars and sidebars
- Designed specifically to carry rooftop tents and accessories
- T-slot attachments make adding gear mounts and accessories fast—and simple
- Dynamic weight capacity of the freedom rack is 450 lbs.
- Static weight capacity goes up to 1350 lbs.



# DISCOVERY RACK

## SET-UP & CARE INSTRUCTIONS

### CLEANING

Clean with cold water and a cloth. Do not use soaps and detergents. Do not expose to petrol, diesel, oils or chemicals of any nature.

### INTENDED USE

This unique truck rack transports anything from construction materials and ladders to kayaks and more!

### VEHICLE FITTING

We recommend using an experienced aftermarket 4x4 accessories fitter to mount the 180° Awning to your vehicle. Fasteners and fixing connections should be checked regularly on both the awning and roof rack to ensure the awning is always mounted securely to your vehicle roof rack. Prolonged travelling on uneven rough or corrugated terrain will require more frequent inspections.

### INSTALLATION PRECAUTIONS

- Follow DOT regulations regarding installation and use.
- Park truck on a flat, level, hard surface well away from traffic. Place transmission in park.
- Verify that installation surface has no hidden wires before drilling or driving screws.
- Install only according to these instructions. Improper installation can create hazards.
- Wear ANSI-approved safety goggles and heavy-duty work gloves during assembly and installation.
- Mount Truck Rack securely to vehicle.
- Keep installation area clean and well lit.
- Keep bystanders out of the area during installation.
- Do not install when tired or when under the influence of drugs or medication.
- Weight capacity and other product capabilities apply to properly and completely installed product only.

### USE PRECAUTIONS

- Do not exceed rated weight capacity of Truck Rack, distributed evenly. Be aware of dynamic loading! Sudden load movement may briefly create excess load causing product failure.
- Do not exceed rated weight capacity of truck. Refer to truck's Gross Vehicle Weight Rating.
- Strap load securely to Discovery Rack.
- Use as intended only.
- Inspect before every use; do not use if parts loose or damaged.
- This product is not a toy. Do not allow children to play with or near this item.
- Maintain product labels and nameplates. These carry important safety information.
- The warnings, precautions, and instructions discussed in this instruction manual cannot cover all possible conditions and situations that may occur. It must be understood by the operator that common sense and caution are factors which cannot be built into this product, but must be supplied by the operator



## WARNINGS

**READ AND UNDERSTAND ALL INSTRUCTIONS. FAILURE TO FOLLOW ALL INSTRUCTIONS LISTED, FAIL TO READ MAY RESULT SERIOUS INJURY.**

• **DO NOT CUT OR MODIFY THE BED RACK OR MOUNTING ACCESSORIES.**

• **DO NOT EXCEED THE VEHICLE MANUFACTURER'S WEIGHT LIMITS.**

• **DO NOT USE DAMAGED OR EXCESSIVELY WORN PRODUCTS. CONTACT US IF YOU ARE UNSURE.**

• **THE WARNINGS, CAUTIONS, AND INSTRUCTIONS DISCUSSED IN THIS INSTRUCTION MANUAL CANNOT COVER ALL POSSIBLE CONDITIONS OR SITUATIONS THAT COULD OCCUR. IT MUST BE UNDERSTOOD BY THE OPERATOR THAT COMMON SENSE AND CAUTION ARE FACTORS WHICH CANNOT BE BUILT INTO THIS PRODUCT, BUT MUST BE SUPPLIED BY THE OPERATOR.**



## DO YOU NEED OUR HELP?



**CUSTOMER SUPPORT 833-226-4863**



**SALES@OVERLANDVEHICLESYSTEMS.COM**

**WANT TO SHOW US YOUR RIG?  
CHECK OUT OUR SOCIAL!**

**@overlandvehiclesystems**

