



***FREESPIRIT***  
RECREATION

**EVOLUTION V2 LONG AND SHORT**  
INSTRUCTION MANUAL

## **DEAR FREESPIRIT FAMILY,**

**As a family owned and operated business, it is our hope that as you get out there and use the Freespirit products, you feel like a part of our extended family and also feel like we are all out there exploring this great planet *together.***

**Our goal at Freespirit Recreation has always been to re-invent the roof top tent from the ground up. We work hard to create the best designs using the best products that allow for a fast and easy set-up. We want you spending more time *exploring and enjoying life.***

**At FSR, our goal is to listen to you-our customers. Thank you for your feedback and insight as we developed this new rooftop tent. We are excited for you to experience the Evo V2!**

**You have asked us to be innovative, to provide the best quality, to provide great customer service, and to keep creating products that *Elevate Your Adventure* so stay in touch with us!**

**Follow us on social media and on our website, [www.gofsr.com](http://www.gofsr.com).  
Have questions for us?  
Reach out, we are here to help!  
[sales@gofsr.com](mailto:sales@gofsr.com)**

**Oh, and because we have to put this in here...  
PLEASE REVIEW THIS INSTRUCTION MANUAL BEFORE USING  
YOUR ROOFTOP TENT.**

**From the Freespirit family to you, ***THANK YOU*** for your purchase.  
We hope that it really will *Elevate Your Adventure!***



**Renee Tewes, President  
Tanner Tewes, Head of Marketing and E-Commerce  
Kristine Sewell, Wholesale Director  
Ben Tewes,  
Head of Business Development & Product Innovation**

## **TABLE OF CONTENTS:**

PRODUCT OVERVIEW (PAGE 4)

PRODUCT SPECIFICATIONS AND FRAME (PAGES 5-8)

INSTALLING YOUR EVO V2 ROOFTOP TENT (PAGES 9-11)

MOUNTING HARDWARE (PAGE 12)

OPENING YOUR EVO V2 (PAGES 13-14)

TAKING DOWN YOUR EVO V2 (PAGES 15-16)

LED LIGHT CONTROLS, GENERAL MAINTENANCE, AND STORING YOUR  
ROOFTOP TENT (PAGE 17)

IMPORTANT NOTES, TROUBLESHOOTING (PAGE 18-19)

CONTACT INFORMATION (PAGE 19)

## **PRODUCT OVERVIEW:**

The Evolution V2 is finally here and it takes our rooftop tent game to the next level!

With an all-new interior redesign, the Evo V2 now comes with everything you need and more. At Freespirit Recreation it is our goal to listen to our customers and without a doubt your feedback did not disappoint. You have helped shape Version 2 to be the best Evolution yet! Let's take a closer look at your requests and what the FSR team delivered.

### **Exterior of the Rooftop Tent:**

- Premium products should come with premium looks. For 2023, we have decided to go all black in just about all areas of the tent. Frame, hardware, tent material, you name it. This is our slickest looking design yet!
- At first glance the Evo V2 comes in an all new octagonal matte black design. Even more rugged than before, our proprietary Tri-Layer Fabric will continue to keep you warm and protected in all environments.
- Versatility is pretty critical. For that reason, we decided to include a second entrance on the new Evo. Not only does this give you the ability to enter from both sides but you now get even better sweeping views than before. Each door comes with zip up Tri-Layer and bug mesh to serve all conditions.
- You needed better zippers. We heard your feedback and we made the improvements. Our zippers are now smooth and easy to operate. No more getting caught on the frame!
- Keeping in line with our lightweight designs and the slatted extruded aluminum bottom, the Evo V2 will keep your overall weight down and breathe properly to prevent condensation. The underside of the frame is now blacked out to keep a consistent and finished look across the tent frame.
- We also upgraded our gas struts to make opening and closing extremely easy and simple.

### **Interior of the Rooftop Tent:**

- There is one thing that is undeniable when achieving a great night of sleep, that's comfort. All new for the V2 is our Self-Inflating AirCore Mattress! With 80% memory foam and 20% air, you can control the comfort by inflating or deflating the mattress for your desired firmness or softness. Also, get the added benefit of keeping more bedding inside the rooftop tent when the mattress is deflated.



- Our signature air flow ventilation system has also got a much-needed upgrade. On the interior for those chilly nights, you can now cover your vents to keep the cold out or open them to further reduce condensation.
- Pockets, Pockets, and More Pockets! There are pockets on every side of the Evolution for all your storage needs.
- You will also find storage pockets above the side windows, great for jackets and larger items.
- An all-new dimmable LED Light Strip comes standard in all Evo V2's! We have you covered with our brightest setting or if you want to chill out just turn them down to a soft white with just a click of the button.



**Big Thanks:**

To all of you who spoke to us at shows, emailed, and communicated with Freespirit Recreation about enhancements we could make, we want to say *THANK YOU!* You are the reason we do this and we couldn't have done it without you.

Cheers to the Evolution V2 and Happy Camping!

**PRODUCT SPECIFICATIONS for Evo V2 Long:**

Exterior Closed Dimensions	9.75"h X 60"w X 88"l
Exterior Open Dimension	47"h X 60"w X 88"l
Interior height	39"
Mounting rails (center to center)	30.5"
Mounting rails (center to center 2nd holes)	23.5"
Mounting Rails length	75" 6.5" from tent edge
Mounting Rails Width	1.8"

Interior dimensions	55"w X 83"l
Front Door dimensions	49"w X 38"h
Back Door Dimensions	49"w X 38"h
Pocket dimensions	Dump: 10"w x 7"h Upper: 15"w X 7"h
More pocket dimensions	Cargo Net: 24"w X 15"h (triangle)
Mattress size when deflated	2"h X 52"w X 73"l
Mattress size when inflated	3"h X 52"w X 79"l
Room inside for gear	3" with deflated mattress
Length of side channels	77.5"l X 2.5"w
Center side channel to side channel length	1" .47"w X .32" depth
Weight	184 lbs
Weight Capacity	750 lbs
Tri Layer Materials	3 Layers of 150D Poly-Oxford with 90g/M2 Poly-fil
Mounting Bracket Size	1.2"w X 7"l X .75" deep (Fits up to 3" bar)
Mounting Bolt Length	M8 - 1.25mm X 2"L
Carrying capacity when closed	225 lbs
Carrying capacity when open	Needs proper testing
Gas Strut Rating	380N
Ladder Height Open	97.5"
Ladder Height Collapsed	30"
Ladder Width	19"
AirCore Mattress Dimensions:	78" x 52" x 3" thick 12lb
Manual Deflated Dimensions:	2 min, 52 in Wide x 69 in Long x 1.75 in Thick

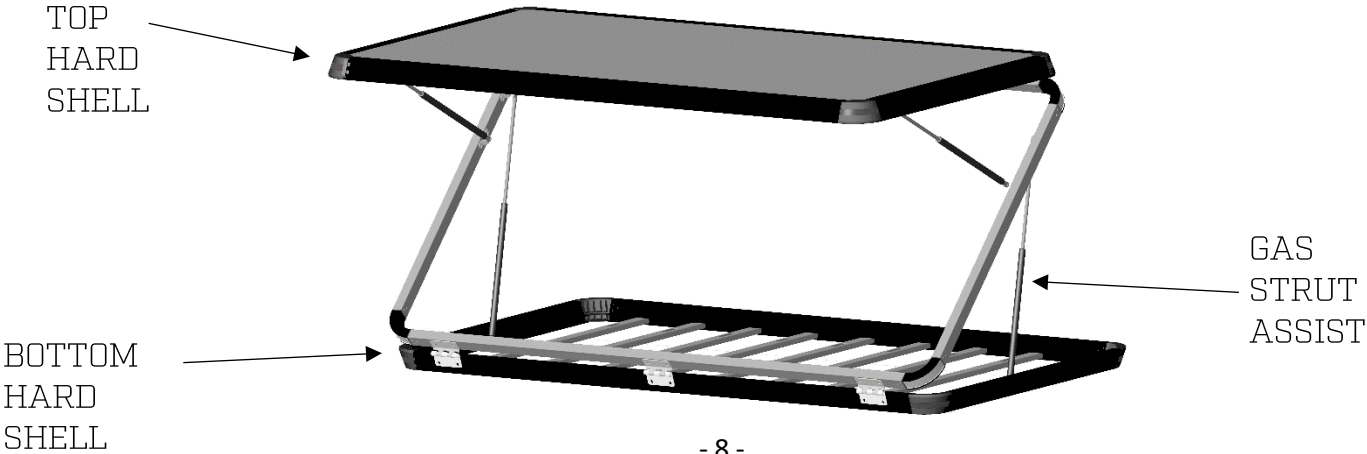
Manual Inflated Dimensions:	2.5 min, 52.5 in Wide x 71 in Long x 2.75 in Thick
Air Pump Deflated Dimensions:	1.30 Sec, 52 in W x 69 in L x 1.5 in Thick
Air Pump Inflated Dimensions:	30 Sec, 53 in W x 71.5 in L x 3 in Thick

### **PRODUCT SPECIFICATIONS for Evo V2 Short:**

Exterior Closed Dimensions	9.75"h X 60"w X 79"l
Exterior Open Dimension	47"h X 60"w X 79"l
Interior height	39"
Mounting rails (center to center)	30.5"
Mounting rails (center to center 2nd holes)	23.5"
Mounting Rails length	66" 6.5" from tent edge
Mounting Rails Width	1.8"
Interior dimensions	54"w X 74"l
Front Door dimensions	41"w X 38"h
Back Door Dimensions	41"w X 38"h
Pocket dimensions	Dump: 10"w x 7"h Upper: 15"w X 7"h
More pocket dimensions	Cargo Net: 24"w X 15"h (triangle)
Mattress size when deflated	2"h X 52"w X 67"l
Mattress size when inflated	3"h X 52"w X 73"l
Room inside for gear	3" with deflated mattress
Length of side channels	70"l X 2.5"w
Center side channel to side channel length	1" .47"w X .32" depth
Weight	164 lbs

Weight Capacity	750 lbs
Tri Layer Materials	3 Layers of 150D Poly-Oxford with 90g/M2 Poly-fil
Mounting Bracket Size	1.2"w X 7"l X .75" deep (Fits up to 3" bar)
Mounting Bolt Length	M8 - 1.25mm X 2"l
Carrying capacity when closed	225 lbs
Carrying capacity when open	Needs proper testing
Gas Strut Rating	380N
Ladder Height Open	97.5"
Ladder Height Collapsed	30"
Ladder Width	19"
AirCore Mattress Short Dimensions:	78" x 52" x 3" thick 12lb
Manual Deflated Dimensions:	2 min, 52 in Wide x 69 in Long x 1.75 in Thick
Manual Inflated Dimensions:	2.5 min, 52.5 in Wide x 71 in Long x 2.75 in Thick
Air Pump Deflated Dimensions:	1.30 Sec, 52 in W x 69 in L x 1.5 in Thick
Air Pump Inflated Dimensions:	30 Sec, 53 in W x 71.5 in L x 3 in Thick

**PRODUCT FRAME:**





## **INSTALLING YOUR EVO V2 ROOFTOP TENT ON YOUR ROOF RACK:**

### IMPORTANT NOTE:

We recommend that the Evo V2 be installed on a separate roof rack on top of your vehicle, one that can handle over 175lbs of dynamic load. We do offer some roof racks on our website, or you can purchase them from several companies including Rhino Rack, Yakima, Thule, Dee-Zee, etc. If you have any questions on which roof rack will work for your specific vehicle, please reach out to the roof rack company directly.

The distance between the Evolution Roof Top Tent and the roof rack should not exceed more than 1.5”.

### INSTALLATION STEPS:

1. Install your roof rack per the manufacturer’s instructions and in the load bearing position on the vehicle. With two or more people, lift the Evo V2 Rooftop Tent upward, beside the vehicle and put it on top of the roof rack. Adjust the tent to the roof rack’s center. If your vehicle has a rear door that opens vertically, please ensure the door can open and close with the Evo V2 Rooftop Tent on top of your vehicle.



- Slide the M8x50 hexagon bolts into the rails from both sides ensuring you have positioned 8 of them. Lastly, fix the u-shape stator.



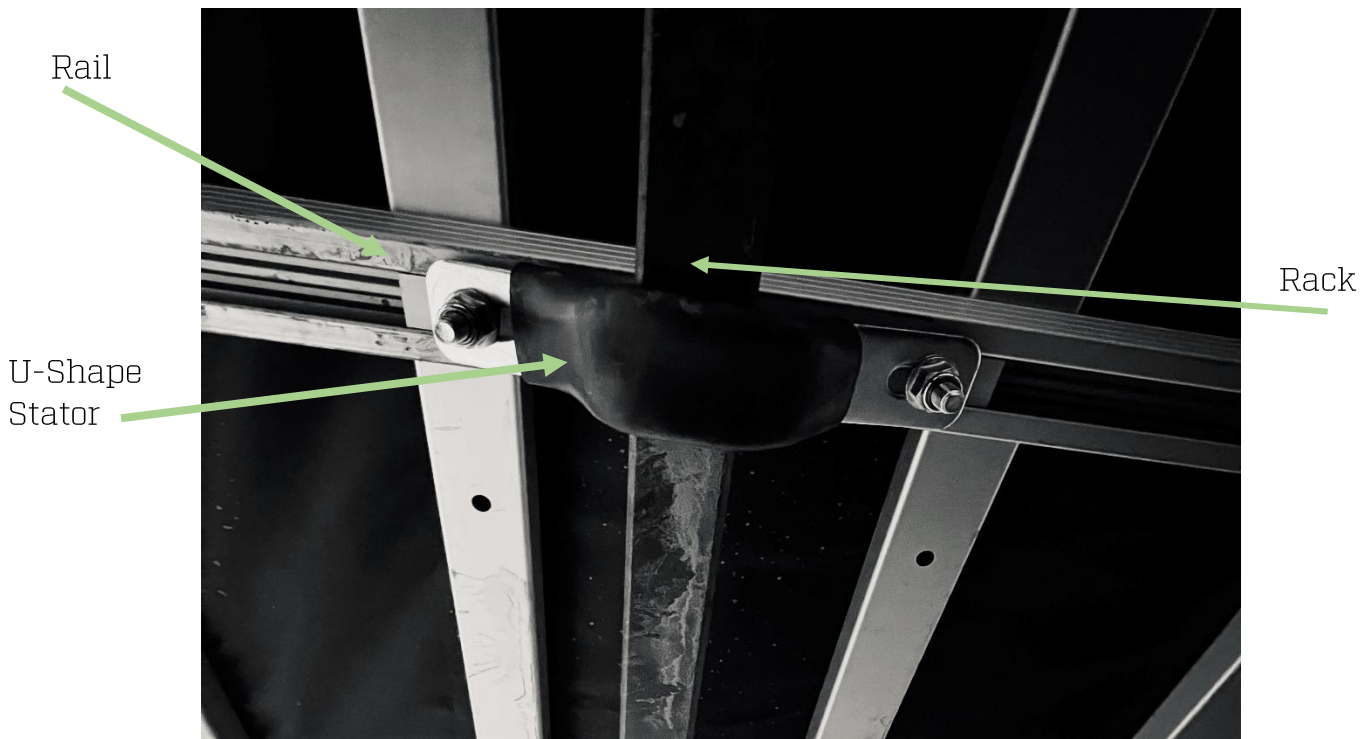
- Ladder Mounting Installation:** The Evo V2 comes standard with a new, all black telescoping ladder. The ladder mounts need to be installed prior to use. The Evo V2 has six slider plates, pre-loaded in the track on the front side of the rooftop tent. Take a Phillips head screwdriver, a lock washer, and a washer and install the first screw in the top hole, don't fully tighten so the plate still slides. Repeat process for holes two and three. Repeat entire process for second ladder mount that is horizontal to the first. Make sure that the ladder mounts are 12" from the left side of the bracket to the right side of the second bracket, see pictures below. Attach the ladder to the frame and then open the telescoping ladder to your desired height.



Important Note: If you find that you are missing one of your slider plates, please look behind the tent hinge closures.



**MOUNTING HARDWARE INCLUDES:**



## **OPENING YOUR EVO V2 LONG AND SHORT:**

- a. Release the stainless-steel buckles, there are 8 positions on the tent and these buckles are malleable.



- b. From the rear side of the tent, push up from the center until you feel help arrive, the gas strut assist will do the rest.  
+ If your windows are completely shut you may experience a vacuum effect. This puts unneeded stress on the struts. Love your struts, keep your windows slightly open when storing.



- c. Now, walk around to the front side, read that pretty logo! Welcome to the family. Push up from the center and help is on the way. Gas strut assist buddies! You are ready to go camping my friend.
- +Optional: if the tent is out of your reach and you haven't already installed your ladder, grab your handy ladder, install it properly on the ladder brackets, and ascend your ladder until you can lift from the center. Let the struts do the work.



**Your Evo V2 Rooftop Tent is set-up and ready....  
it's time to *Elevate Your Adventure!***

## **TAKING DOWN YOUR EVO V2 ROOFTOP TENT:**

1. Deflate your mattress if you are packing bedding inside your tent.



2. Organize your things. Don't forget your phone or keys up here!
3. Zip all windows. Leave your windows partially open so the air can escape during closing.



4. Get on your ladder safely.
5. Walk to the back of the tent. Pull the strap down, tuck fabric if needed.

Black  
Strap



6. Pull the front down and tuck fabric if needed.



7. Start closing all of your latches to secure your tent. Remember all 8 latches.



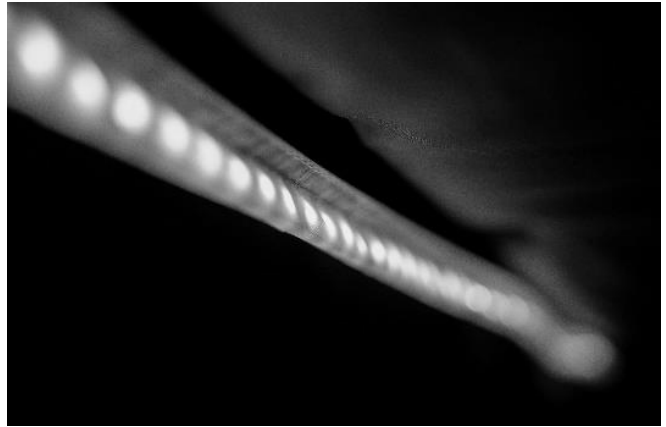
8. Make sure you double check your latches.

9. Remove and store your ladder.



## **LED Light Controls:**

1. Requires USB adapter, Battery pack required.
2. Press button to power on.
3. Press up or down to dim the lights.



## **GENERAL MAINTENANCE:**

1. Before you pack up the tent, please make sure the fabric is dry.  
A microfiber towel works great with FSR Tent Cleaning products.
2. Make sure all your fabric is tucked away properly and free from any snags.
3. Double check that your latches are closed before traveling.
4. Always check your hand tight nobs on your mounting hardware before traveling.

## **STORING YOUR ROOFTOP TENT:**

1. If you choose to leave your rooftop tent on top of your car for long periods of time and especially during times of extreme weather conditions, please make sure to take care of your equipment with the FSR rooftop tent cleaning kit.
2. If you choose to remove your rooftop tent for the winter season, please use the protective cover provided when it was shipped to you to add a little more protection to the outside of your tent. We recommend that you store your tent on a flat surface just like it came out of your car.

## **IMPORTANT NOTES:**

1. When taking down your tent, please make sure there are no other objects left in the tent (ex. Sleeping bags, pillows, etc).
2. Please don't put extremely heavy objects on the tent when it is closed.
3. The cover for the mattress is hand washable. When cleaning the tent, please use a wet rag to clean and wipe it.
4. Please check all the connecting points of the tent to the roof rack and vehicle to make sure all points are locked.
5. Please don't jump inside the tent because it can cause damage from uneven force.
6. Always keep the tent in the closed position when driving your vehicle.
7. Please use your best judgment in extremely windy conditions on whether to use your tent or not.
8. If you hear abnormal noise when setting up or taking down your tent, please check the rail and all connection points right away to make sure the tent is on the roof rack and vehicle correctly.

## **TROUBLESHOOTING TIPS (IF NEEDED):**

1. If the gas strut assists do not work correctly.
  - +If you are experiencing slow gas struts, you may have air trapped inside your tent creating a vacuum. Leave your windows cracked, this will let the air escape when opening and closing.
  - +Check to see if the pole for the gas strut assist is covered by any fabric.
  - +Check to see if there is any air leaking from the gas strut assist. If there is a leakage, it needs to be replaced.
  - +If you have exceeded the weight capacity of the struts by storing equipment on your rooftop tent the struts will not operate correctly.
2. If your tent is misaligned.
  - +Close your tent. Leave unbuckled. From the corner that is kicked out, push it back into place so it lines up.
  - +If you need to move to another side to align your tent, proceed around your tent to each corner.
  - +Once the black square plates are in position you are aligned correctly.
3. Inflate and Deflate your air-core mattress.
  - +If you are having trouble manually inflating or deflating your air core mattress, make sure these steps are followed.
  - +Open both valve screw caps to check orientation.
  - +Check the internal yellow plugs. You will have one plug with a nipple facing out, you will have one plug with the nipple facing inside the Air-Core.
  - +Inflating is used on the plug with the yellow nipple facing out while the other valve is closed..

