

FREESPIRIT

RECREATION



ASPEN LITE | ASPEN LITE XL

INSTRUCTION MANUAL

DEAR FREESPIRIT FAMILY,

As a family owned and operated business, it is our hope that as you get out there and use the Freespirit products, you feel like a part of our extended family and feel like we are all out there exploring this great planet *together*.

Our goal at Freespirit Recreation has always been to re-invent the roof top tent from the ground up. We work hard to create the best designs using the best products that allow for a fast and easy set-up. We want you spending more time *exploring and enjoying life*.

At FSR, our goal is to listen to you-our customers. Thank you for your feedback and insight as we developed the Aspen Lite and Aspen Lite XL, we are proud of our partnership with Talon Sei in this rooftop tent design! We are excited for you to experience the light weight, Aspen Lite!

You have asked us to be innovative, to provide the best quality, to provide great customer service, and to keep creating products that *Elevate Your Adventure* so stay in touch with us!

Follow us on social media and on our website, www.gofsr.com.
Have questions for us?
Reach out, we are here to help!
sales@gofsr.com

Oh, and because we have to put this in here...
PLEASE REVIEW THIS INSTRUCTION MANUAL BEFORE USING
YOUR ASPEN LITE OR ASPEN LITE XL.

From our Freespirit family to you, ***THANK YOU*** for your purchase.
We hope that it really will *Elevate Your Adventure!*



Tanner Tewes, Co-President
Ben Tewes, Co-President
Kristine Sewell, FSR Corporate
Renee Tewes, FSR Corporate

TABLE OF CONTENTS:

PRODUCT OVERVIEW (PAGE 4)

PRODUCT SPECIFICATIONS AND FRAME (PAGE 5-7)

**INSTALLING YOUR ASPEN LITE OR ASPEN LITE XL ROOFTOP
TENT (PAGE 8-11)**

INCLUDED TOOLS (PAGE 11)

SETTING IT UP (PAGE 12-13)

TEARING IT DOWN (PAGE 14-15)

LED LIGHT CONTROLS (PAGE 16)

GENERAL MAINTENANCE AND STORING (PAGE 16)

TROUBLE SHOOTING AND SAFETY INFORMATION (PAGE 17-19)

**IMPORTANT INFORMATION, WARRANTY, AND CONTACT
INFORMATION (PAGE 20)**

PRODUCT OVERVIEW:

The Aspen Lite rooftop tent is the perfect solution for adventurers who want the convenience of a rooftop tent but don't want to carry the extra weight. Weighing in at just 110 pounds, this tent is easy to install and is the perfect size for two adults. Its quick deployment system ensures that your rooftop tent is set up and ready in seconds not minutes.

Enhanced with the FSR Tri-Layer fabric on the windows and doors the Aspen Lite allows for a true multi-season and waterproof camping experience. The interior fabric has PVC coating PU5000mm, making it water repellent. This fabric along with the extruded aluminum frame construction keeps you warm and dry in any weather. This tent includes two large windows and a large entry door making it easy to get in and out from any side.

The Aspen Lite rooftop tent also includes our self-inflating [Aircore mattress](#), which allows you to pick your desired firmness or softness, allowing for a comfortable and relaxing night's sleep. The telescoping ladder gives you the ability to make the ladder shorter or longer based on your vehicle set-up. The shoe bags on the outside of the tent and the big, oversized storage compartments inside the tent give you plenty of storage solutions.

Whether you are camping in the backcountry or just stopping for a quick rest, the Aspen Lite is sure to provide you with comfortable, safe, and restful camping experience.

We specifically designed this rooftop tent to be light in weight, so at FSR, we describe the Aspen Lite as a hybrid style hardshell rooftop tent, it has an extruded aluminum frame with a heavy-duty 600D Oxford fabric on top that creates the sleek flat look on the top shell.

As of November 2023, we do not recommend mounting crossbars and storing gear on top of the Aspen Lite. In true FSR *innovative* fashion, stay tuned, we are working on potential crossbar and storage solutions for the Aspen Lite!

PRODUCT SPECIFICATIONS:

ASPEN LITE DIMENSIONS:

Exterior Closed Dimensions	7.5"h X 49"w X 80.5"l
Exterior Open Dimension	64"h X 49"w X 80.5"l
Interior Height	60"
Mounting Rails (Center to Center)	30.5"
Mounting Rails (center to center 2nd holes)	23.5"
Mounting Rails Length	75.5"
Mounting Rails Width	1.8"
Interior Dimensions	45"w X 78.5"l
Front Door Dimensions	35"w X 34"h
Side Door Dimensions	39"w X 44"h
Head Pocket dimensions	12" top, 7" Bottom, 10" sides.
Roof Pocket Grid Dimensions	11"x9" Four Outer Pockets, 12"x9" Center Pockets
Mattress size When Deflated	2"h X 45.75"w X 73"l
Mattress size When Inflated	3"h X 45.75"w X 78.5"l
Room Inside for Gear	3" with deflated mattress
Length of side channels	71.5"
Weight	100 lbs
Weight Capacity	750 lbs
Tri Layer Material Doors & Window	3 Layers of 150D Poly-Oxford with 90g/M2 Poly-fil
Mounting Bracket Size	1.2"w X 7"l X .75" deep (Fits up to 3" bar)
Mounting Bolt Length	M8 - 1.25mm X 2"l

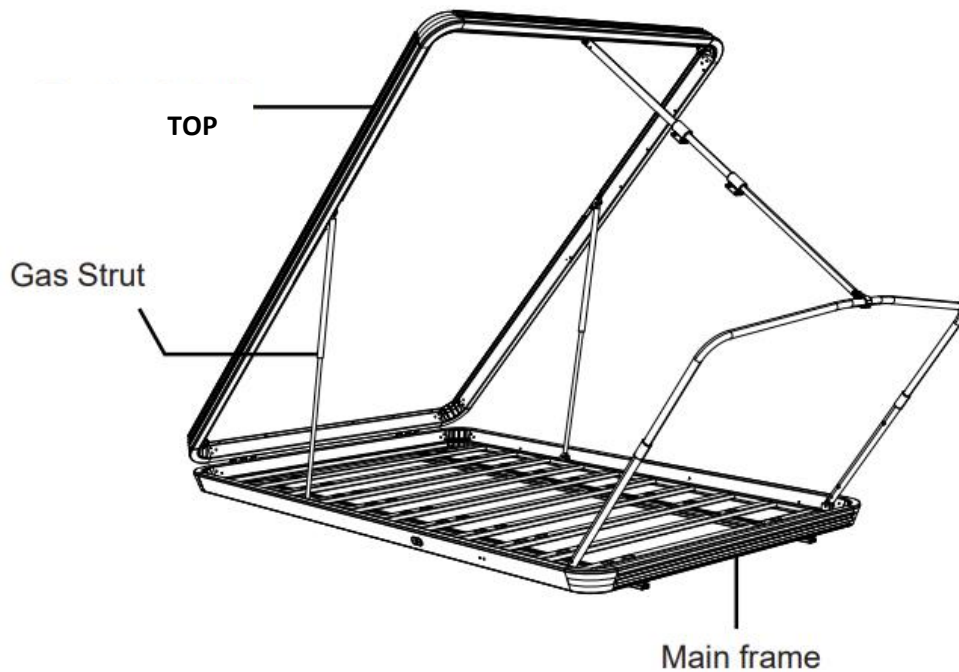
Carrying Capacity When Closed	None
Carrying Capacity When Open	None
Gas Strut Rating	300N
Ladder Height Open	97.5"
Ladder Height Collapsed	30"
Ladder Width	19"

ASPEN LITE XL DIMENSIONS:

Exterior Closed Dimensions	7.5"h X 58"w X 80.5"l
Exterior Open Dimension	64"h X 58"w X 80.5"l
Interior Height	60"
Mounting Rails (Center to Center)	30.5"
Mounting Rails (Center to Center 2nd holes)	23.5"
Mounting Rails Length	75.5"
Mounting Rails Width	1.8"
Interior Dimensions	52.5"w X 78.5"l
Front Door Dimensions	35"w X 34"h
Side Door Dimensions	39"w X 44"h
Head Pocket Dimensions	12" top, 7" Bottom, 10" sides.
Roof Pocket Grid Dimensions	11"x9" Four Outer Pockets, 12"x9" Center Pockets
Mattress size When Deflated	2"h X 52"w X 73"l
Mattress size When Inflated	3"h X 52"w X 78.5"l
Room Inside for Gear	3" with deflated mattress
Length of Side Channels	71.5"

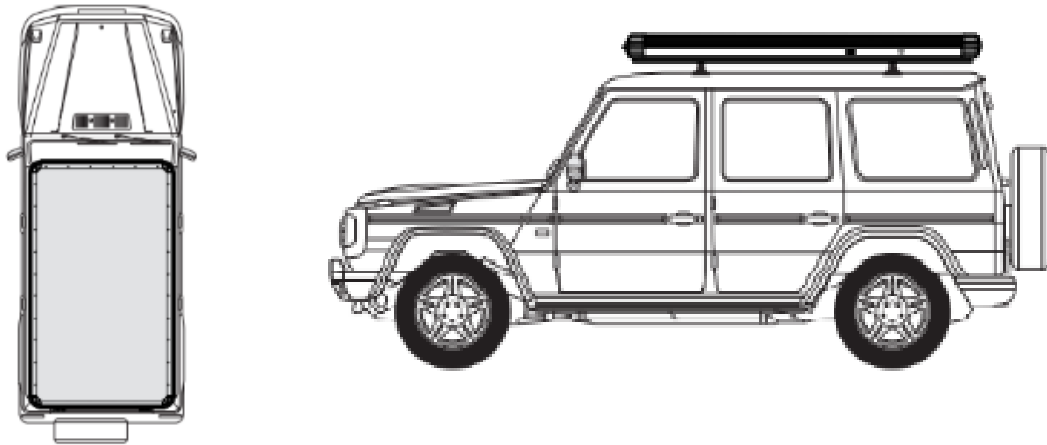
Weight	110 lbs
Weight Capacity	750 lbs
Tri Layer Material Doors & Window	3 Layers of 150D Poly-Oxford with 90g/M2 Poly-fil
Mounting Bracket Size	1.2"w X 7"l X .75" deep (Fits up to 3" bar)
Mounting Bolt Length	M8 - 1.25mm X 2"l
Carrying Capacity When Closed	None
Carrying Capacity When Open	None
Gas Strut Rating	300N
Ladder Height Open	97.5"
Ladder Height Collapsed	30"
Ladder Width	19"

Product Frame:



INSTALLING THE ASPEN LITE ROOFTOP TENT:

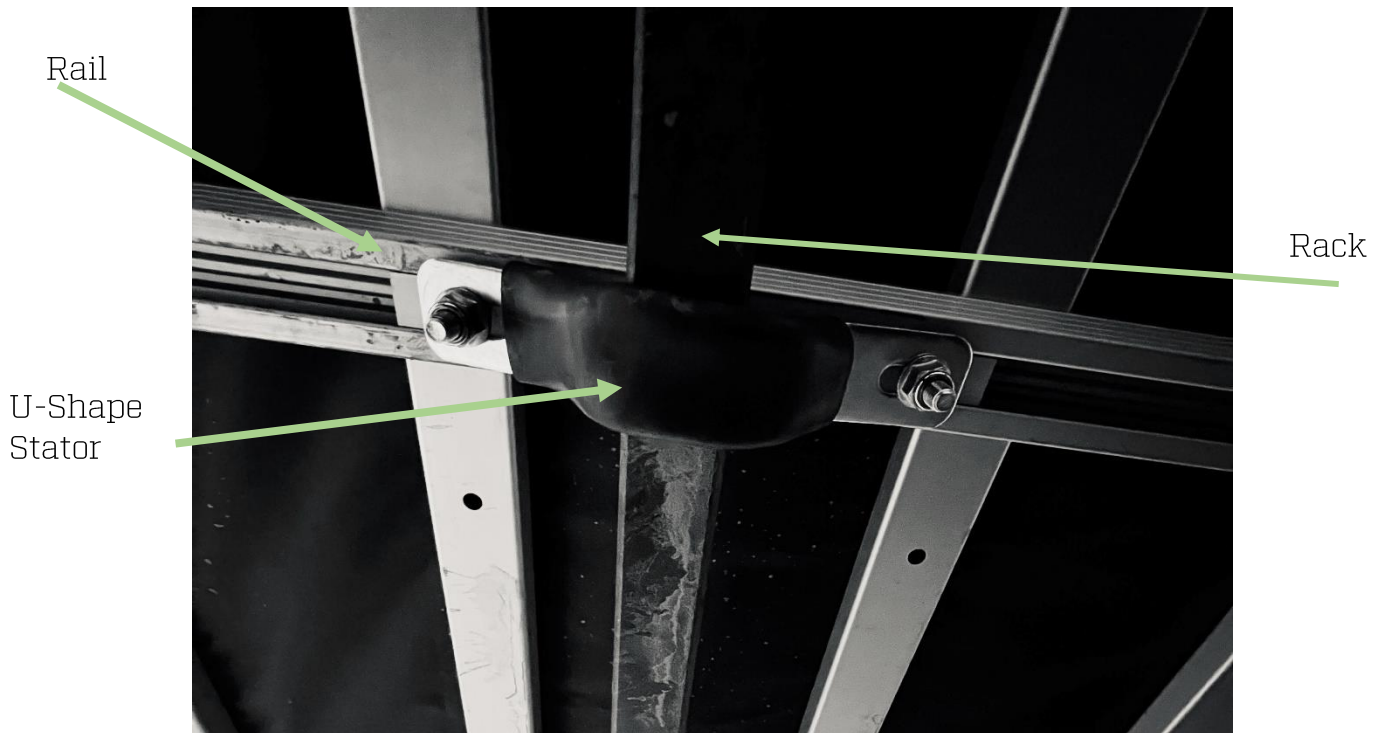
1. Install your roof rack per the manufacturer's instructions and in the load bearing position on the vehicle. Lift your rooftop tent onto the roof rack.



2. Prepare your mounting hardware by taking the t-headed square bolt, slide it through the plate so that it sits flat. Then take one of the big washers and the lock nuts and place them on the end of the bolt. You will then take the wrench or battery-operated drill and tighten the lock nut so it is about a half an inch away from the bottom of the flat plate (please see picture below).



3. Remove your rubber end caps. Slide the M8x50 hexagon bolts into the rails from both sides ensuring you have positioned 8 of them. Lastly, fix the u-shaped rubber mounting bracket. Important Note: You will need four bolts, two on each track inside the span of the crossbars to properly install the u-shaped rubber mounting bracket.



4. Install the Ladder:



5. Adjust the tent to the center of the roof, ensuring that if your vehicle has a rear door, it can be opened and closed.
6. After about 50 miles or so after installation, stop and check the mounting hardware to ensure that you have tightened it enough and that it has remained tight.

Tools Included:

*Please note that you will find the mounting hardware and toolkit in one of the shoe bags or laying on the mattress when you open the rooftop tent.

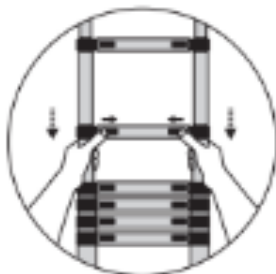


SETTING UP THE ASPEN LITE ROOFTOP TENT:

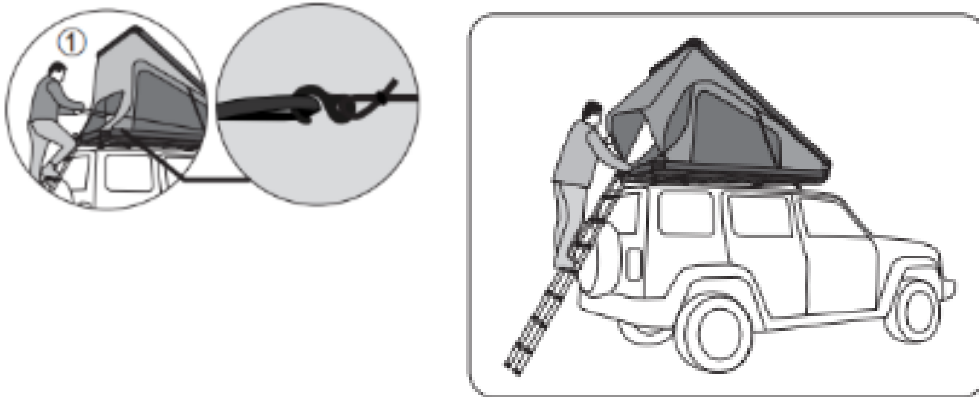
1. Release all latches around the rooftop tent.
2. Hook the telescoping ladder to the base of the rooftop tent and extend outward.
3. Push the top of the rooftop tent up to engage the gas strut assist.



4. To extend the telescoping ladder to the desired length, fully extend the ladder and then begin to work from the top closest to the tent downward, leaving two steps connected at the very top. Push in and then down on each step of the ladder as shown below.



- When the ladder is fully extended, the base of your ladder should be no more than two to three feet away from the vehicle. This is the optimal angle for the ladder to perform to manufacturers specifications.
- Release the elastic rope that hooks on two sides (see picture #1)



- Unzip the rainfly ceiling fabric to expose the dual tension pole. Carefully stretch each side and lock each clasp when proper tension has been achieved.



- Check that all straps and buckles to ensure they are tight and snug before use. The Aspen Lite Rooftop Tent set-up is complete!

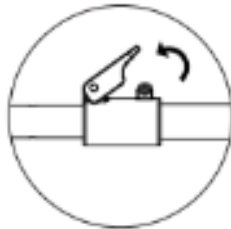


TEARING DOWN THE ASPEN LITE ROOFTOP TENT:

1. Close the windows, leaving a small opening in the zipper to let air out when you fold the fabric in and close the top of the rooftop tent.



2. Unzip the rainfly ceiling fabric and unlock both clasps on the tension pole.



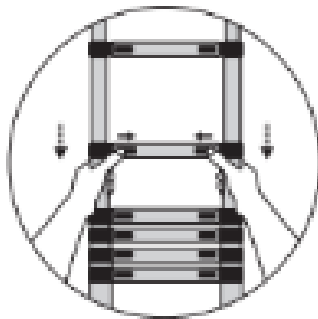
3. Lower the front u-pole so it lays flat on the mattress.



4. Zip up the front door, 2/3 of the way (shown in picture #1). Tuck the shoe bags and tri-layer fabric inside (shown in picture #2), push over the front u-pole (shown in picture #3), and then pull down the top of the rooftop tent.



5. Remove the telescoping ladder and store it in your car.

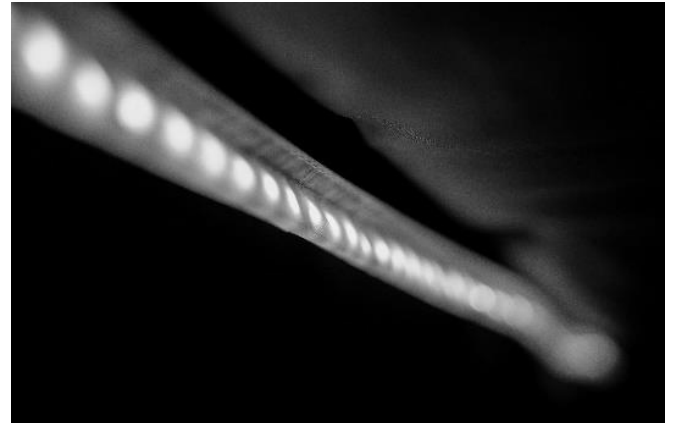


6. Lock down all latches around the rooftop tent making tear down complete. Check all mounting hardware and hand check for tightness for before hitting the road!



LED LIGHT CONTROLS:

1. Requires USB adapter, Battery pack required.
2. Press button to power on.
3. Press up or down to dim the lights.



GENERAL MAINTENANCE:

1. Before you pack up the tent, please make sure the fabric is dry. A microfiber towel works great with cleaning products.
2. Make sure all your fabric is tucked away properly and free from any snags.
3. Double check that your latches are closed before traveling.
4. Always check your mounting hardware before traveling to ensure it is tight.

STORING YOUR ROOFTOP TENT:

1. If you choose to leave your rooftop tent on top of your car for long periods of time and especially during times of extreme weather conditions, please use the provided cover to ensure proper care of your equipment.
2. If you choose to remove your rooftop tent for the winter season, please use the protective cover provided when it was shipped to you to add a little more protection to the outside of your tent. We recommend that you store your tent on a flat surface just like it came out of your car.

TROUBLESHOOTING TIPS IF NEEDED:

1. If the gas strut assists do not work correctly.

+If you are experiencing slow gas struts, you may have air trapped inside your tent creating a vacuum. Leave your windows cracked, this will let the air escape when opening and closing.

+Check to see if the pole for the gas strut assist is covered by any fabric.

+Check to see if there is any air leaking from the gas strut assist. If there is a leakage, it needs to be replaced.

+If you have exceeded the weight capacity of the struts by storing equipment on your rooftop tent the struts will not operate correctly.

2. If your tent is misaligned.

+Per manufacturing specifications, there is 1 centimeter of variability in the frame alignment due to the gas struts and the light weight frame.

3. Inflate and Deflate your air-core mattress.

+If you are having trouble manually inflating or deflating your air core mattress, make sure these steps are followed.

+Open both valve screw caps to check orientation.

+Check the internal yellow plugs. You will have one plug with a nipple facing out, you will have one plug with the nipple facing inside the Aircore.

+Inflating is used on the plug with the yellow nipple facing out while the other valve is closed.

+Deflating is used on the plug with the yellow nipple facing inward while the other valve is closed.

4. Using power to inflate and deflate your mattress (not required)

+ Recommended Product:

https://www.amazon.com/Electric-Portable-Quick-Fill-Inflator-Inflatable/dp/B074NZY3SQ/ref=sr_1_4_sspa?crd=2LLUT4JXI1NSQ&keywords=air+mattress+pump+rechargeable&qid=1675713846&srefix=air+mattress+pump+re%2Caps%2C139&sr=8-4-spons&psc=1&smid=A1155GBV4DPEXU&spLa=ZW5jcnlwdG VkUXVhbGhmaWVyPUEyQlBaNEtSQ1JLSjdYJmVuY3J5cH

[RIZElkPUEwNDQzMzEyMlVWNUYyNzJHOU5NWCZlbnNy
eXBOZWRBZElkPUEwNzY3Mzc1MORVUTY3NkRBV0FJWS
Z3aWRnZXROYW1lPwX2F0ZiZhY3Rpb249Y2xpY2tSZ
WRpcmVjdCZkb05vdExvZ0NsaWNrPXRydWU=](https://www.gofsr.com/faq/rooftop-tent-assembly)

+Use the side nozzle to inflate your tent by placing the round portion over the yellow valve (yellow nipple facing out)

+Use the top nozzle to deflate your mattress by placing the round portion over the yellow valve (Yellow nipple facing inward).

5. Troubleshooting your tent clasps.

+Your tent clasps are adjustable to accommodate closing your tent. If you wish to lock in the adjustability, please replace the nut with a Nylock nut. M6

6. When extending the rainfly pole, make sure that the rainfly straps are loose enough to where the u-pole to fully extend in place.

7. When closing the rooftop tent, make sure to tuck in all fabric, tucking in the fabric is required to have a low-profile rooftop tent.

8. For further questions or troubleshooting, please check out the Freespirit Recreation [YouTube channel](#) for helpful tips and tricks for your Aspen Lite Rooftop Tent.

SAFETY INFORMATION:

1. When your rooftop tent is installed on your vehicle, please follow all posted speed limits and do not exceed them.
2. When leaving for your next adventure and at regular intervals along your journey, please check to ensure the mounting hardware is tight and did not loosen over time or with various road conditions.
3. Please do not use your rooftop tent if there is visible damage to any part or it's components. Please contact our team at customerservice@gofsr.com for replacement parts or advice on repair options.
4. Serious injury and accidents can occur with loads and roof racks that are installed incorrectly.

5. Please make sure that you are observing your vehicle height, road conditions, and weather when rooftop tent is mounted on your vehicle (ex. Wind, Rain, Braking Behavior, etc).
6. Always consult your vehicle owner's manual and roof rack manufacturers manuals and follow their instructions and advice. Please always carry these along with your rooftop tent instruction manual with safety information.
7. Do not use bleach, alcohol based, or ammonia-based cleaning products on your rooftop tent, this will cause damage and is not covered under warranty.
8. Please note the following with using your rooftop tent:
 - a. Your vehicle height will increase when roof rack and rooftop tent are installed, please be aware when going in parking garages, low entrances, carwashes, low hanging branches, running into them or going into them and damaging the rooftop tent is not covered under warranty.
 - b. Wind noise may be generated when travelling with a rooftop tent on a roof rack.
 - c. Follow all operating instructions for your vehicle and your roof rack.
 - d. Remove the rooftop tent and store inside when it is not in use to ensure it is kept in the best condition possible.
 - e. Your rooftop tent should be mounted parallel to the line of the road and not at an angle.
9. Never have fire or flames in or near your rooftop tent.
10. When climbing in and out of your rooftop tent, use caution when using the ladder. Never allow children to use the ladder alone. Make sure that the ladder mounts are in good condition and contact us at customerservice@gofsr.com to purchase replacement parts.

IMPORTANT INFORMATION:

Freespirit Recreation and our manufacturers are not liable for use or misuse of this rooftop tents or any of our other products. We are not liable for any damage or accidents that occur as a result of non-compliance with these usage instructions and basic common sense. Any modifications made to any parts, or the entirety of this rooftop tent are not covered under warranty and we are not liable for any injury or damage that could occur because these modifications were made. The warnings, cautions, and instructions in this document can cover most situations so it is understood that the rooftop tent owner and operator will use common sense and caution when using this product. It is your responsibility to pass these instructions on to any third party who borrows or uses this rooftop tent, including any secondhand sales.

WARRANTY INFORMATION:

Freespirit Recreation and our manufacturers cover proven manufacturing defects for two years after purchase. It is only valid if the instructions and recommendations in this instruction manual are adhered to and only applies to the first owner after purchase. Secondhand sales and rooftop tent rentals are not covered under warranty.

FREESPIRIT
— R E C R E A T I O N —
**120 Capital Drive
Golden, CO 80401**

GOFSR.COM

Have Questions? Please reach out to sales@gofsr.com.

#gofsr