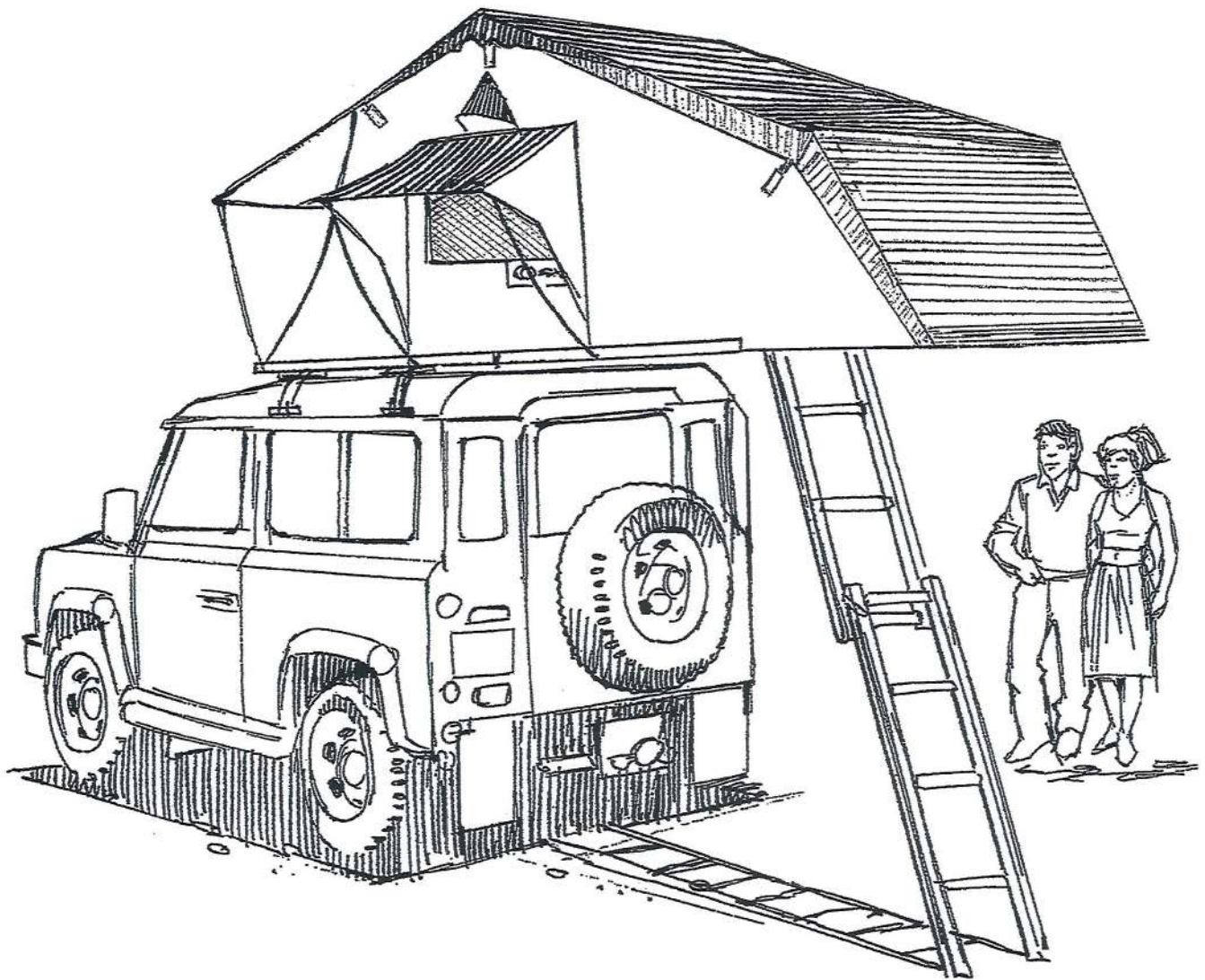




Topklusiv

P.O. Box 68323, Bryanston 2021
200 Cussonia Park, 3 Ridge Road,
Laser Park, Honeydew, South Africa.
Tel: (011) 794-6311 • Fax: (011) 794-6233

OPERATING INSTRUCTIONS



HELPFUL HINTS

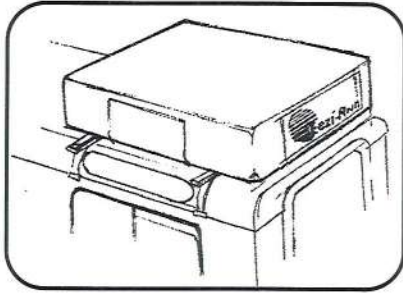
1. Always make sure TENT is dry when stored – away from RATS and MICE.
2. Do not wash TENT with detergent. ONLY wipe with CLEAN CLOTH.



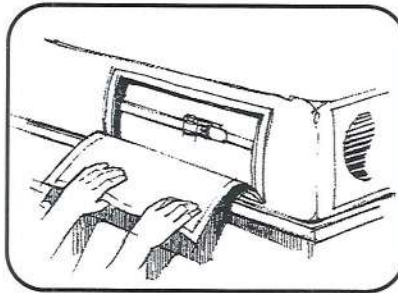
ROOFTENT

OPERATING INSTRUCTIONS - TO OPEN

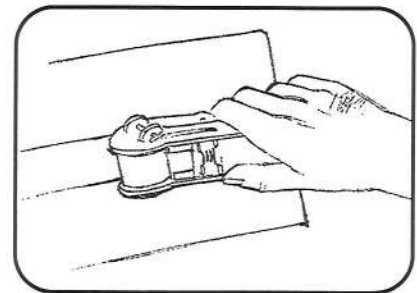
P.O. Box 68323, Bryanston 2021
200 Cussonia Park, 3 Ridge Road,
Laser Park, Honeydew, South Africa.
Tel: (011) 794-6311 • Fax: (011) 794-6233



Enclosed rooftop tent with travel cover.

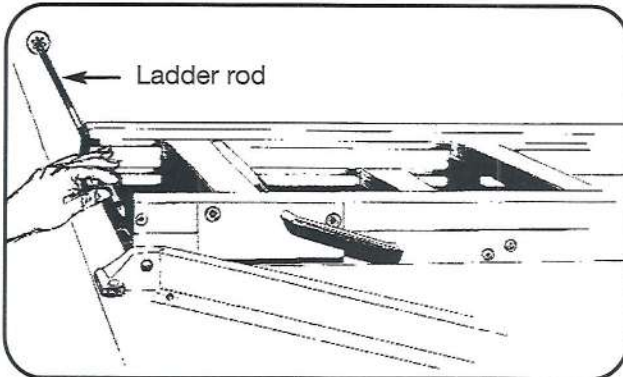


Open flap to access ratchet in order to remove travel cover.

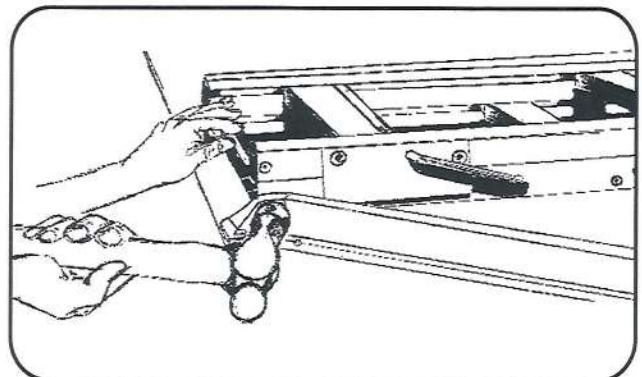


Pull ratchet-head forward to release strap and remove travel cover.

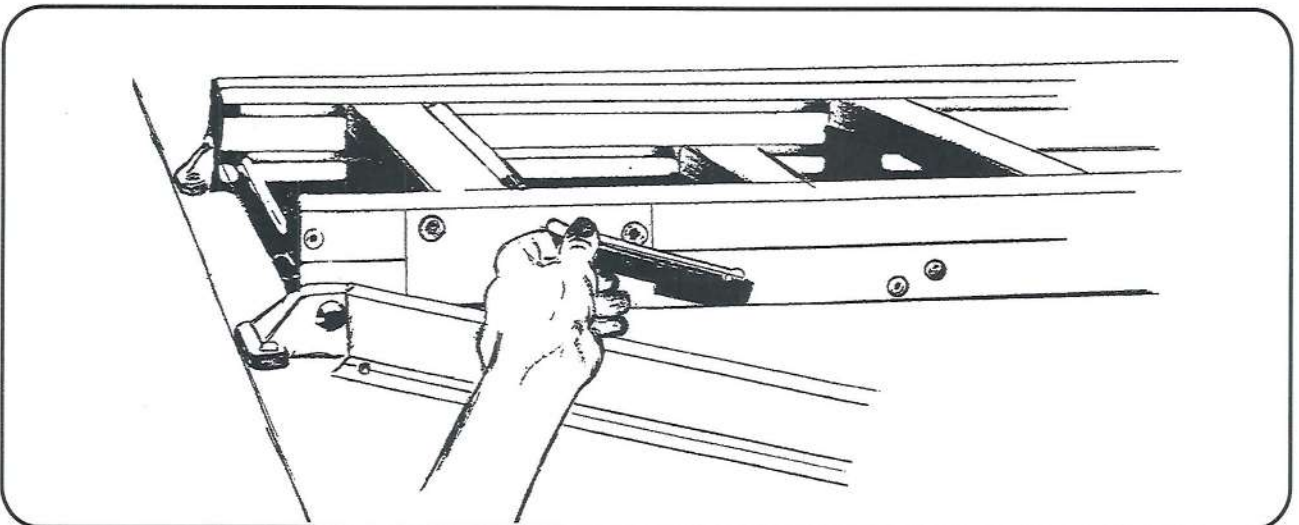
NOTE: Should ladder be separately delivered of rooftop tent, then fit ladder as follows:-



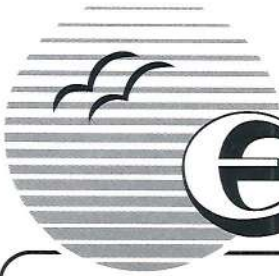
Insert rod through holes of ladder and aluminium castings.



Fix rod by tapping cover-clips to each end.



Unlock ladder and slide upper section to full length, relocate in hole provided and lock.

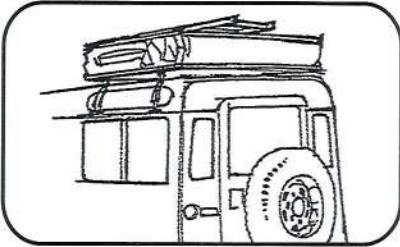


Eezi-Awn

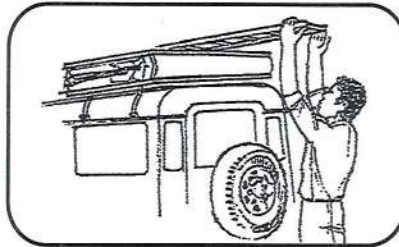
ROOFTENT

P.O. Box 68323, Bryanston 2021
200 Cussonia Park, 3 Ridge Road,
Laser Park, Honeydew, South Africa.
Tel: (011) 794-6311 • Fax: (011) 794-6233

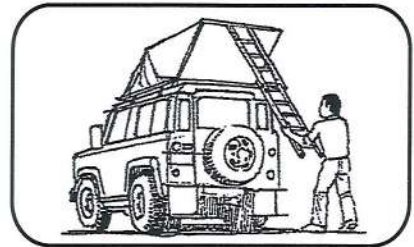
OPERATING INSTRUCTIONS



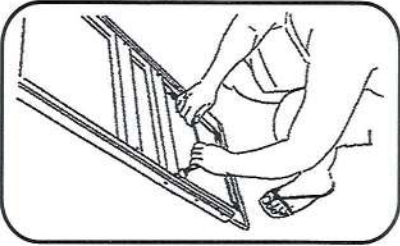
Unlock ladder and slide upper section to full length, relocate in hole provided and lock.



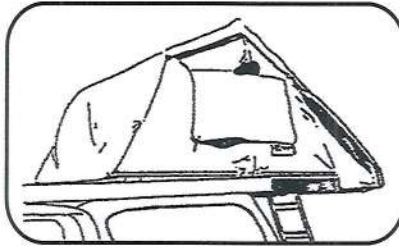
Pull down on fully extended ladder in order to open rooftop tent.



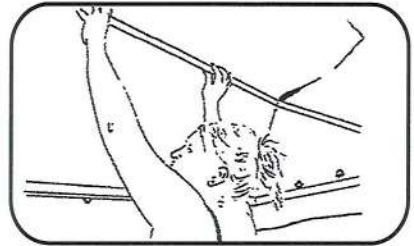
Pull backward to aid unfolding and rest ladder on ground.



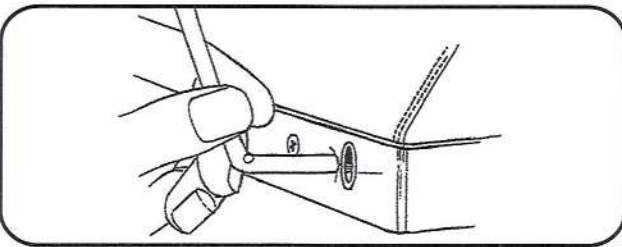
Adjust ladder foot piece to required height by pulling on the rope. Make sure pins are located before climbing up.



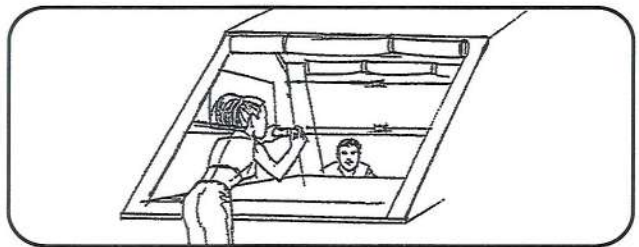
Slide aluminium tube out by undoing black retaining buttons.



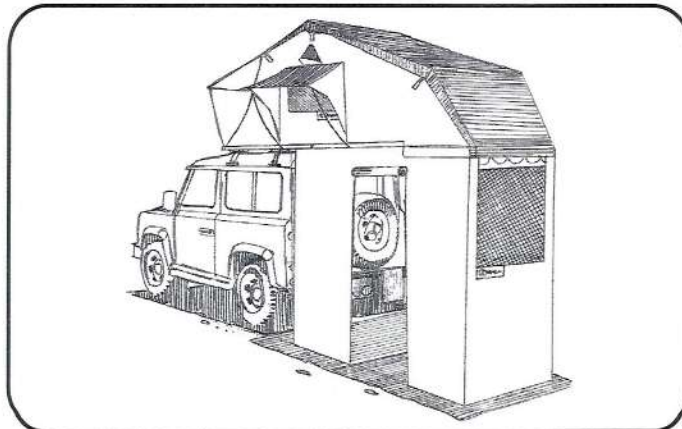
Raise aluminium tube in place for head room, only then tighten black retaining buttons.



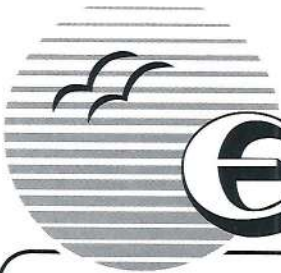
Insert spring steel rods into ferris of rooftop tent base beading, bend rods and fit into eyelets of rooftop side canopies and flysheets.



Undo internal plastic clips to release rooftop tent sidewalls.



The Skirt sides can be hooked into position now. The Rooftent fully set-up and ready to occupy.

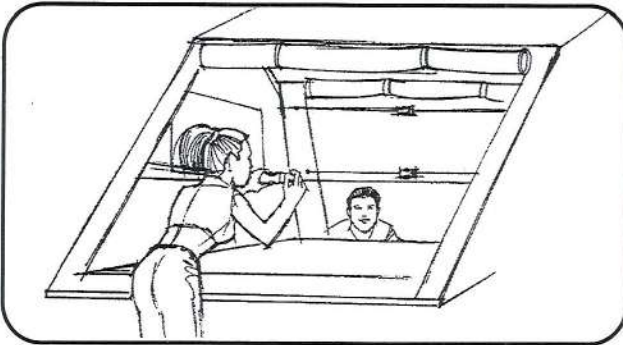


Eezi-Awn

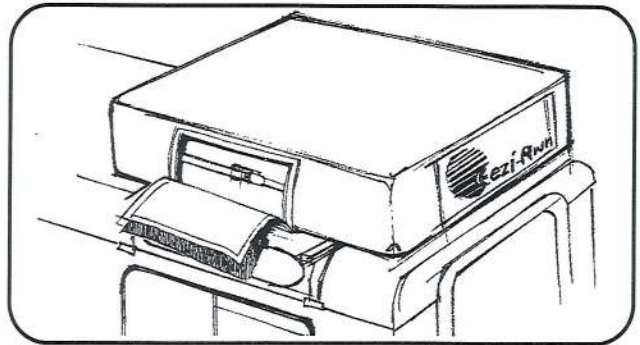
ROOFTENT

OPERATING INSTRUCTIONS - TO CLOSE

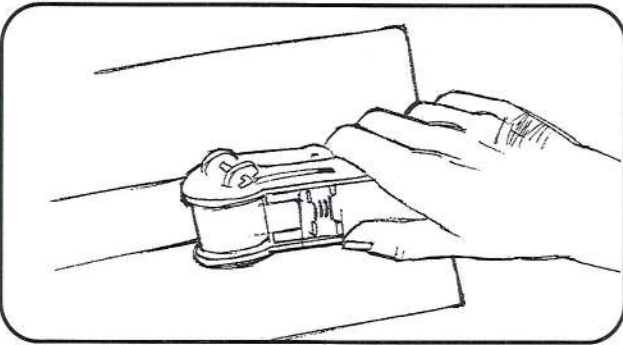
P.O. Box 68323, Bryanston 2021
200 Cussonia Park, 3 Ridge Road,
Laser Park, Honeydew, South Africa.
Tel: (011) 794-6311 • Fax: (011) 794-6233



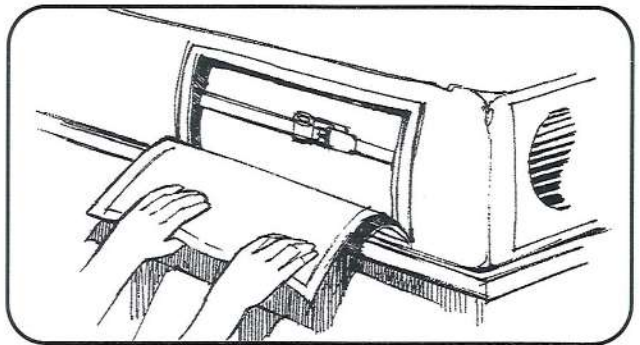
Before closing rooftop, lock plastic clips together to aid folding of rooftop sidewalls.



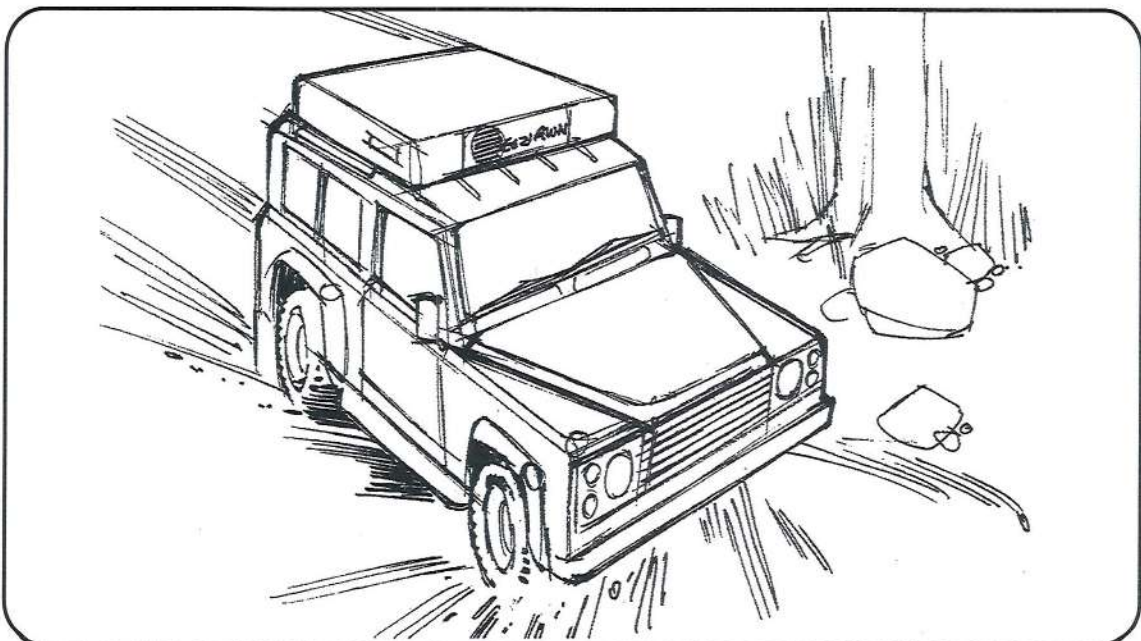
Re-fit travel cover, check that strap is tight across the corners of rooftop base.



Activate ratchet straps to ensure the travel cover is well secured.



Close ratchet and conceal behind rooftop flap.



ON THE ROAD AGAIN!! - ENJOY THE RIDE!!



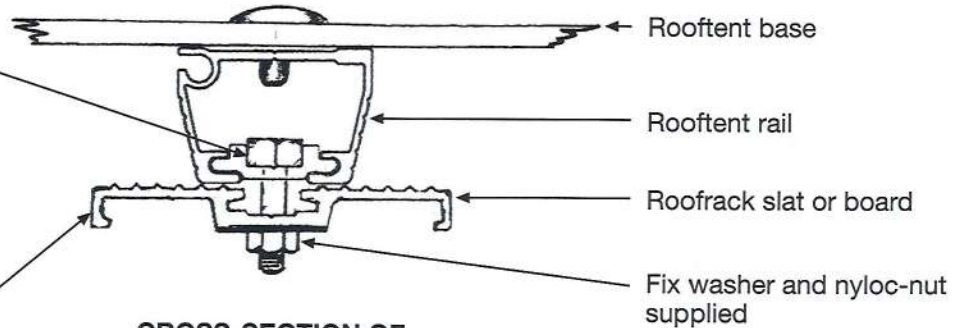
ROOFTENT

P.O. Box 68323, Bryanston 2021
 200 Cussonia Park, 3 Ridge Road,
 Laser Park, Honeydew, South Africa.
 Tel: (011) 794-6311 • Fax: (011) 794-6233

INSTALLATION INSTRUCTIONS

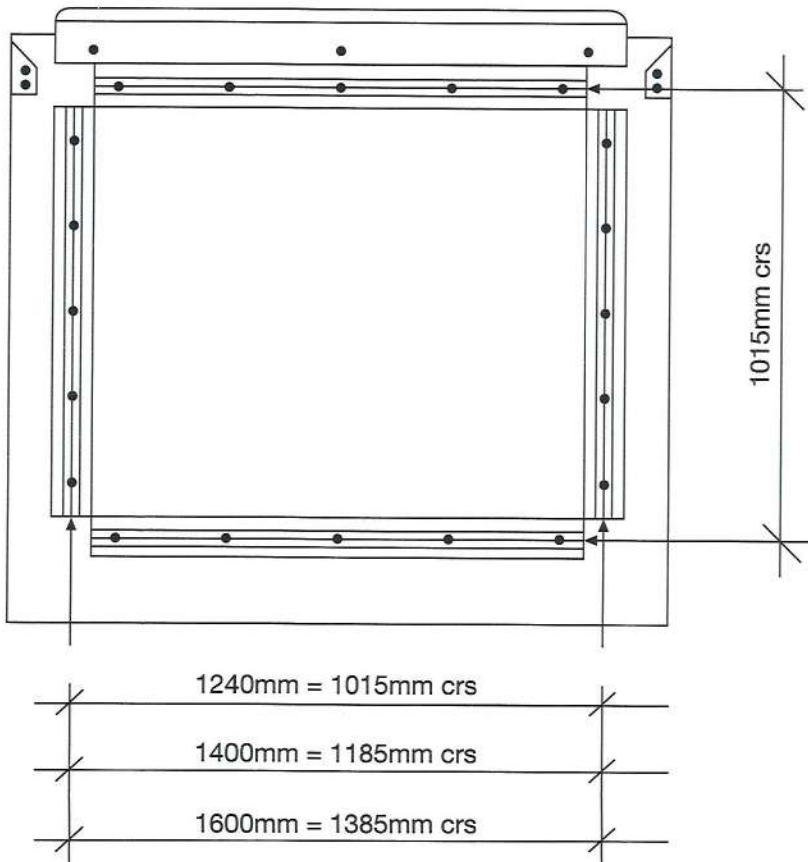
Drop bolt through hole in fixing slide. Insert slide into rail attached to rooftop base.

Drill hole through roofrack slat or board to accommodate bolt, washer and nyloc-nut supplied.



**CROSS-SECTION OF
 INSTALLATION
 ROOFTENT TO ROOFRAK**

PLAN VIEW ROOFTENT BASE RAIL CENTRES



OPTIONAL EXTRAS TO FIT ROOFTENTS

Gutterless rail system to fit rooftents to vehicles without gutters.

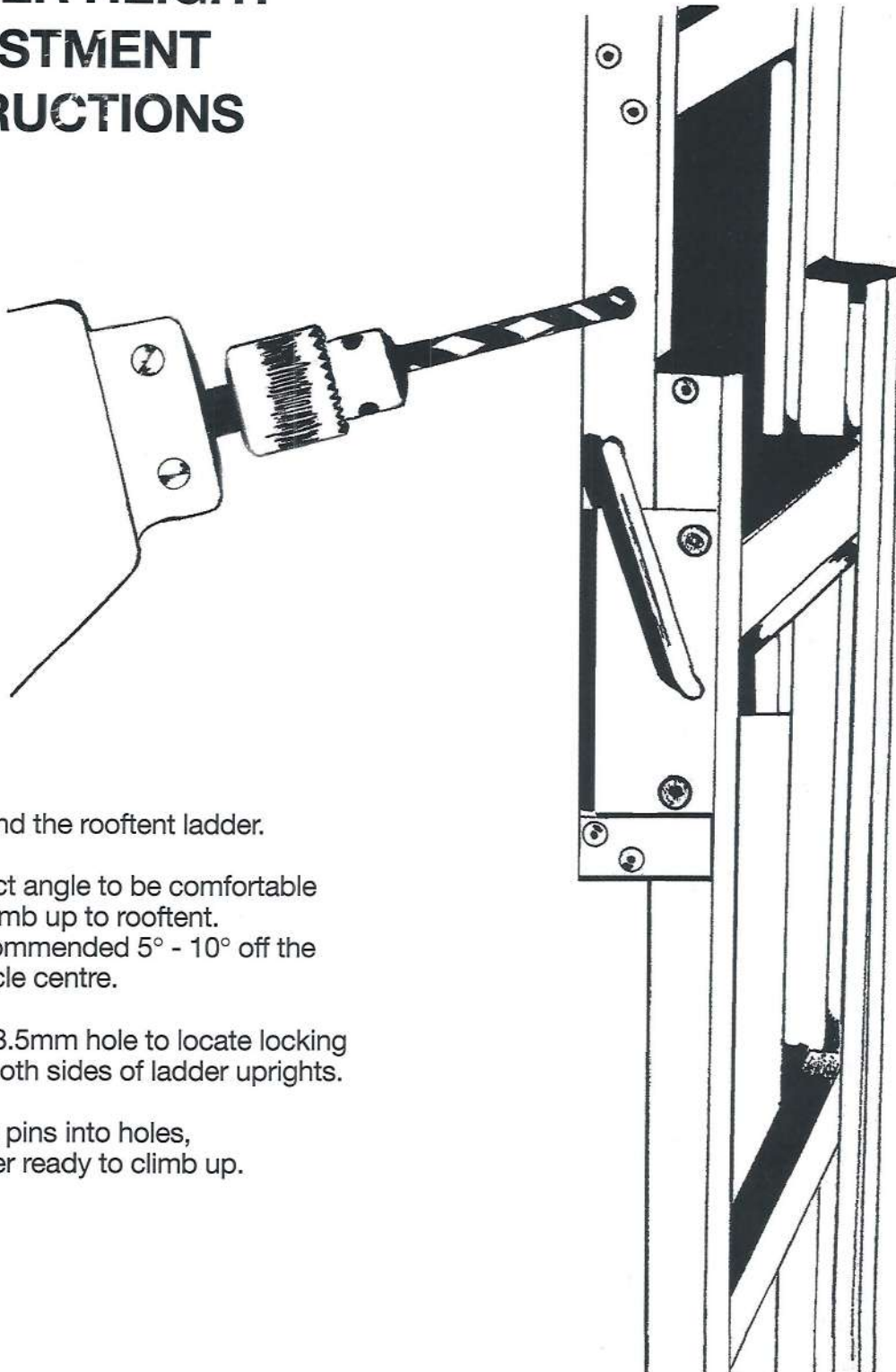
Loadbars to fit rooftents onto vehicles with gutters.

Loadbars to fit rooftop tent onto roofrack rails.

Bullbar kits for rooftents that are mounted at the front of vehicle roof racks.

P.O. Box 68323, Bryanston 2021
200 Cussonia Park, 3 Ridge Road,
Laser Park, Honeydew, South Africa.
Tel: (011) 794-6311 • Fax: (011) 794-6233

LADDER HEIGHT ADJUSTMENT INSTRUCTIONS



1. Extend the rooftop ladder.
2. Select angle to be comfortable to climb up to rooftop.
Recommended 5° - 10° off the vertical centre.
3. Drill 8.5mm hole to locate locking pin both sides of ladder uprights.
4. Lock pins into holes, ladder ready to climb up.