



To learn more Scan QR code

COMPETITOR SERIES®

C-49RS-HC

SLIDING GLASS DOOR REFRIGERATOR

- Beautiful ergonomic construction
- Digital temperature controller & read-out
- White powder coated steel exterior and interior
- Forced-air refrigeration system
- Bottom mount compressor
- Recessed door handles
- LED interior lighting
- Bright lighted top display sign
- Low-E, dual pane glass**
- Heavy duty ABS extruded door frame
- Pre-installed casters and shelving
- Hold open door feature for loading products
- All Natural R290 Hydrocarbon Refrigerant
- US Department of Energy Certified
- Migali® Protection Plan: 2 Year Parts & Labor Warranty, 5 Years Compressor
- Air Pressure Relief Valve for ease of opening doors

MODEL	DOORS	CAPACITY CU/FT	SHELVES	H/P	AMPS	VOLTAGE	ENERGY CONSUMPTION KWH/24 HR	PLUG TYPE	TEMP RANGE	EXTERIOR DIMENSIONS W X D X H*	INTERIOR DIMENSIONS W X D X H	PACKAGED DIMENSIONS W X D X H	WEIGHT	PACKAGED WEIGHT
C-49RS-HC	2	49	8	1/4+	4.2	115/60/1	4.8	Nema 5-15P	+33° F (-) +41° F	54.4 x 30 x 81.4	50.5 x 25 x 60	57 x 32 x 83	456 lbs.	511 lbs.

* Total height includes 3" casters

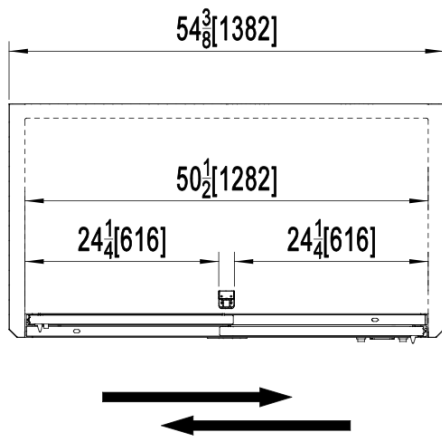
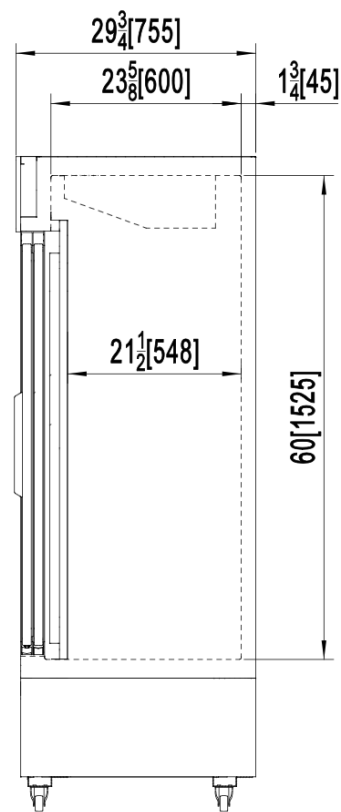
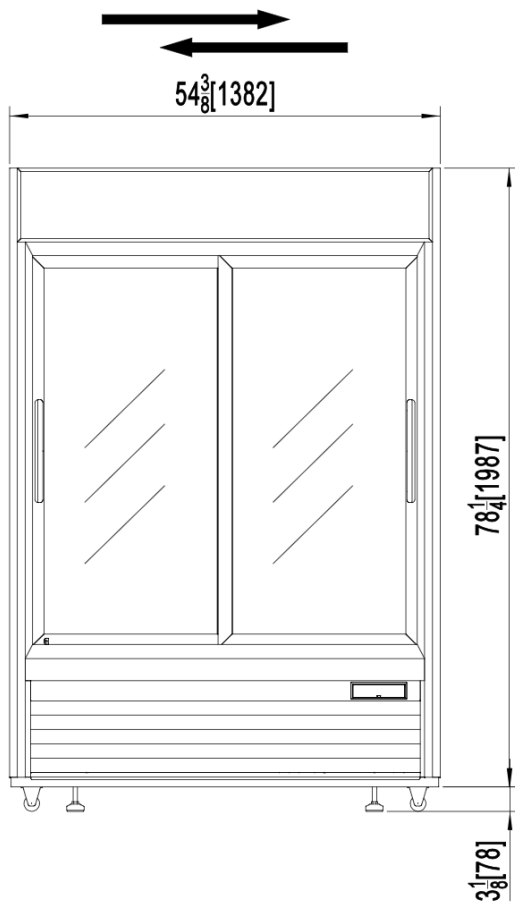
**Glass panels are rated for installation at an altitude of < 2,000 ft.

FOR COMMERCIAL USE ONLY
NOTE: MIGALI® RESERVES THE RIGHT TO CHANGE SPECIFICATIONS WITHOUT NOTICE

TOLL FREE: 800.852.5292
WEB: www.migali.com


DIMENSIONAL DRAWINGS

C-49RS-HC



MIGALI® REMAINS AN AMERICAN FAMILY COMPANY SINCE 1955