



SERVING THE FOOD INDUSTRY SINCE 1951

13-INCH MEDIUM-DUTY BELT-DRIVEN SLICER

Item: 13635 Model: MS-IT-0330-L



HIGH HORSEPOWER MOTOR WITH DEPENDABLE BELT DRIVE

Omcan's 13-inch medium-duty belt driven slicer offers high horsepower and dependable drive which allows exceptional cutting of deli meats and vegetables. Suitable for sub shops, supermarkets, and demanding restaurant applications. Easy to disassemble for quick cleaning; easy to operate.



WARRANTY
2 YEARS PARTS &
1 YEAR LABOR



NEMA
5 - 15
125 VAC / 15 AMP



Authorized Dealer

KITCHEN EQUIPMENT

13-INCH MEDIUM-DUTY BELT-DRIVEN SLICER



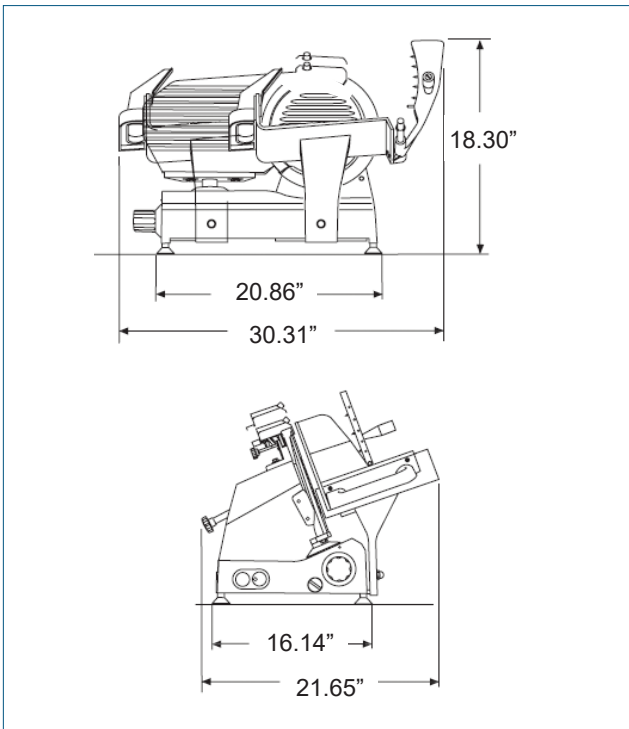
FEATURES

- Anodised aluminium alloy body
- High carbon steel blades are hard chromed, with a hollow ground taper for extended sharpening and blade life
- Offers exceptional cutting consistency and durability
- Carriage moves smoothly on ball bearings allowing effortless cutting of deli meats and vegetables
- Easy to disassemble for quick cleaning
- Perfect for low volume operations

PRODUCT DETAILS

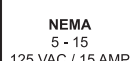


TECHNICAL DRAWINGS AND DIMENSIONS



TECHNICAL SPECIFICATIONS

ITEM NUMBER	13635
MODEL	MS-IT-0330-L
BLADE SIZE	13" / 330 mm
CUT THICKNESS	0 -16 mm
CUTTING SIZE	11.25" x 9.84" 285.75 x 249.9 mm
POWER	0.50 HP / 0.37 kW
CHEESE SLICING*	
SLICING VOLUME*	2 hours
RPM	280
ELECTRICAL	110V / 60Hz / 1Ph
WEIGHT	85 lbs. / 38.64 kg.
GROSS WEIGHT	86 lbs. / 39.09 kg.
DIMENSIONS (WDH)	30.31" x 21.65" x 18.30" 770 x 550 x 465 mm
GROSS DIMENSIONS	28" x 25" x 21" 711 x 635 x 533 mm



*Results may vary due to product consistency and temperature.

OMCAN INC.

Telephone: 1-800-465-0234
 Fax: (905) 607-0234
 Email: sales@omcan.com
 Website: www.omcan.com



Follow us to keep up to date with the latest news and offers

