



CONCORDIA™

BEVERAGE SYSTEMS



Ascent Touch

WHAT EXCEPTIONAL COFFEE TASTES LIKE

With our patented ALPS (Accelerated Low Pressure System) technology, your customers can now savor their favorite brewed coffee the way the roast masters intended: perfectly ground, brewed, and prepared one cup at a time, in under 30 seconds. And no more throwing away batches of brewed coffee - it's fresh in the moment, all day.

Using this technology the Ascent Touch can brew up to two, three, or four distinctly different coffee roasts or varieties from the same machine. The Ascent Touch grinds fresh whole beans to the perfect recipe, and delivers it fast, wherever and whenever your customers want it.

The Ascent Touch can also offer up to 4 cup sizes and carafe sizes if desired.

The 10.1" touchscreen makes it easy for anyone to make the perfect cup of brewed coffee.



THE PROOF IS IN THE CUP.

Up to 4 different varieties of whole beans are ground and brewed for each cup, ensuring you get the best tasting, freshest brewed coffee every time. This model also offers iced coffee.



NO MORE WASTE.

By doing away with the need to pre-brew large volumes of coffee, the Ascent Touch eliminates waste and removes the risk of serving coffee past its prime. You won't ever have to pre-brew large batches of coffee or throw away an old pot again, which reduces cost of goods and improves customer satisfaction.



FEWER PROBLEMS, FASTER SOLUTIONS.

The Ascent Touch features a simple cleaning process that reduces human error and keeps the machine running smoothly. The touchscreen walks you through each step.

Ascent Touch

WHAT IS ALPS BREWING TECHNOLOGY?

In developing the Ascent Touch, Concordia's express goal was to deliver the on-demand Gold Cup brewed coffee experience in a fraction of the time of traditional brewers. The ALPS process brews at pressures much lower than traditional espresso machines. The balance of pressure, flow-characteristics and chamber geometry is critical in creating the drip coffee flavor profile in a fast, on-demand system.

In addition to its speed, the ALPS system uses no filters or other consumables that remove beneficial oils and aromatics from the customer's cup.

The ALPS system is further optimized to provide superior extraction of drip-grind coffee and provide an optional pre-infusion step for flavor refinement.

FEATURES:

- Pours a 16oz. beverage in less than 30 seconds
- Simple daily cleaning and maintenance procedure
- Brew chamber holds up to 40 grams of coffee
- Compact design with minimal footprint
- Pours 4 beverage sizes in addition to carafes
- Carafe sizes range from 24 to 96oz.
- Includes iced coffee settings
- Includes "with room" and "extra room" options
- Can be supplied with two, three or four grinders/hoppers
- Customizable graphics

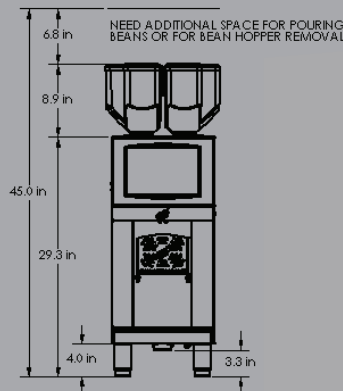
TOTAL FLAVOR FLEXIBILITY WITH ADJUSTABLE FUNCTIONS:

- Grind volume
- Grind size
- Water volume
- Water temperature
- Brewing contact time
- Accommodates popular cup sizes, carafes, and carriers

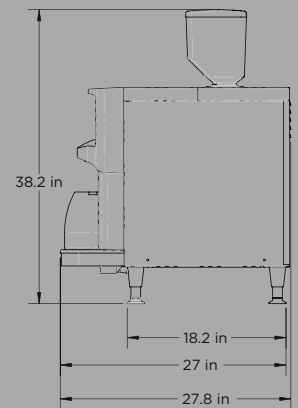
SPECIFICATIONS:

Dimensions	12.5in W x 27.8in D X 38.2in H
Weight	125lbs net/57kg net
Electric	208VAC, 30Amp dedicated circuit
Water	Min 25psi, Max 100psi 25gal per/hr flow
Drain	3/4in indirect drain

FRONT VIEW:



LEFT SIDE VIEW:



Note: Please refer to the installation checklist for more detailed information on installation requirements.

PRECISION ENGINEERING MEETS PURE COFFEE OBSESSION

Here in the Northwest, we're known for a couple of things: innovative technology and an enthusiasm for coffee that borders on obsession. Try one of our machines. You'll see our passion for coffee and innovation in their reliability and simplicity, and of course, the great taste of a Concordia-brewed beverage.

1 800 995 9019 concordiacoffee.com

