



14" Gear Slicer
AX-S14GiX



AXIS 14" Gear Slicer

Standard Features

- High performance gear drive with sealed work gear box
- Chromium-plated forged carbon steel blade
- Aluminum alloy construction with rounded design, no sharp edges or visible screws
- Chrome plated and ground slide rod
- Vulcanized rubber stops on carriage
- Removable support cover for thickness gauge plate
- Safety hand guard and large receiving tray
- Permanent knife ring guard protects non-cutting side of the blade
- Overcurrent protection
- Stainless steel slice deflector with bayonet fitting
- Stainless steel screws and fittings
- Wide 49.5 mm distance between blade and body for easy cleaning
- Bottom cover
- Built in dual action, two-stone sharpening tool with bottom protection
- Standard blade removal tool
- 35° blade inclination with variable slice thickness up to 1"
- Plastic knobs

Axis is a registered trademark of MVP Group Corp.



3560 NW 56th Street
Fort Lauderdale, FL, United States 33309
Telephone: 786.600.4687 / Toll Free: 844.218.8477
Fax: 786.661.4100

5659 Royalmount Ave.
Montreal, QC, Canada H4P 2P9
Telephone: 514.737.9701 / Toll Free: 888.275.4538
Fax: 514.342.3854 / Toll Free: 877.453.8832
sales@mvpgroupcorp.com / mvpgroupcorp.com

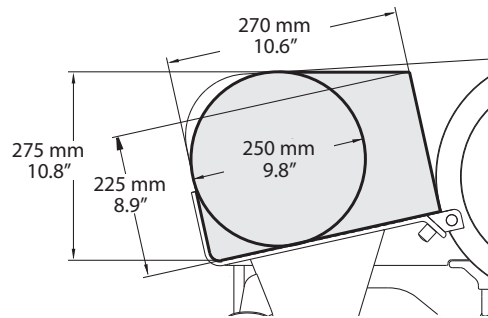
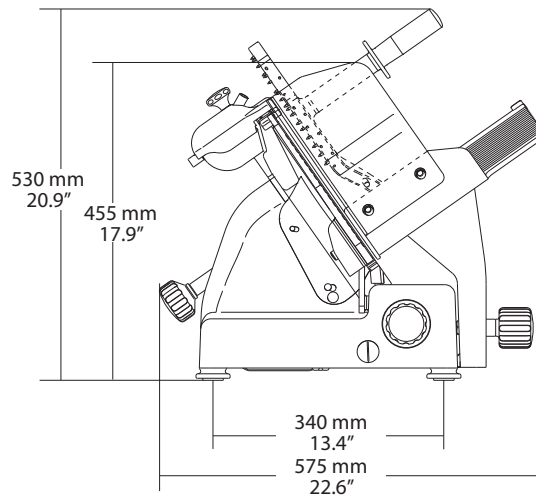
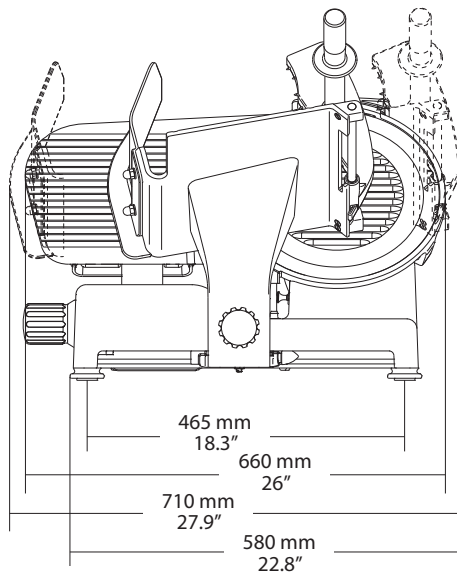




**14" Gear Slicer
AX-S14GiX**

AX-S14GiX

AXIS
14" Gear Slicer



Model	Blade Size	Cutting Size	Max Cut Thickness	Motor	Product Dimensions	Shipping Dimensions	Unit Weight	Ship Weight
AX-S14GiX	14" 350 mm	12" x 10.6" 305 x 270 mm	1" 23 mm	1/2 HP 410 W	27.9" x 30" x 20.9" 710 x 575 x 530 mm	29.9" x 25.2" x 29.9" 760 x 640 x 760 mm	87.1 lbs 39.5 kg	112 lbs 50.7 kg

Due to continuing product development, to ensure the best possible performance, the specifications are subject to change without prior notice.

Axis is a registered trademark of MVP Group Corp.



3560 NW 56th Street
Fort Lauderdale, FL, United States 33309
Telephone: 786.600.4687 / Toll Free: 844.218.8477
Fax: 786.661.4100

5659 Royalmount Ave.
Montreal, QC, Canada H4P 2P9
Telephone: 514.737.9701 / Toll Free: 888.275.4538
Fax: 514.342.3854 / Toll Free: 877.453.8832
sales@mvpgroupcorp.com / mvpgroupcorp.com