

COMPETITOR SERIES®

C-CO1-NG/LP

**(2) C-CO1-NG/LP
Stacked**

CONVECTION OVENS

- Stainless steel exterior and enamel interior with coved corners for easy cleaning
- 50/50 dependent doors with double pane thermal tempered glass
- Size accommodates five 18" x 26" standard full-size baking pans left to right or front to back
- Solid state digital controller with "Hold" cooking temperature feature
- Temperature range: 150°F to 500°F
- Interior oven light standard
- 46,000 BTU's per oven
- Dual speed-fan with an adjustable cooling mode, (5) nickel plated oven racks on 13-position rack guides
- Fan delay switch when doors are opened
- Electronic spark ignition with an automatic pilot system
- Safety shut off switch
- 3/4" NPT rear gas connection and regulator
- Nema 5-15 plug for controller
- Migali Industries® Protection Plan: 1 Year Parts & Labor Warranty

MODEL	BURNERS	GAS SPECS	SHELVES	RACK GUIDES	VOLTAGE	TOTAL BTU	BTU PER BURNER	INTAKE-TUBE PRESSURE (N.W.C.)	AMPS	EXTERIOR DIMENSIONS W X D X H	INTERIOR DIMENSIONS W X D X H	PACKAGING DIMENSIONS W X D X H	WEIGHT	PACKAGED WEIGHT
C-CO1-NG	2	NG	5	13	115/60/1	46,000	23,000	5	9.0	38.2 x 48.6 x 59.4	29 x 24 x 27.7	41.4 x 52.4 x 41.5	487 lbs.	615 lbs.
C-CO1-LP	2	LP	5	13	115/60/1	46,000	23,000	5	9.0	38.2 x 48.6 x 59.4	29 x 24 x 27.7	41.4 x 52.4 x 41.5	487 lbs.	615 lbs.

Optional: Kit to Double Stack Ovens, Part # 1759-1586

NOTE: Altitudes over 2,000 feet may need high latitude orifice adjustments to deliver BTU output listed

FOR COMMERCIAL USE ONLY

NOTE: MIGALI® RESERVES THE RIGHT TO CHANGE SPECIFICATIONS WITHOUT NOTICE



TOLL FREE: 800.852.5292
WEB: www.migali.com

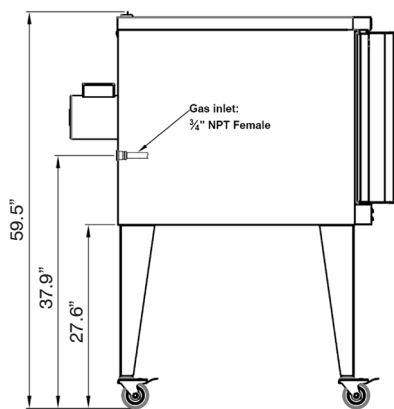
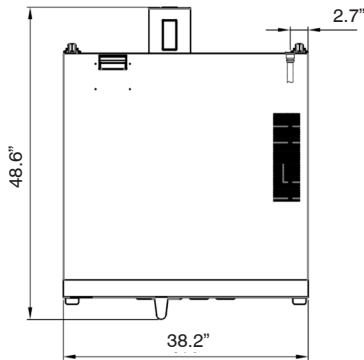
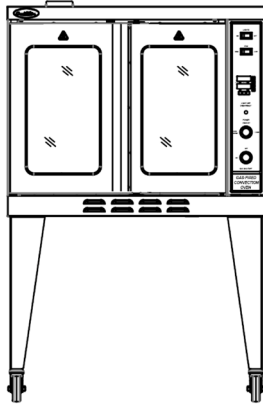


Complies to ANSI Z39.2
110-2000 (2011), NSF ANSI STD 1
& CSA 475.1 (2009/2010)



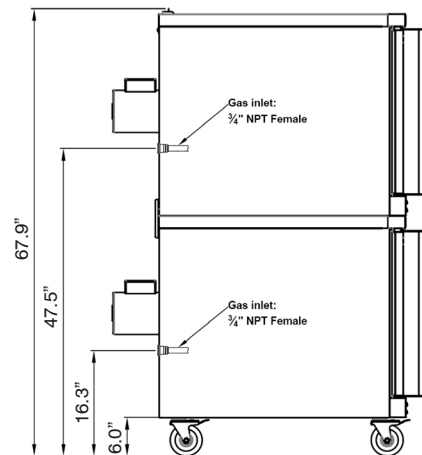
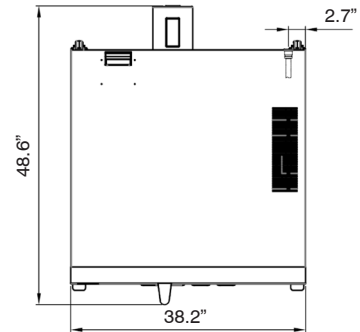
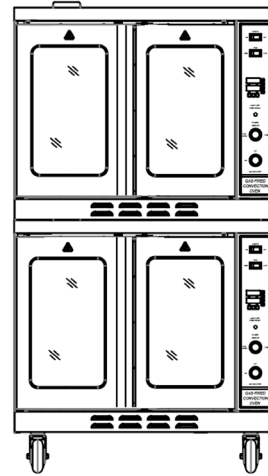
DIMENSIONAL DRAWINGS

C-CO1-NG/LP



SIDE VIEW - SINGLE

(2x) C-CO1-NG/LP



SIDE VIEW - DOUBLE



MIGALI® REMAINS AN AMERICAN FAMILY COMPANY SINCE 1955