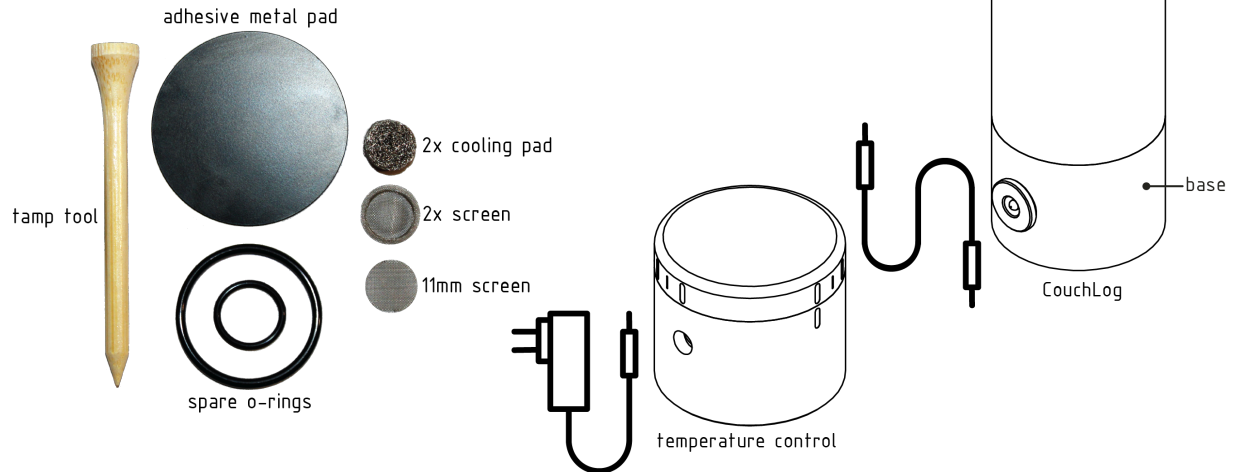


CouchLog manual - read before use!

product overview:

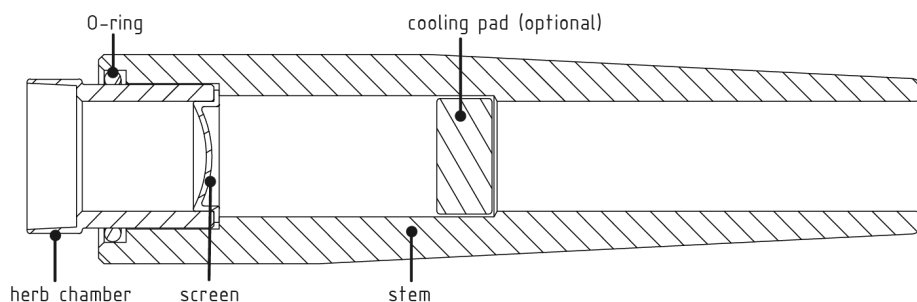


Assembly CouchLog:

Connect the CouchLog, as shown in the picture.
(The power supply only fits one socket of the temperature controller)
Place the CouchLog preferably on a metal surface,
to prevent it from tipping over.
Optionally, use the included adhesive metal pad.

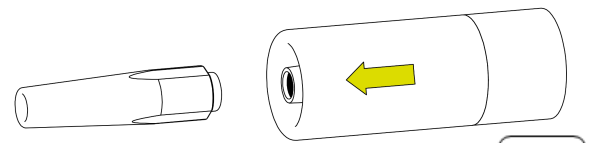
Assembly Mouthpiece:

The mouthpiece is pre-assembled with the herb chamber, screen, and o-ring.
In the accessories there are two optional cooling pads included to cool down the vapor.
They are recommended if u dont use an extra cooling device (Bong etc.).
To use the cooling pad, remove the herb chamber from the stem, by pulling it out of the stem.
Once the herb chamber has been removed, insert the cooling pad into the stem.
To put the herb chamber back into the stem, place the o-ring on the middle of the herb chamber and slide it back in.
To switch screens, take the tamp tool and push it out. Then push in a new screen into the herb chamber.
If you want to use glass beads (not included) for cooling, just add the 11mm screen instead of the cooling pad and add beads on top.



Get started:

1. Set the temperature controller to the desired temperature. I recommend starting at 3. (The controller is continuously variable)
The device reaches the temperature after 15 minutes.



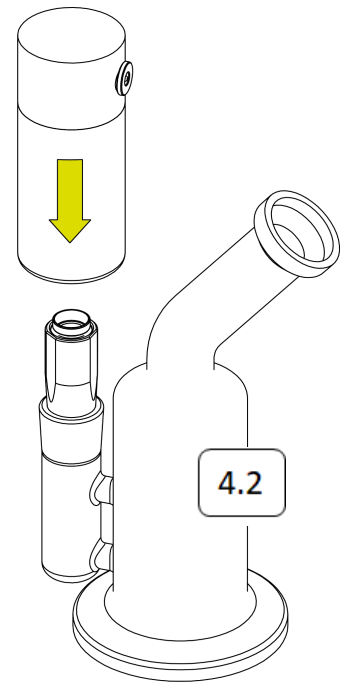
4.1

2. Fill the herbs in the herb chamber. For better handling, use the included funnel.

3. Use the tamp tool, to make sure the herbs won't fall out of the chamber and the air can't flow past your load. A light tamp is enough, don't pack too tight.

4.1 Hold the CouchLog horizontal against the mouthpiece. to prevent herbs from falling into the heating element

4.2 Use with glass: Insert the mouthpiece (14mm/18mm). Put the CouchLog on top of the mouthpiece.



The Intensity and length of the inhalation are the deciding factors for the amount of vapor produced.

5. If the herbs are not completely extracted, you can use the pointed side of the tamp tool to mix the herbs, tamp them down and vape again.

6. Use the Pointed side of the tamp tool to clean the herb chamber from the used herbs.

Note:

- The vapor condenses partly on the surface of the cooling pad. You can recycle the condensate, by placing the cooling pad inside of the herb chamber and vape it.
- For better handling, the CouchLog can get unplugged while vaping.
- The heat protection sleeve is detachable to work in tight conditions and to speed up the cooling process. To remove it, pull off the sleeve from the base. If you put it back on, try to do a quick rotation while you push it back down on the base.
- You can fix a blunt tip on your tamp tool with a pencil sharpener.
- The cooling capacity can be raised by putting more than one cooling pad inside of the stem.
- The herb chamber fits an 18/14mm glass adapter (without o-ring), if you don't want to use the wooden mouthpiece.

Cleaning:

To guarantee evenly roasted herbs, you have to clean your screen regularly. For a quick clean, just burn off the sticky material on the screen and brush it off afterwards. To deep clean your screen, herb chamber, and cooling pad, submerge them in isopropyl alcohol, 93% or higher for at least 10 minutes to 1 hour. To clean the wood only use mild soap water and add wood wax from time to time, to make it shine again.

Caution:

Some wood types can start leaking wood resin when they get hot.
This can cause the herb chamber to get stuck in the stem.
Please check your stem and scrape off the resin after use.

The device runs continuously while connected to a power source and therefore needs to be under supervision.

Risk of burning: while under operation, only touch the wooden parts of the device.
Never open the device, or it could get damaged!
If you need help with your device, contact me.

Contact:

fabric7 UG (haftungsbeschränkt)
Dobler Str. 10
75305 Neuenbürg

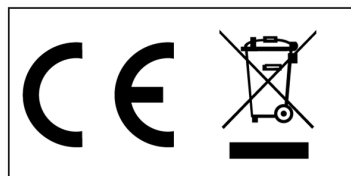
mail@420eng.com

Compliance with legal and normative requirements:

The devices comply with the following
CE Directive:

Low Voltage Directive
73/23/EWG

Electromagnetic Compatibility
89/336/EWG



RETURN POLICY

Right of withdrawal

You have the right to cancel this contract within fourteen days without giving any reason.

The revocation period is fourteen days from the day on which you or a third party named by you, who is not the carrier, has or has taken possession of the goods.

To exercise your right of withdrawal, you must inform us (fabric7 UG (haftungsbeschränkt), Dobler Str. 10, 75305 Neuenbürg, 004915678340748, phone: mail@420eng.com) by means of a clear declaration (e.g. a letter sent by mail, fax or e-mail) of your decision to withdraw from this contract. You can use the attached sample withdrawal form for this purpose, which is, however, not mandatory.

In order to comply with the withdrawal period, it is sufficient that you send the notification of the exercise of the right of withdrawal before the expiry of the withdrawal period.

Consequences of the revocation

If you revoke this contract, we shall reimburse you all payments we have received from you, including delivery costs (with the exception of additional costs resulting from the fact that you have chosen a type of delivery other than the most favorable standard delivery offered by us), without undue delay and no later than within fourteen days from the day on which we received the notification of your revocation of this contract. For this repayment, we will use the same means of payment that you used for the original transaction, unless expressly agreed otherwise with you; in no case will you be charged any fees because of this repayment. We may refuse repayment until we have received the goods back or until you have provided proof that you have returned the goods, whichever is the earlier. You must return or hand over the goods to us without undue delay and in any case no later than within fourteen days from the day on which you notify us of the revocation of this contract. The deadline is met if you send the goods before the expiry of the period of fourteen days.

You shall bear the direct costs of returning the goods.

You will only have to pay for any loss in value of the goods if this loss in value is due to handling of the goods that is not necessary for testing the condition, properties and functioning of the goods.

The right of withdrawal does not apply to distance contracts for the delivery of goods that have been manufactured according to customer specifications or that are clearly tailored to personal needs or that are not suitable for return due to their nature. Furthermore, the right of withdrawal does not apply to distance contracts for the delivery of sealed goods that are not suitable for return for reasons of health protection or hygiene if their seal has been removed after delivery.