

TRABL

UNDERSLUNG

Trailer suspension package
Ensemble pour suspension arrière
Ensemble para suspensión de trasero

Ref. = Reference = No. de référence = Núm. de referencia
Part = Part #. = No. de pièce = Núm. de pieza
Qty. = Quantity = Quantité = Cantidad

INSTALLATION INSTRUCTIONS

- Ensure that trailer is properly supported.
- Loosen U-bolts. Refer to manufacturer's guidelines when loosening U-bolts.
- Assemble Timbren suspension as shown in diagram using Timbren supplied fasteners. Tighten fasteners until snug.
- Position Timbren assembly on top of the axle.
- Tighten U-bolts as per manufacturer's specification.

NOTES:

These instructions are not intended to replace OEM guidelines for safe removal and replacement of the OEM fasteners.

Do not exceed vehicle manufacturer's recommended axle weight rating. Check for AEON® interference with vehicle components - Under load AEON® will "expand" in diameter.

INSTRUCTIONS DE MONTAGE

- Assurez-vous que la remorque est correctement supportée.
- Desserrez les boulons en U. Reportez-vous aux directives du fabricant lors du desserrage des boulons en U.
- Assemblez la suspension Timbren comme indiqué sur le schéma à l'aide des fixations fournies par Timbren.
- Positionnez l'ensemble Timbren sur le dessus de l'essieu.
- Serrez les boulons en U selon les spécifications du fabricant.

REMARQUES:

Ces instructions ne sont pas destinés à remplacer les lignes directrices du fabricant pour le retrait et le remplacement des attaches d'origine.

Ne pas dépasser le poids nominal sur l'essieu recommandé par le fabricant du véhicule. Vérifier que le ressort AEON® n'a pas d'incidence sur d'autres pièces du véhicule - Le ressort AEON® augmentera son diamètre avec la charge.

INSTRUCCIONES DE INSTALACIÓN

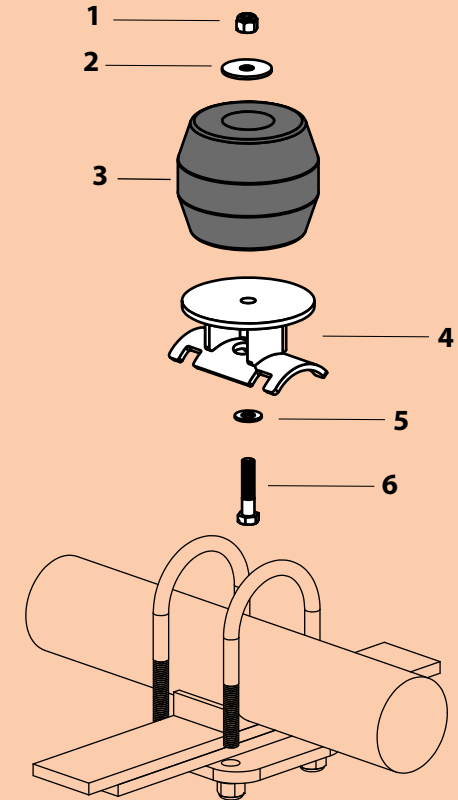
- Asegúrese de que el remolque esté debidamente apoyado.
- Afloje los pernos en U. Consulte las pautas del fabricante al aflojar los pernos en U.
- Monte la suspensión Timbren como se muestra en el diagrama utilizando los sujetadores suministrados por Timbren.
- Coloque el conjunto de Timbren en la parte superior del eje.
- Apriete los pernos en U según las especificaciones del fabricante.

NOTAS:

Estas declaraciones no están destinadas a sustituir las directrices del fabricante para el retiro y sustitución de elementos de sujeción.

No exceda la carga nominal en el eje recomendada por el fabricante del vehículo. Compruebe que no haya interferencia entre el resorte AEON® y los otros componentes del vehículo. Bajo carga, el resorte AEON® se ampliará en diámetro.

Ref	Part	Qty
1	F31003-250	2
2	F42033-020	2
3	A0103B-55Q00	2
4	K10561-003	2
5	F40030-086	2
6	F11064-250	2



TRABL 

Clearance Instructions

Front SES kits are usually in full contact.

Rear SES kits for Light Duty Trucks and Cube Vans should have 1/2" to 1-1/2" gap between rubber spring and contact point when empty. A partial load, or vehicle accessories will reduce or eliminate gap.

Medium and Heavy-Duty Trucks, Trailers and Motorhomes will be in constant contact, and have no gap.

Lifetime Warranty

Timbren SES - Suspension Enhancement Systems kits are warranted against defects in material and workmanship, under normal use and service, for the life of the vehicle on which the kit was originally installed. The warranty is non-transferable and proof of the date of purchase and purchaser is required.

This warranty is limited to the replacement of the failed parts and does not include labor, freight, collateral damage or ancillary costs which may arise as a result of the failed part. For vehicles subjected to exceptionally high use and service, the warranty is limited to the lesser of 5 years (from date of purchase) or 400,000 km (approx. 250,000 miles).

Timbren retains the right to make its own inspection of the failed part to determine the validity of the claim. Timbren shall not be liable nor warrant the product in the event of alteration, misuse, overload, negligence nor damage caused by others

100 Day Money Back Guarantee

Timbren Industries offers a 100 Day Money Back Guarantee on all our SES and Active Off-Road Bumpstop products. If our product does not do what we claim it can do call our expert Customer Service Team. 1-800-263-3113 or email sales@timbren.com. Our team will do they're absolute best to resolve your issue and get you towing and hauling like the pros or your money back.

