

MKT001

MACK

Rear suspension package Ensemble pour suspension arrière Ensemble para suspensión de trasero

INSTALLATION INSTRUCTIONS

- Raise vehicle allowing the axle to hang freely.
- Remove existing bump stop assembly.
- Assemble Aeon rubber spring and bracket as shown in the adjacent diagram.
- Mount Timbren assembly using existing holes & Timbren supplied fasteners.
- Lower vehicle.

INSTRUCTIONS DE MONTAGE

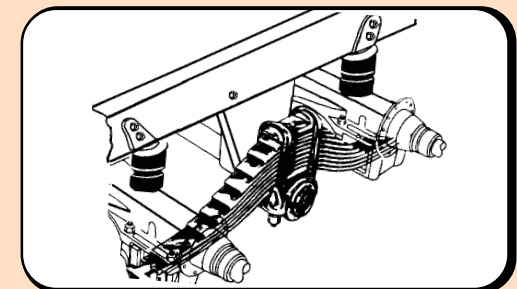
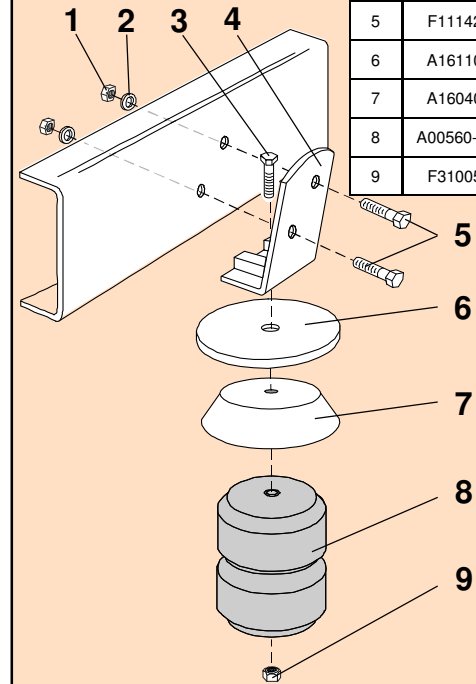
- Soulever le véhicule de sorte que l'essieu soit dégagé.
- Retirer l'assemblage de la butée de suspension existante.
- Assembler le ressort en caoutchouc Aeon et le support comme il est indiqué dans le schéma adjacent.
- Monter l'assemblage Timbren en utilisant les trous existants et la boulonnerie fournie avec l'assemblage Timbren.
- Redescendre le véhicule.

INSTRUCCIONES DE INSTALACIÓN

- Levante el vehículo dejando que los ejes cuelguen libremente.
- Retire la unidad del tope de suspensión existente.
- Ensamble el resorte de caucho Aeon y la abrazadera como se muestra en el diagrama adyacente.
- Monte la unidad Timbren utilizando los orificios existentes y los elementos de sujeción Timbren provistos.
- Baje el vehículo.

Ref. = Reference = No. de référence = Núm. de referencia
Part = Part #. = No. de pièce = Núm. de pieza
Qty. = Quantity = Quantité = Cantidad

Ref	Part	Qty
1	F31007-150	8
2	F40071-020	8
3	F11108-150	4
4	K10006-003	2L-2R
5	F11142-150	8
6	A16110-003	4
7	A16040-003	4
8	A00560-55C70	4
9	F31005-150	4



Do not exceed vehicle manufacturer's recommended axle weight rating. Check for AEON® interference with vehicle components - Under load AEON® will "expand" in diameter.

Ne pas dépasser le poids nominal sur l'essieu recommandé par le fabricant du véhicule. Vérifier que le ressort AEON® n'a pas d'incidence sur d'autres pièces du véhicule - Le ressort AEON® augmentera son diamètre avec la charge.

No exceda la carga nominal en el eje recomendada por el fabricante del vehículo. Compruebe que no haya interferencia entre el resorte AEON® y los otros componentes del vehículo. Bajo carga, el resorte AEON® se ampliará en diámetro.

MKT001



MKT001

TIMBREN INDUSTRIES INC.

www.timbren.com

PART NUMBER	DESCRIPTION	QTY	LOCATION
F31007-150	NYLOCK LOCKNUT 5/8 UNF GR 5 Z	8	H2E
F40071-020	WASHER FLAT USS 5/8 x 1-3/4 GR 2 Z	8	H2E
F11142-150	HCS 5/8 x 1-1/2 UNF GR 5 Z	8	H2E
F31005-150	NYLOCK LOCKNUT 1/2 UNF GR 5 Z	4	G1D
F11108-150	HCS 1/2 x 3 UNF GR 5 Z	4	G2A

A00560-55C70	Hollow Rubber Spring	4	C13A
--------------	----------------------	---	------

K10006RH-003	IHRCXT/MKT001/MKTT001 WELD. RH PAINTED	2	E1A
K10006LH-003	IHRCXT / MKT001 / MKTT001 WELD. LH PAINTED	2	E1A
A16110-003	DISC 6 OD x 17/32 ID x 3/8 THICK PAINTED	4	D20A
A16040-003	STEEL CUP 6-15/16 x 17/32 x 1-5/8 PAINTED	4	D21B

B90223	10-3/4 x 9-1/2 x 7 DW Carton	2	A1A
B10100	NEWSPRINT 18" ROLL	1	
B00029-010	BARCODE LABEL FOR KIT	1	
	1 of 2 & 2 of 2 LABELS	1 ea.	

Issued: 9/22/2015

ASSEMBLY NOTES:

ALL COMPONENTS ARE DIVIDED IN HALF AND PACKAGED INTO TWO IDENTICAL PACKAGES.

APPLY 'LEFT' LABEL TO L/H BRACKET.

APPLY "1 of 2" and "2 of 2" LABELS TO CARTONS

Clearance Instructions:

Rear SES Kits for Pick-Ups and Vans should have a 1/2" to 1-1/2" gap between the rubber spring and contact point when empty.

A partial load, or vehicle accessories will reduce or eliminate the gap.

Front SES kits are usually in full contact.

Medium and Heavy-Duty Trucks, Trailers and Motorhomes will be in constant contact, and have no gap.

Lifetime Warranty:

Timbren SES Kits are warranted against defects in material and workmanship, under normal use and service, for the life of the vehicle on which the kit was originally installed. The warranty is not transferable and proof of purchase is required. The warranty is limited to the replacement of the failed part.

TIMBREN will not be responsible for any labour or freight charges involved in the replacement of any product. TIMBREN shall be entitled to make its own inspection to determine the validity of the claim. TIMBREN shall not be liable nor warranty the product in the event of alteration, misuse, overload, negligence or damage caused by others.

If ride or performance of our product is unsatisfactory in any way, please call: 1-800-263-3113 or email sales@timbren.com