

LRDF1A**LAND ROVER**
Front suspension package
Ensemble pour suspension avant
Ensemble para suspensión de delantero

Ref. = Reference = No. de référence = Núm. de referencia
 Part = Part #. = No. de pièce = Núm. de pieza
 Qty. = Quantity = Quantité = Cantidad

INSTALLATION INSTRUCTIONS

- Raise vehicle allowing the axle to hang freely.
- Remove existing bump stop assembly & retain fasteners.
- Assemble Aeon rubber spring and bracket as shown in adjacent diagram. Use Loctite when tightening bolts.
- Mount Timbren assembly using OEM fasteners.
- Lower vehicle.

NOTES:

When removing OEM fasteners, use penetrating fluid.

Do not exceed vehicle manufacturer's recommended axle weight rating. Check for AEON interference with vehicle components - Under load AEON will "expand" in diameter.

INSTRUCTIONS DE MONTAGE

- Soulever le véhicule en laissant l'essieu pendre librement.
- Retirez l'assemblage de butée de protection existant et conservez les fixations.
- Assemblez le ressort en caoutchouc Aeon et le support comme indiqué dans le diagramme ci-contre. Utilisez du Loctite lors du serrage des boulons.
- Monter l'assemblage Timbren en utilisant des attaches OEM.
- Véhicule inférieur.

REMARQUES:

Utiliser un fluide pénétrant, au moment de retirer la boulonnerie du fabricant d'équipement.

Ne pas dépasser le poids nominal sur l'essieu recommandé par le fabricant du véhicule. Vérifier que le ressort AEON n'a pas d'incidence sur d'autres pièces du véhicule - Le ressort AEON augmentera son diamètre avec la charge.

INSTRUCCIONES DE INSTALACIÓN

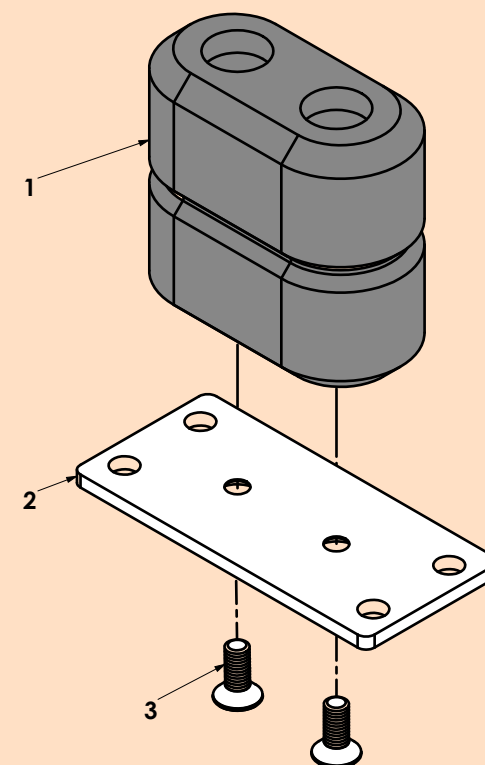
- Levante el vehículo permitiendo que el eje cuelgue libremente.
- Retire el conjunto de tope de tope existente y retenga los sujetadores.
- Monte el resorte de goma Aeon y el soporte como se muestra en el diagrama adyacente. Use Loctite al apretar los pernos.
- Montar el conjunto Timbren utilizando sujetadores OEM.
- Baje el vehículo.

NOTAS:

Al remover los elementos de sujeción del fabricante original de equipo, utilice fluido penetrante.

No exceda la carga nominal en el eje recomendada por el fabricante del vehículo. Compruebe que no haya interferencia entre el resorte AEON y los otros componentes del vehículo. Bajo carga, el resorte AEON se ampliará en diámetro.

Ref	Part	Qty
1	A00100-55AG00	2
2	K53052-003	2
3	F12534-783	4



LRDF1A

TIMBREN INDUSTRIES INC.

www.timbren.com

PART NUMBER	DESCRIPTION	QTY	LOCATION
F12534-783	FHSC M10 x 25 x 1.50 FT Gr. 10.9 B	4	J2B
A00100-55AG00	HOLLOW RUBBER SPRING	2	C13C
K53052-003	Mounting Plate	2	TBD
B90201-CF	LARGE FRONT BOX - 10.5 x 8.5 x 6	1	A--D
B10000	8" X 12" BUBBLE FOR KITS	1	
B00029-010	BARCODE LABEL FOR KIT	1	

ASSEMBLY NOTES:

Issued: 4/29/2019

Clearance Instructions:

Rear SES Kits for Pick-Ups and Vans should have a 1/2" to 1-1/2" gap between the rubber spring and contact point when empty.

A partial load, or vehicle accessories will reduce or eliminate the gap.

Front SES kits are usually in full contact.

Medium and Heavy-Duty Trucks, Trailers and Motorhomes will be in constant contact, and have no gap.

Lifetime Warranty:

Timbren SES Kits are warranted against defects in material and workmanship, under normal use and service, for the life of the vehicle on which the kit was originally installed. The warranty is not transferable and proof of purchase is required. The warranty is limited to the replacement of the failed part.

TIMBREN will not be responsible for any labour or freight charges involved in the replacement of any product. TIMBREN shall be entitled to make its own inspection to determine the validity of the claim. TIMBREN shall not be liable nor warranty the product in the event of alteration, misuse, overload, negligence or damage caused by others.

If ride or performance of our product is unsatisfactory in any way, please call: 1-800-263-3113 or email sales@timbren.com