

KWF002

KENWORTH

Front suspension package Ensemble pour suspension avant Ensemble para suspensión de delantero

INSTALLATION INSTRUCTIONS

- Raise vehicle allowing the axle to hang freely.
- Assemble Aeon rubber spring and bracket as shown in the adjacent diagram.
- Mount Timbren assembly using existing holes & Timbren supplied fasteners.
- Lower vehicle.

NOTES:

Timbren bracket mounts adjacent to oil filter on right hand side. Care must be taken that Aeon springs do not contact oil filter under full deflection.

INSTRUCTIONS DE MONTAGE

- Soulever le véhicule de sorte que l'essieu soit dégagé.
- Assembler le ressort en caoutchouc Aeon et le support comme il est indiqué dans le schéma adjacent.
- Monter l'assemblage Timbren en utilisant les trous existants et la boulonnerie fournie avec l'assemblage Timbren.
- Redescendre le véhicule.

REMARQUES:

Monter le support adjacent au filtre à huile du côté droit. Être vigilant de sorte que les ressorts Aeon ne touchent pas au filtre à huile en pleine déflexion.

INSTRUCCIONES DE INSTALACIÓN

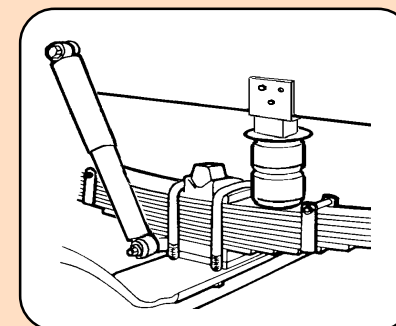
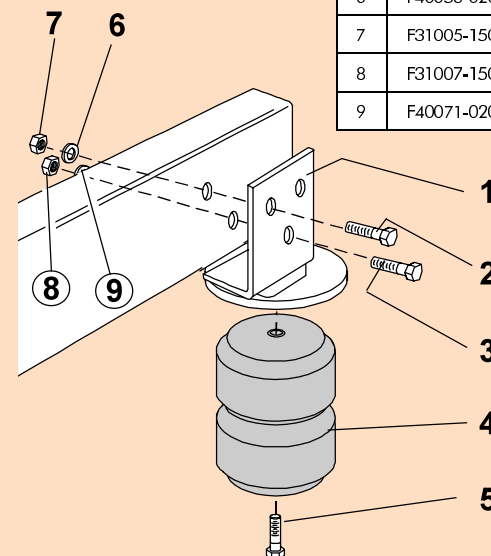
- Levante el vehículo dejando que los ejes cuelguen libremente.
- Ensamble el resorte de caucho Aeon y la abrazadera como se muestra en el diagrama adyacente.
- Monte la unidad Timbren utilizando los orificios existentes y los elementos de sujeción Timbren provistos.
- Baje el vehículo.

NOTAS:

La abrazadera Timbren se monta junto al filtro de aceite al lado derecho. Hay que tener cuidado de que los resortes Aeon no entren en contacto con el filtro de aceite bajo flexión total.

Ref. = Reference = No. de référence = Núm. de referencia
Part = Part #. = No. de pièce = Núm. de pieza
Qty. = Quantity = Quantité = Cantidad

Ref	Part	Qty
1	K10206-003	2
2	F11104-150	2
3	F11146-150	2
4	A00560-55C70	2
5	F11106-150	2
6	F40053-020	2
7	F31005-150	2
8	F31007-150	2
9	F40071-020	2



Do not exceed vehicle manufacturer's recommended axle weight rating. Check for AEON® interference with vehicle components - Under load AEON® will "expand" in diameter.

Ne pas dépasser le poids nominal sur l'essieu recommandé par le fabricant du véhicule. Vérifier que le ressort AEON® n'a pas d'incidence sur d'autres pièces du véhicule - Le ressort AEON® augmentera son diamètre avec la charge.

No exceda la carga nominal en el eje recomendada por el fabricante del vehículo. Compruebe que no haya interferencia entre el resorte AEON® y los otros componentes del vehículo. Bajo carga, el resorte AEON® se ampliará en diámetro.

KWF002



KWF002

TIMBREN INDUSTRIES INC.

www.timbren.com

PART NUMBER	DESCRIPTION	QTY	LOCATION
F31007-150	NYLOCK LOCKNUT 5/8 UNF GR 5 Z	2	H2E
F40071-020	WASHER FLAT USS 5/8 x 1-3/4 GR 2 Z	2	H2E
F11146-150	HCS 5/8 x 2-1/2 UNF GR 5 Z	2	H2E
F31005-150	NYLOCK LOCKNUT 1/2 UNF GR 5 Z	2	G1D
F40053-020	WASHER FLAT 1/2 x 1-1/2 X 1/8 GR 2 Z	2	G4A
F11104-150	HCS 1/2 x 2 UNF GR 5 Z	2	G1D
F11106-150	HCS 1/2 x 2-1/2 UNF GR 5 Z	2	G1D

A00560-55C70	Hollow Rubber Spring	2	C13A
--------------	----------------------	---	------

K10206-003	KWF002 WELDMENT PAINTED	2	E3A
------------	-------------------------	---	-----

B90224	12 x 11 x 8-1/2" DW Carton	1	A1A
B10100	NEWSPRINT 18" ROLL	1	
B00029-010	BARCODE LABEL FOR KIT	1	

Issued: 2019-09-04

Clearance Instructions:

Rear SES Kits for Pick-Ups and Vans should have a 1/2" to 1-1/2" gap between the rubber spring and contact point when empty.

A partial load, or vehicle accessories will reduce or eliminate the gap.

Front SES kits are usually in full contact.

Medium and Heavy-Duty Trucks, Trailers and Motorhomes will be in constant contact, and have no gap.

Lifetime Warranty:

Timbren SES Kits are warranted against defects in material and workmanship, under normal use and service, for the life of the vehicle on which the kit was originally installed. The warranty is not transferable and proof of purchase is required. The warranty is limited to the replacement of the failed part.

TIMBREN will not be responsible for any labour or freight charges involved in the replacement of any product. TIMBREN shall be entitled to make its own inspection to determine the validity of the claim. TIMBREN shall not be liable nor warranty the product in the event of alteration, misuse, overload, negligence or damage caused by others.

If ride or performance of our product is unsatisfactory in any way, please call: 1-800-263-3113 or email sales@timbren.com

ASSEMBLY NOTES:

APPLY 'LEFT' LABEL TO L/H BRACKET.