

FF114.5

FREIGHTLINER

Front suspension package
Ensemble pour suspension avant
Ensemble para suspensión de delanter

INSTALLATION INSTRUCTIONS

- Raise vehicle allowing the axle to hang freely.
- Assemble Aeon rubber spring and bracket as shown in the adjacent diagram. Use the slot to ensure Aeon is centered over leaf.
- Mount Timbren assembly using existing holes & Timbren supplied fasteners.
- Lower vehicle.

Notes:

If necessary, drill frame to ensure that Aeon spring is centered over leaf. Always refer to and follow the vehicle manufacturer's guidelines when welding or drilling during installation of this kit.

INSTRUCTIONS DE MONTAGE

- Soulever le véhicule permettant à l'essieu de pendre librement.
- Assembler le ressort en caoutchouc Aeon et le support comme indiqué dans le schéma ci-joint. Utilisez la fente pour s'assurer qu'Aeon est centré sur la feuille.
- Assemblage du mont Timbren en utilisant les trous existants et les attaches fournies par Timbren.
- Abaisser le véhicule.

Remarques:

Percer le cadre, si nécessaire, pour s'assurer que le ressort Aeon est placé au centre des lames de suspension. Se référer aux directives du fabricant et les suivre en tout temps lors du soudage ou du perçage en ce qui concerne l'installation du présent ensemble.

INSTRUCCIONES DE INSTALACIÓN

- Levante el vehículo permitiendo que el eje cuelgue libremente.
- Monte el resorte de goma Aeon y el soporte como se muestra en el diagrama adyacente. Usa la naruna para asegurarte de que Aeon esté centrado sobre la hoja.
- Monte el conjunto de Timbren usando los orificios existentes y los sujetadores provistos por Timbren.
- Baje el vehículo.

Notas:

Si se necesita, perforo el chasis para asegurarse de que el resorte Aeon esté centrado sobre las hojas de muelle. Siempre consulte y siga las instrucciones del fabricante del vehículo al soldar o perforar durante la instalación de este kit.

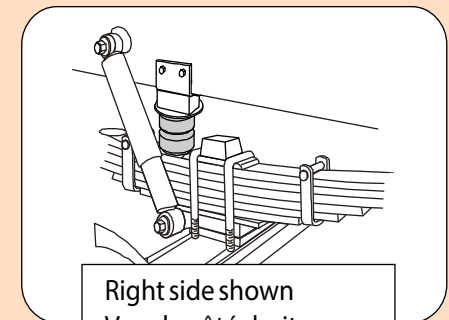
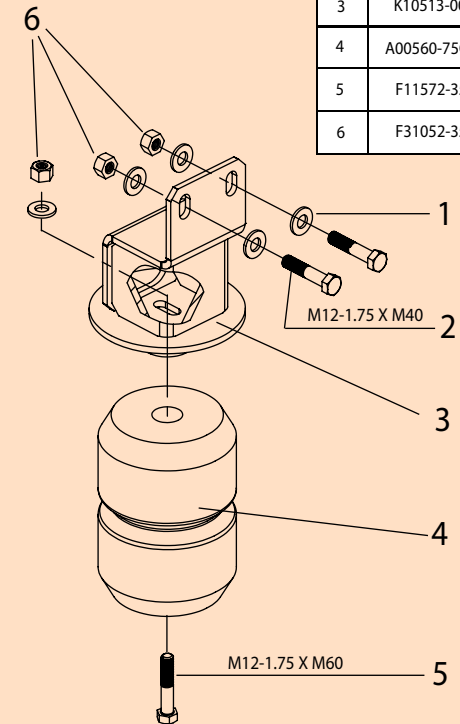
Do not exceed vehicle manufacturer's recommended axle weight rating. Check for AEON® interference with vehicle components. Under load AEON® will "expand" in diameter.

Ne pas dépasser l'essieu recommandée par le constructeur du véhicule estimation de poids. Vérifier pour EON® avec des composants du véhicule. Sous charge AEON® se "développer" de diamètre.

No exceda del fabricante del vehículo clasificación de peso recomendado del eje. Verificar AEON® interferencias con los componentes del vehículo. Bajo carga AEON® "ampliara" en diámetro.

Ref. = Reference =No. de référence =Núm. de referencia
Part = Part #. = No. de pièce =Núm. de pieza
Qty. = Quantity =Quantité =Cantidad

Ref	Part	Qty
1	F40320-020	5
2	F11568-350	2
3	K10513-003	1
4	A00560-75C70	1
5	F11572-350	1
6	F31052-350	3



Right side shown
Vue du côté droit
Vista del lado derecho

FF114.5 

FF114.5

TIMBREN INDUSTRIES INC.

www.timbren.com

PART NUMBER	DESCRIPTION	QTY	LOCATION
F31052-350	NYLOCK LOCKNUT M12 x 1.75 Gr. 8.0 Z	3	H3E
F40320-020	WASHER FLAT M12 Gr. 4.6 Z	5	H3E
F11568-350	HCS M12 X 40 X 1.75 Gr. 8.8 Z	2	H3E
F11572-350	HCS M12 X 60 X 1.75 Gr. 8.8 Z	1	

A00560-75C70	Hollow Rubber Spring	1	C12A
--------------	----------------------	---	------

K10513-003	FF114 WELDMENT PAINTED	1	D19E
------------	------------------------	---	------

B90223	10-3/4 x 9-1/2 x 7 DW Carton	1	A1A
B10100	NEWSPRINT 18" ROLL	1	
B00029-010	BARCODE LABEL FOR KIT	1	

Issued: 1/19/2018

Clearance Instructions:

Rear SES Kits for Pick-Ups and Vans should have a 1/2" to 1-1/2" gap between the rubber spring and contact point when empty.

A partial load, or vehicle accessories will reduce or eliminate the gap.

Front SES kits are usually in full contact.

Medium and Heavy-Duty Trucks, Trailers and Motorhomes will be in constant contact, and have no gap.

Lifetime Warranty:

Timbren SES Kits are warranted against defects in material and workmanship, under normal use and service, for the life of the vehicle on which the kit was originally installed. The warranty is not transferable and proof of purchase is required. The warranty is limited to the replacement of the failed part.

TIMBREN will not be responsible for any labour or freight charges involved in the replacement of any product. TIMBREN shall be entitled to make its own inspection to determine the validity of the claim. TIMBREN shall not be liable nor warranty the product in the event of alteration, misuse, overload, negligence or damage caused by others.

If ride or performance of our product is unsatisfactory in any way, please call: 1-800-263-3113 or email sales@timbren.com

ASSEMBLY NOTES:

KIT IS FOR ONE SIDE ONLY.