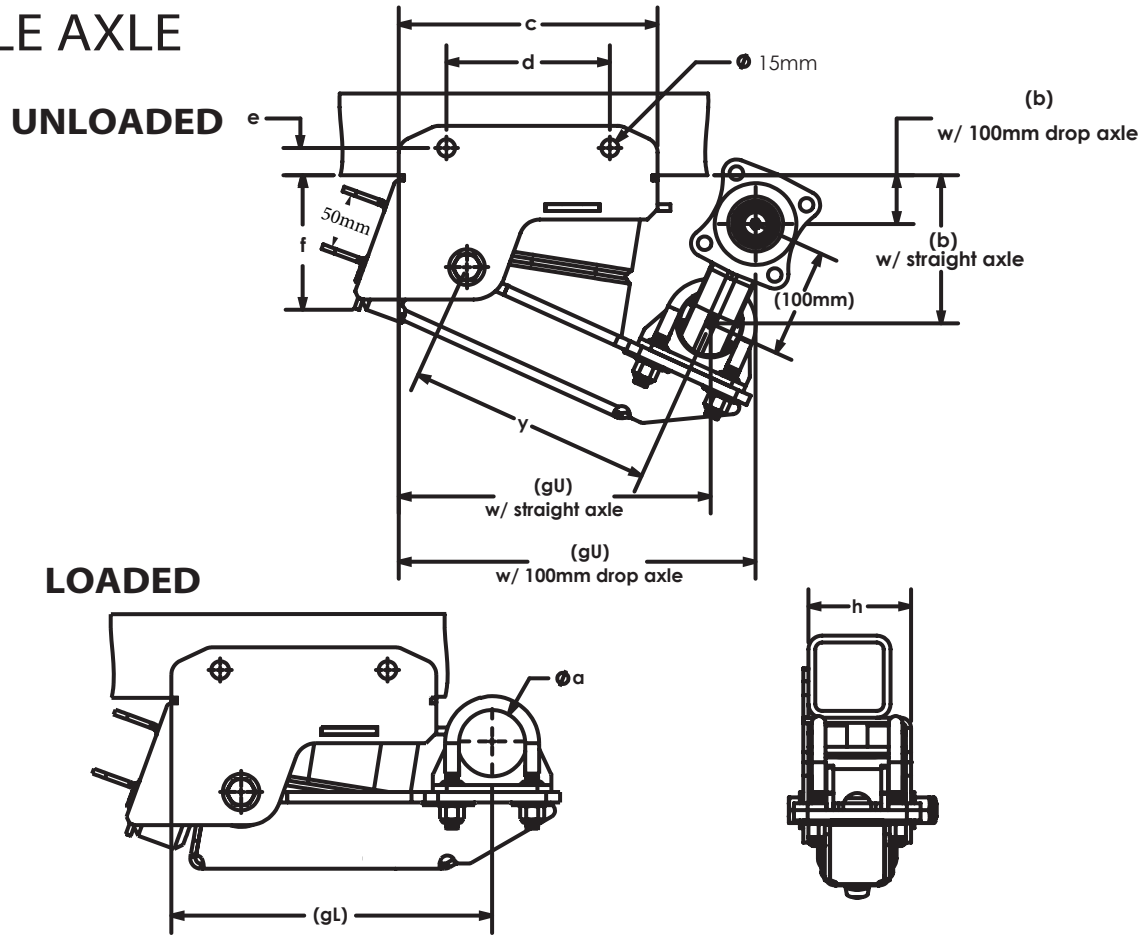


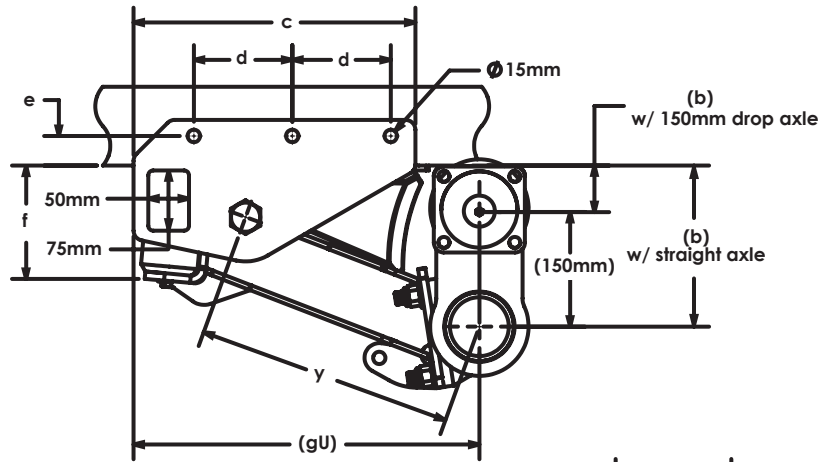
### SINGLE AXLE



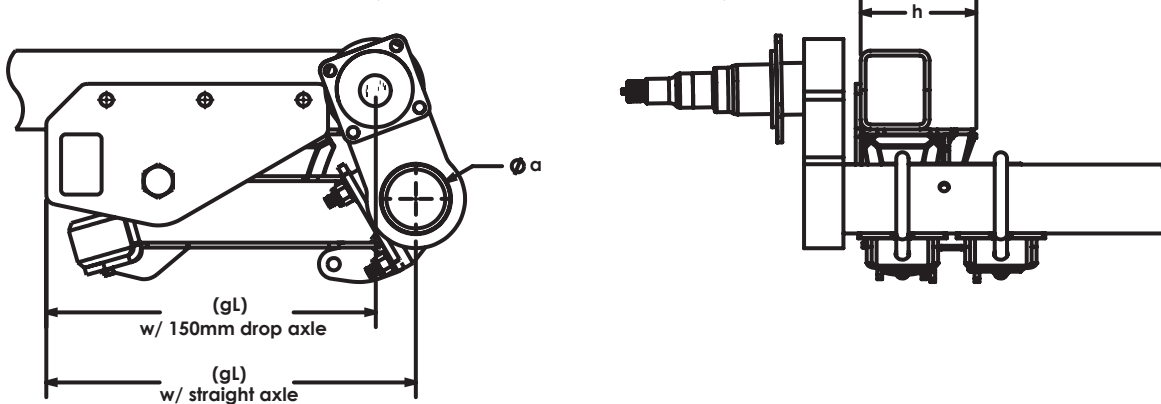
Type	Models	Total Load Capacity	Axle Shape	DIMENSIONS											Shipping Weight, Lbs.	
				a	b		c	d	e	f	(gL)	(gU)		h		y
					w/ straight axle	w/ 4" drop axle						w/ straight axle	w/ 4" drop axle			
Single	SR2000S03	910	Round	60	103	5	210	127	25	122	298	302	330	86	229	19
Single	SR2000S04	910	Round	44	113	16						298	327			19
Single	SR2000S05	910	Round	51	110	11						300	329			19
Single	SR2000S06	910	Square	51	111	13						300	329			19
Single	SR3500S04	1590	Round	60	138	46	241	152	25	125	292	291	333	95	229	25
Single	SR3500S05	1590	Square	51	146	54						287	329			25
Single	SR3500S06	1590	Round	76	133	40						294	335			25
Single	SR3500S07	1590	Round	64	138	46						291	333			25
Single	SR3500S08	1590	Square	65	140	48						291	333			25
Single	SR5KS02	2270	Round	76	125	27	286	108 (x2)	38	127	324	329	352	114	267	45
Single	SR5KS03	2270	Round	64	132	32						327	351			45
Single	SR5KS04	2270	Square	65	133	33						327	351			45
Single	SR7KS02	3180	Round	76	144	48	286	108 (x2)	38	164	324	327	359	114	267	45

### SINGLE AXLE

#### UNLOADED



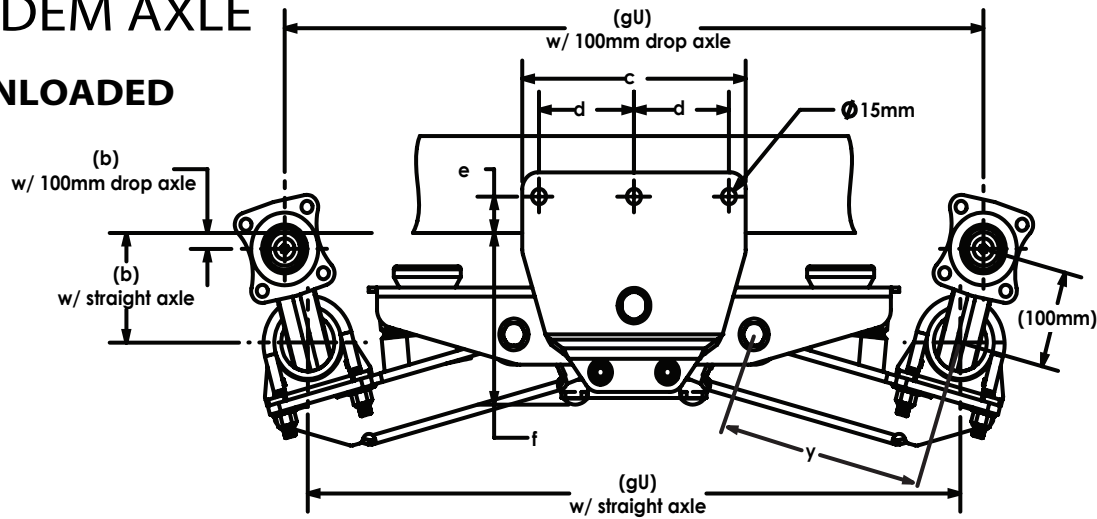
#### LOADED



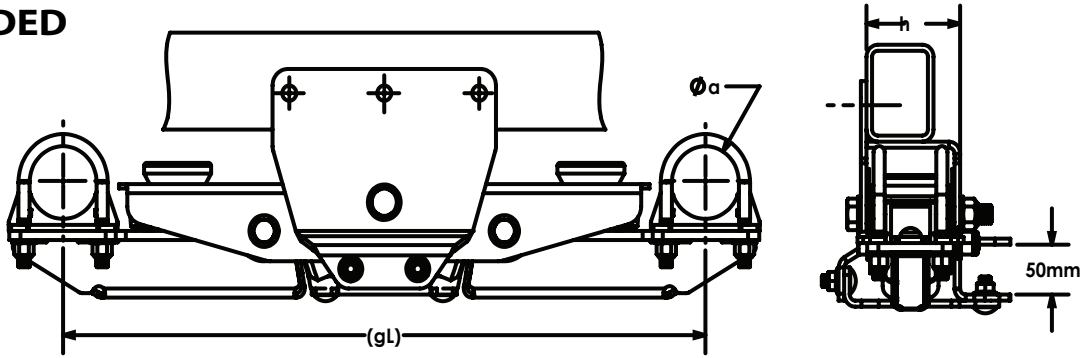
Type	Models	Total Load Capacity	Axle Shape	DIMENSIONS											Shipping Weight, Lbs w/o axle	
				a	b		c	d	e	f	(gU)	(gL)		h		y
					w/ straight axle	w/ 150mm drop						w/ straight axle	w/ 150mm drop			
Single	SR8KS01	3500	Round	89	202	49	364	127 (x2)	38	146	446	476	425	149	333	45

### TANDEM AXLE

#### UNLOADED



#### LOADED



Type	Models	Total Load Capacity	Axle Shape	DIMENSIONS										Shipping Weight, Lbs.		
				a	b		c	d	e	f	(gL)	(gU)			h	y
					w/ straight axle	w/ 100mm drop						w/ straight axle	w/ 100mm drop			
Tandem	SR4000T02	1800	Round	44	105	6	254	108	38	179	730	749	800	106	229	57
Tandem	SR4000T03	1800	Round	64 (H)	95	3						752	806			57
Tandem	SR4000T04	1800	Round	60 (L)	94	5						752	806			57
Tandem	SR4000T05	1800	Square	51	108	10						746	797			57
Tandem	SR4000T06	1800	Round	51	103	6						749	800			57
Tandem	SR4000T07	1800	Round	76	116	17						743	794			57
Tandem	SR4000T09	1800	Round	64 (L)	122	24						743	794			57
Tandem	SR4000T10	1800	Round	60	121	24						740	791			57
Tandem	SR7000T05	3180	Round	76	157	64	292	108	38	179	838	841	924	114	229	69
Tandem	SR7000T07	3180	Round	60	164	70						838	918			69
Tandem	SR7000T08	3180	Square	51	170	76						832	911			69
Tandem	SR7000T09	3180	Square	64	164	70						838	918			69
Tandem	SR7000T11	3180	Round	64 (L)	164	70						838	918			69



## SILENT RIDE TRAILER SUSPENSION DIMENSIONS & SPECIFICATIONS (METRIC)

Type	Models	Total Load Capacity	Axle Shape	DIMENSIONS											Shipping Weight, Lbs.	
				a	b		c	d	e	f	(gL)	(gU)		h		y
					w/ straight axle	w/ 100mm drop						w/ straight axle	w/ 100mm drop			
Tandem	SR7K31T08	3180	Square	51	170	76	292	108	38	179	787	781	860	114	229	68
Tandem	SR7K35T01	3180	Round	60 (H)	164	70	286	108	38	179	889	889	968	114	229	71
Tandem	SR7K35T02	3180	Round	64 (L)	164	70						889	972			71
Tandem	SR7K35T03	3180	Round	76	157	64						892	975			71
Tandem	SR7K35T05	3180	Square	64	165	71						886	968			71
Tandem	SR7733T02	3500	Round	76	167	70	352	108	38	211	838	845	908	114	267	94
Tandem	SR10KT02	4490	Round	76	167	70	352	108	38	211	838	845	908	114	267	94
Tandem	SR10KT03	4490	Square	64	175	78						842	902			94
Tandem	SR14KT01	6360	Round	76	162	65	352	108	38	211	838	846	902	114	267	94
Tandem	SR14K35T01	6360	Round	76	162	65	352	108	38	211	889	897	953	114	267	94