

FRF53A**FORD**

Rear suspension package
Ensemble pour suspension arrière
Ensemble para suspensión de trasero

Ref. = Reference = No. de référence = Núm. de referencia
Part = Part #. = No. de pièce = Núm. de pieza
Qty. = Quantity = Quantité = Cantidad

INSTALLATION INSTRUCTIONS

- Park vehicle on a solid, level ground. Use wheel chocks on wheels at both sides to prevent it from moving.
- Partially raise vehicle not allowing the axle to hang freely.
- Remove existing bump stop assembly.
- Assemble Aeon rubber spring and bracket as shown in the adjacent diagram. Use spacer plate if necessary to ensure that there is no interference between Aeon rubber spring and other vehicle components.
- Mount Timbren assembly using existing holes & Timbren supplied fasteners.
- Lower vehicle.

Overall Height: 5 3/4"

Do not exceed vehicle manufacturer's recommended weight rating. Check for AEON[®] interference with vehicle components - Under load AEON[®] will "expand" in diameter.

INSTRUCTIONS DE MONTAGE

- Garer le véhicule sur un sol solide et plat. Utilisez des cales de roue sur les roues des deux côtés pour l'empêcher de bouger.
- Soulevez partiellement le véhicule en ne permettant pas à l'essieu de pendre librement.
- Retirez l'ensemble de butée de suspension existant.
- Assemblez le ressort en caoutchouc Aeon et le support comme indiqué sur le schéma ci-contre. Utilisez une plaque d'espacement si nécessaire pour vous assurer qu'il n'y a pas d'interférence entre le ressort en caoutchouc Aeon et les autres composants du véhicule.
- Montez l'ensemble Timbren en utilisant les trous existants et les fixations fournies par Timbren.
- Abaisser le véhicule.

Hauteur totale: 5 3/4"

Ne pas dépasser le poids nominal sur l'essieu recommandé par le fabricant du véhicule. Vérifier que le ressort AEON[®] n'a pas d'incidence sur d'autres pièces du véhicule - Le ressort AEON[®] augmentera son diamètre avec la charge.

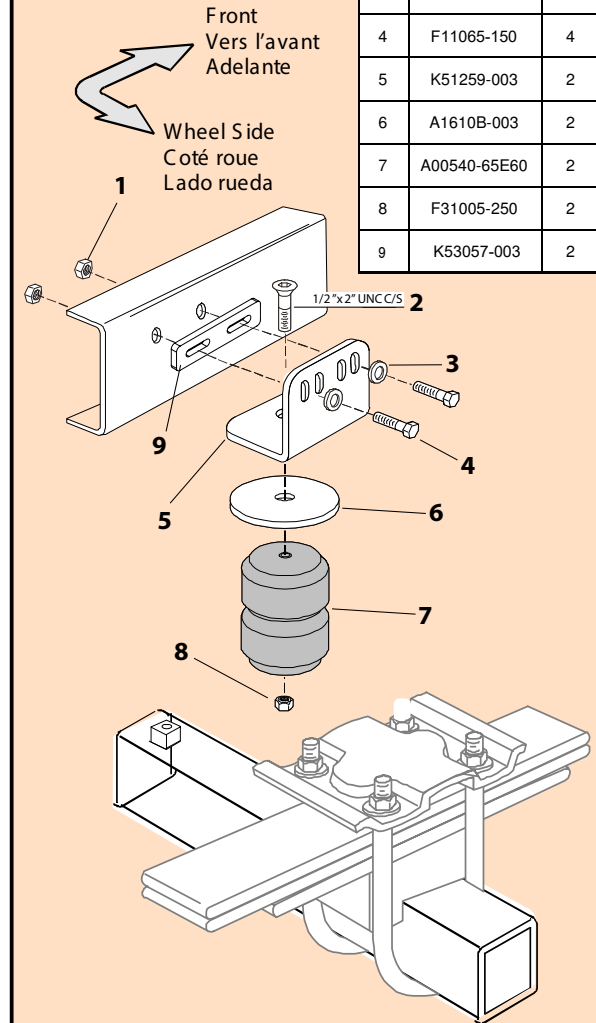
INSTRUCCIONES DE INSTALACIÓN

- Estacione el vehículo en un suelo firme y nivelado. Utilice calzos en las ruedas de ambos lados para evitar que se mueva.
- Levante parcialmente el vehículo sin permitir que el eje cuelgue libremente.
- Retire el conjunto de tope de impacto existente.
- Ensamble el resorte de goma y el soporte del Aeon como se muestra en el diagrama adyacente. Use una placa espaciadora si es necesario para asegurarse de que no haya interferencia entre el resorte de goma Aeon y otros componentes del vehículo.
- Monte el ensamblaje de Timbren utilizando los orificios existentes y los sujetadores provistos por Timbren.
- Bajar vehículo.

Altura total: 5 3/4"

No exceda la carga nominal en el eje recomendada por el fabricante del vehículo. Compruebe que no haya interferencia entre el resorte AEON[®] y los otros componentes del vehículo. Bajo carga, el resorte AEON[®] se ampliará en diámetro.

Ref	Part	Qty
1	F31003-150	4
2	F12104-253	2
3	F40031-020	4
4	F11065-150	4
5	K51259-003	2
6	A1610B-003	2
7	A00540-65E60	2
8	F31005-250	2
9	K53057-003	2

**TIMBREN**

Clearance Instructions

Front SES kits are usually in full contact.

Rear SES kits for Light Duty Trucks and Cube Vans should have 1/2" to 1-1/2" gap between rubber spring and contact point when empty.

Partial load, or vehicle accessories will reduce or eliminate gap.

Medium and Heavy-Duty Trucks, Trailers and Motorhomes will be in constant contact, and have no gap.

Lifetime Warranty

Timbren SES - Suspension Enhancement Systems kits are warranted against defects in material and workmanship, under normal use and service, for the life of the vehicle on which the kit was originally installed. The warranty is non-transferable and proof of the date of purchase and purchaser is required.

This warranty is limited to the replacement of the failed parts and does not include labor, freight, collateral damage or ancillary costs which may arise as a result of the failed part. For vehicles subjected to exceptionally high use and service, the warranty is limited to the lesser of 5 years (from date of purchase) or 400,000 km (approx. 250,000 miles).

Timbren retains the right to make its own inspection of the failed part to determine the validity of the claim. Timbren shall not be liable nor warrant the product in the event of alteration, misuse, overload, negligence nor damage caused by others

100 Day Money Back Guarantee

Timbren Industries offers a 100 Day Money Back Guarantee on all our SES and Active Off-Road Bumpstop products. If our product does not do what we claim it can do call our expert Customer Service Team. 1-800-263-3113 or email sales@timbren.com. Our team will do they're absolute best to resolve your issue and get you towing and hauling like the pros or your money back.

