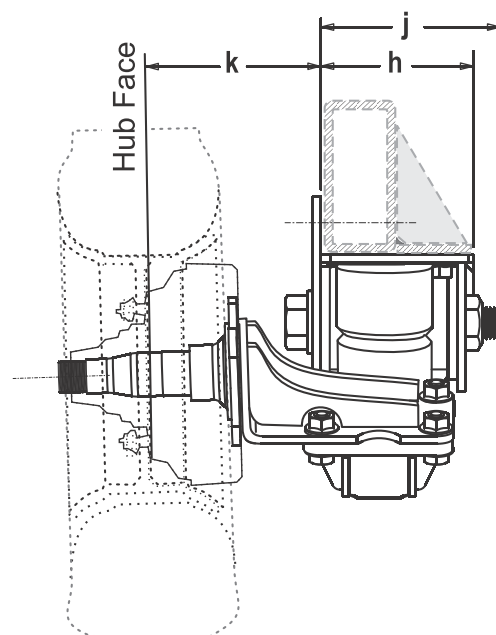
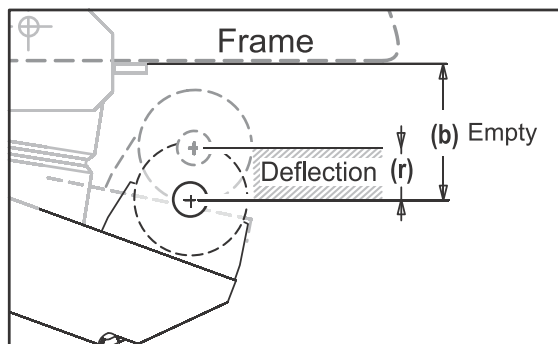
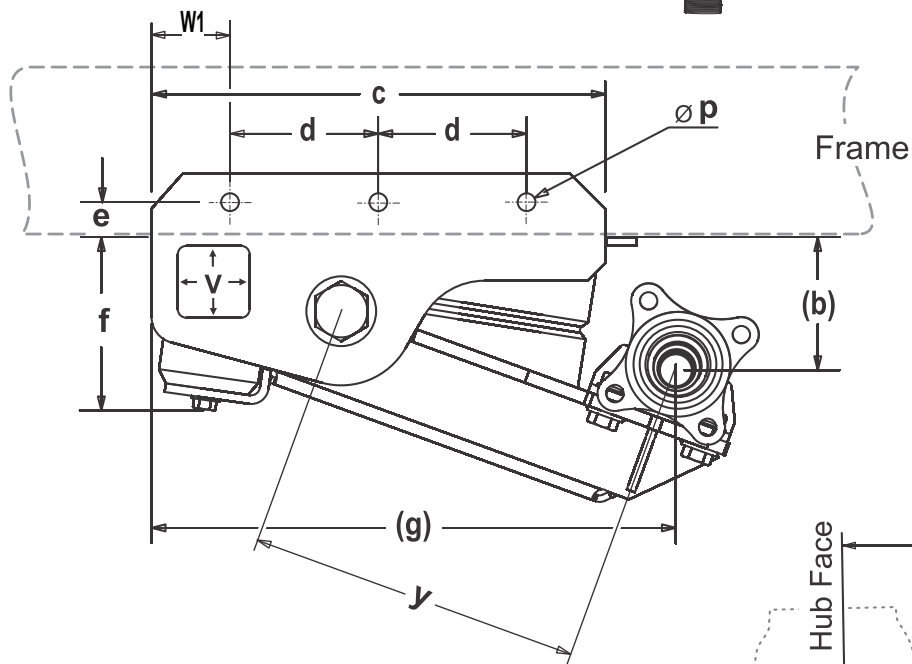
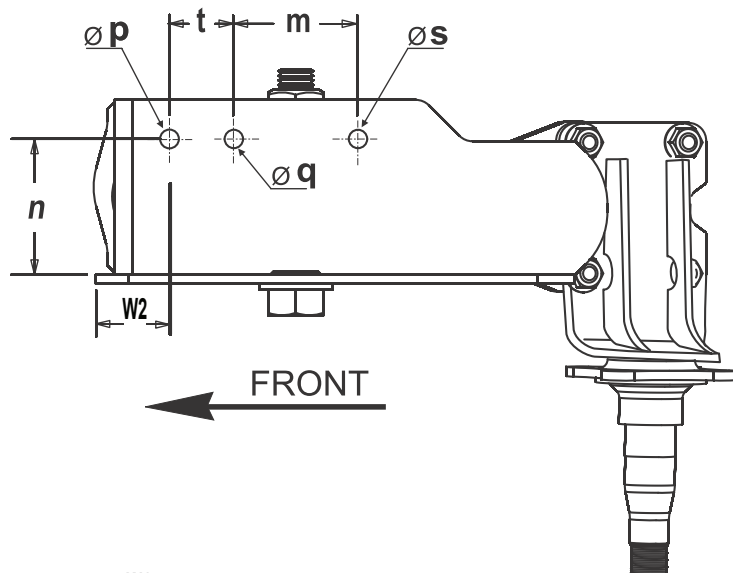


# IMPERIAL

## Dimensions



# AXLE-LESS

## TRAILER SUSPENSIONS

Dimensions & Specifications  
 For all models  
 1200, 2000, 3500, 5200 & 7000 Lbs.  
 & 1000 kg ( 1Tonne)

Models	Dimensions (")																				Ship. Weight (lbs)																			
	(b)	(r)	c	d	e	(f)	(g)	h	j	k	m	n	p	q	s	t	v	w1	w2	y																				
<b>1200 lbs. capacity</b>																																								
ASR1200S02	3 1/2	2 1/4	11 3/8	3 3/4 (x2)	1	5	13 13/16	3 7/8	4 5/8	4 7/8	-	3 1/8	1/2	1/2 UNC	-	3 3/4	2 x 2	1 15/16	1 15/16	9	55																			
ASR1200S04										6											57																			
<b>2000 lbs. capacity</b>																																								
ASR2000S01	3 7/8	2 7/16	11 3/8	3 3/4 (x2)	1	5	13 3/4	3 7/8	4 5/8	4 7/8	-	3 1/8	1/2	1/2 UNC	-	3 3/4	2 x 2	1 15/16	1 15/16	9	55																			
ASR2000S02										6											57																			
<b>2000 lbs. HD capacity</b>																																								
ASR2KHDS01	3 13/16	1 5/8	13	4 1/4 (x2)	1	5	13 11/16	4 3/4	5 5/8	15	3 3/8	3 11/16	1/2	1/2 (UNC)	1/2 (UNC)	1 3/4	2 x 2	2 1/4	2	9 9/16	6	88																		
ASR2KHDS02	3 13/16									15											8 1/2	87																		
ASR2KHDS03	7 1/2									13 11/16											8 1/2	98																		
ASR2KHDS04	7 1/2									13 11/16											6	95																		
ASR2KHDS05	0									16 1/2											6	96																		
ASR2KHDS09	0									16 1/2											8 1/2	101																		
ASR2KHDS12	7 1/2									13 11/16											8 7/16	102																		
ASR2KHDS13	5 11/16									14 5/16											5 15/16	99																		
ASR2KHDS14	3 13/16									15											5 13/16	110																		
<b>1 Tonne HD capacity</b>																																								
ASR1THDS01	5 5/16	3 3/8	13	4 1/4 (x2)	1	5	20 9/16	4 3/4	5 5/8	19 3/16	3 3/8	3 11/16	1/2	1/2 (UNC)	1/2 (UNC)	1 3/4	2 x 2	2 1/4	2	14	6	100																		
ASR1THDS02	5 5/16									19 3/16											8 1/2	99																		
ASR1THDS03	9 1/8									17 13/16											8 1/2	110																		
ASR1THDS04	9 1/8									17 13/16											6	107																		
ASR1THDS05	1 5/8									20 9/16											6	108																		
ASR1THDS09	1 5/8									20 9/16											8 1/2	113																		
ASR1THDS12	9 1/8									17 13/16											8 7/16	114																		
ASR1THDS13	7 1/4									18 1/2											5 15/16	111																		
ASR1THDS14	5 5/16									19 3/16											5 13/16	122																		
<b>3500 lbs. capacity</b>																																								
ASR3500S04	0									1 3/4											13	4 1/4 (x2)	1	5	13 11/16	4 3/4	5 5/8	16 1/2	3 3/8	3 11/16	1/2	1/2 UNC	1/2 UNC	1 3/4	2 x 2	2 1/4	2	9 9/16	6	96
ASR3500S05	3 13/16																											15											6	88
ASR3500S06	7 1/2																											13 11/16											6	95
ASR3500S07	7 1/2																											13 11/16											8 1/2	102
ASR3500S08	5 11/16	14 5/16	5 15/16	99																																				
<b>3500 lbs. HD capacity</b>																																								
ASR35HDS01	3 1/2	2 5/8	14 9/16	5 (x2)	1 1/2	6 1/4	16 15/16	5 3/4	5 5/8	17 1/2	3 1/4	5 1/4	5/8	5/8	5/8	2 1/4	2 x 3	3 5/16	2 1/16	11 3/8	8	146																		
ASR35HDS02	7 5/16									16 3/8											8	152																		
ASR35HDS03	- 3/8									18 5/8											6 1/4	205																		
ASR35HDS04	3 1/2									17 1/2											6 1/4	145																		
ASR35HDS05	7 5/16									16 3/8											6 11/16	152																		
ASR35HDS06	5 3/8									16 15/16											8	146																		
ASR35HDS07	5 3/8									16 15/16											6 1/4	146																		
ASR35HDS08	7 3/8									16 15/16											8	145																		
ASR35HDS09	5 7/16									16 7/8											6 1/4	144																		
ASR35HDS11	- 3/8									18 5/8											8	158																		
ASR35HDS12	5 7/16									16 15/16											6 1/4	184																		

The dimensions provided in this document can only be used as reference. They are subject to manufacturing tolerances, subject to load, and subject to design changes (without notice); customers are advised not to start drilling holes in the frame before receiving the actual product.

# AXLE-LESS

## TRAILER SUSPENSIONS

Dimensions & Specifications  
 For all models  
 1200, 2000, 3500, 5200 & 7000 Lbs.  
 & 1000 kg ( 1Tonne)

Models	Dimensions (")																				Ship. Weight (lbs)	
	(b)	(r)	c	d	e	(f)	(g)	h	j	k	m	n	p	q	s	t	v	w1	w2	y		
<b>5200 lbs. capacity</b>																						
ASR5200S01	3 1/2																				145	
ASR5200S03	7 5/16	2 3/4	14 9/16	5 (x2)	1 1/2	6 1/4	17 1/2	5 3/4	5 5/8	6 1/4	3 1/4	5 1/4	5/8	5/8	5/8	2 1/4	2 x 3	3 5/16	2 1/16	11 3/8	152	
ASR5200S04	- 3/8						16 3/8			6 11/16											6 1/4	205
ASR5200S05	5 1/2						18 5/8			6 1/4											146	
<b>5200 lbs. HD capacity</b>																						
ASR52HDS01	4	2	14 9/16	5 (x2)	1 1/2	6 3/16	17 1/2	6 3/4	6 3/4	6 1/4	3 1/4	6 1/4	5/8	5/8	5/8	2 1/4	2 x 3	3 5/16	2 1/16	11 3/8	178	
ASR52HDS03	7 3/4						16 1/8			6 11/16											181	
ASR52HDS04	7 3/4						16 1/8			8											181	
ASR52HDS05	4						17 1/2			8											182	
ASR52HDS06	4						17 1/2			7 13/16											171	
<b>7000 lbs. capacity</b>																						
ASR7KS01	3 1/2	1 7/8	14 9/16	5 (x2)	1 1/2	6 1/4	17 1/2	5 3/4	5 3/4	6 1/4	3 1/4	5 1/4	5/8	5/8	5/8	2 1/4	2 x 3	3 5/16	2 1/16	11 3/8	158	
ASR7KS02	- 3/8	2 1/2					18 5/8														205	
<b>7000 lbs. HD capacity</b>																						
ASR7KHDS01	4	2 1/8	14 9/16	5 (x2)	1 1/2	6 3/16	17 1/2	6 3/4	6 3/4	6 1/4	3 1/4	6 1/4	5/8	5/8	5/8	2 1/4	2 x 3	3 5/16	2 1/16	11 3/8	178	
ASR7KHDS03	7 3/4						16 1/8			6 11/16											181	
ASR7KHDS04	7 3/4						16 1/8			8											181	
ASR7KHDS05	4						17 1/2			8											182	

The dimensions provided in this document can only be used as reference. They are subject to manufacturing tolerances, subject to load, and subject to design changes (without notice); customers are advised not to start drilling holes in the frame before receiving the actual product.