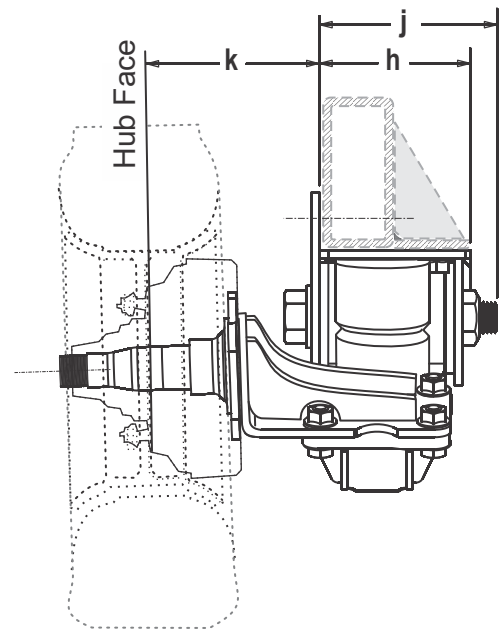
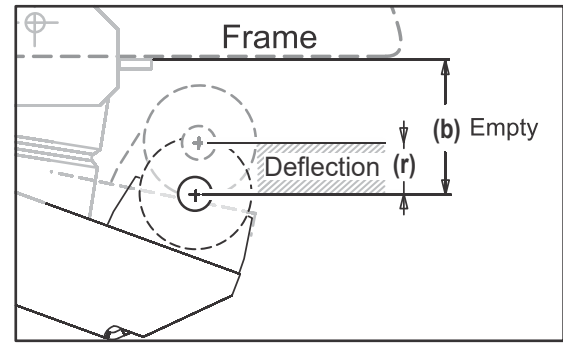
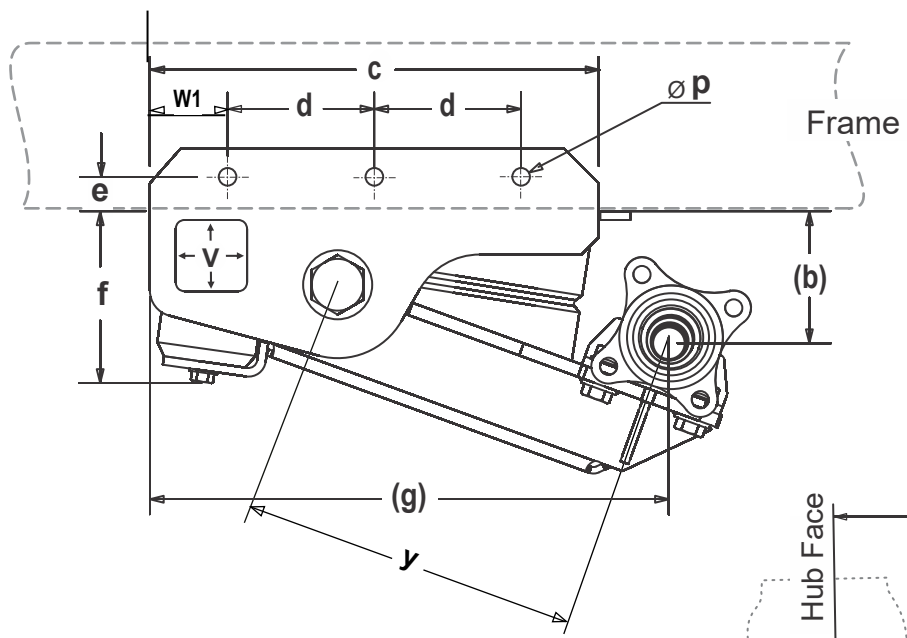
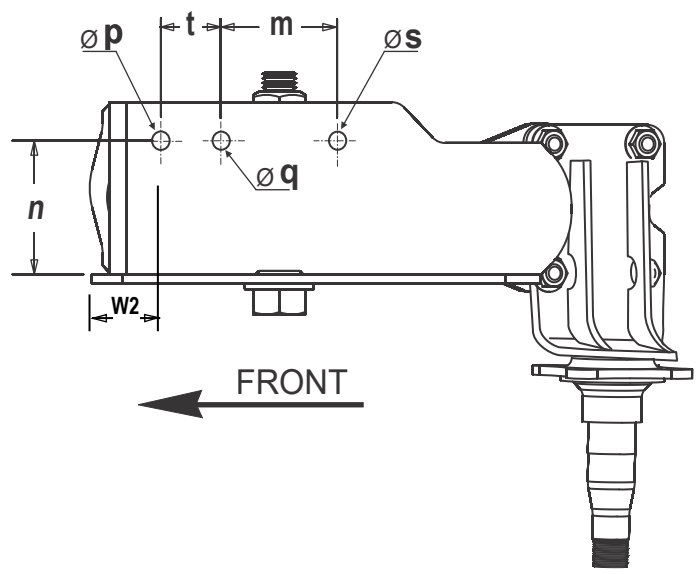


**T R A I L E R**  
**AXLE-LESS**  
**S U S P E N S I O N S**

Dimensions & Specifications  
 For all models  
 540, 910, 1000, 1590, 2360, 3180 kg  
 1200, 2000, 2200, 3500, 5200 & 7000 Lbs)

**METRIC**  
 Dimensions



# AXLE-LESS

## TRAILER SUSPENSIONS

Dimensions & Specifications  
 For all models  
 540, 910, 1000, 1590, 2360, 3180 kg  
 1200, 2000, 2200, 3500, 5200 & 7000 Lbs)

| Models                     | Dimensions (mm) |     |     |        |    |     |     |     |     |     |    |     |    |          |          |    |         |    |    |     | Ship. Weight (kg) |
|----------------------------|-----------------|-----|-----|--------|----|-----|-----|-----|-----|-----|----|-----|----|----------|----------|----|---------|----|----|-----|-------------------|
|                            | (b)             | (r) | c   | d      | e  | (f) | (g) | h   | j   | k   | m  | n   | p  | q        | s        | t  | v       | w1 | w2 | y   |                   |
| <b>540 kg capacity</b>     |                 |     |     |        |    |     |     |     |     |     |    |     |    |          |          |    |         |    |    |     |                   |
| ASR1200S02                 |                 |     |     |        |    |     |     |     |     | 124 |    |     |    |          |          |    |         |    |    |     | 25                |
| ASR1200S04                 | 89              | 57  | 289 | 95 x2  | 25 | 127 | 351 | 98  | 117 | 152 | -- | 79  | 13 | 1/2" UNC | --       | 95 | 51 x 51 | 49 | 49 | 229 | 26                |
| <b>910 kg capacity</b>     |                 |     |     |        |    |     |     |     |     |     |    |     |    |          |          |    |         |    |    |     |                   |
| ASR2000S01                 |                 |     |     |        |    |     |     |     |     | 124 |    |     |    |          |          |    |         |    |    |     | 25                |
| ASR2000S02                 | 98              | 62  | 289 | 95 x2  | 25 | 127 | 349 | 98  | 117 | 152 | -- | 79  | 13 | 1/2" UNC | --       | 95 | 51 x 51 | 49 | 49 | 229 | 26                |
| <b>910 kg HD capacity</b>  |                 |     |     |        |    |     |     |     |     |     |    |     |    |          |          |    |         |    |    |     |                   |
| ASR2KHDS01                 | 97              |     |     |        |    |     |     |     |     | 152 |    |     |    |          |          |    |         |    |    |     | 40                |
| ASR2KHDS02                 | 97              |     |     |        |    |     |     |     |     | 216 |    |     |    |          |          |    |         |    |    |     | 40                |
| ASR2KHDS03                 | 191             |     |     |        |    |     |     |     |     | 216 |    |     |    |          |          |    |         |    |    |     | 45                |
| ASR2KHDS04                 | 191             |     |     |        |    |     |     |     |     | 152 |    |     |    |          |          |    |         |    |    |     | 44                |
| ASR2KHDS05                 | 0               | 41  | 330 | 108 x2 | 25 | 127 | 419 | 121 | 143 | 152 | 86 | 94  | 13 | 1/2" UNC | 1/2" UNC | 45 | 51 x 51 | 57 | 51 | 243 | 44                |
| ASR2KHDS09                 | 0               |     |     |        |    |     | 419 |     |     | 216 |    |     |    |          |          |    |         |    |    |     | 46                |
| ASR2KHDS12                 | 191             |     |     |        |    |     | 348 |     |     | 214 |    |     |    |          |          |    |         |    |    |     | 47                |
| ASR2KHDS13                 | 144             |     |     |        |    |     | 364 |     |     | 151 |    |     |    |          |          |    |         |    |    |     | 45                |
| ASR2KHDS14                 | 97              |     |     |        |    |     | 381 |     |     | 148 |    |     |    |          |          |    |         |    |    |     | 50                |
| <b>1 Tonne HD capacity</b> |                 |     |     |        |    |     |     |     |     |     |    |     |    |          |          |    |         |    |    |     |                   |
| ASR1THDS01                 | 135             |     |     |        |    |     | 487 |     |     | 152 |    |     |    |          |          |    |         |    |    |     | 46                |
| ASR1THDS02                 | 135             |     |     |        |    |     | 487 |     |     | 216 |    |     |    |          |          |    |         |    |    |     | 45                |
| ASR1THDS03                 | 232             |     |     |        |    |     | 452 |     |     | 216 |    |     |    |          |          |    |         |    |    |     | 50                |
| ASR1THDS04                 | 232             |     |     |        |    |     | 452 |     |     | 152 |    |     |    |          |          |    |         |    |    |     | 49                |
| ASR1THDS05                 | 41              | 86  | 330 | 108 x2 | 25 | 127 | 522 | 121 | 143 | 152 | 86 | 94  | 13 | 1/2" UNC | 1/2" UNC | 45 | 51 x 51 | 57 | 51 | 356 | 50                |
| ASR1THDS09                 | 41              |     |     |        |    |     | 522 |     |     | 216 |    |     |    |          |          |    |         |    |    |     | 52                |
| ASR1THDS12                 | 232             |     |     |        |    |     | 452 |     |     | 214 |    |     |    |          |          |    |         |    |    |     | 52                |
| ASR1THDS13                 | 184             |     |     |        |    |     | 470 |     |     | 151 |    |     |    |          |          |    |         |    |    |     | 51                |
| ASR1THDS14                 | 135             |     |     |        |    |     | 487 |     |     | 148 |    |     |    |          |          |    |         |    |    |     | 56                |
| <b>1590 kg capacity</b>    |                 |     |     |        |    |     |     |     |     |     |    |     |    |          |          |    |         |    |    |     |                   |
| ASR3500S04                 | 0               |     |     |        |    |     | 419 |     |     | 152 |    |     |    |          |          |    |         |    |    |     | 44                |
| ASR3500S05                 | 97              |     |     |        |    |     | 381 |     |     | 152 |    |     |    |          |          |    |         |    |    |     | 40                |
| ASR3500S06                 | 191             | 44  | 330 | 108 x2 | 25 | 127 | 348 | 121 | 143 | 152 | 86 | 94  | 13 | 1/2" UNC | 1/2" UNC | 45 | 51 x 51 | 57 | 51 | 289 | 44                |
| ASR3500S07                 | 191             |     |     |        |    |     | 348 |     |     | 216 |    |     |    |          |          |    |         |    |    |     | 47                |
| ASR3500S08                 | 144             |     |     |        |    |     | 364 |     |     | 151 |    |     |    |          |          |    |         |    |    |     | 45                |
| <b>1590 kg HD capacity</b> |                 |     |     |        |    |     |     |     |     |     |    |     |    |          |          |    |         |    |    |     |                   |
| ASR35HDS01                 | 89              |     |     |        |    |     | 445 |     |     | 203 |    |     |    |          |          |    |         |    |    |     | 67                |
| ASR35HDS02                 | 186             |     |     |        |    |     | 416 |     |     | 203 |    |     |    |          |          |    |         |    |    |     | 70                |
| ASR35HDS03                 | -10             |     |     |        |    |     | 473 |     |     | 159 |    |     |    |          |          |    |         |    |    |     | 81                |
| ASR35HDS04                 | 89              |     |     |        |    |     | 445 |     |     | 159 |    |     |    |          |          |    |         |    |    |     | 66                |
| ASR35HDS05                 | 186             |     |     |        |    |     | 416 |     |     | 170 |    |     |    |          |          |    |         |    |    |     | 70                |
| ASR35HDS06                 | 137             | 67  | 370 | 127 x2 | 38 | 159 | 430 | 146 | 143 | 203 | 83 | 133 | 16 | 16       | 16       | 57 | 51 x 76 | 84 | 52 | 289 | 67                |
| ASR35HDS07                 | 137             |     |     |        |    |     | 430 |     |     | 159 |    |     |    |          |          |    |         |    |    |     | 67                |
| ASR35HDS08                 | 187             |     |     |        |    |     | 430 |     |     | 203 |    |     |    |          |          |    |         |    |    |     | 69                |
| ASR35HDS09                 | 138             |     |     |        |    |     | 429 |     |     | 159 |    |     |    |          |          |    |         |    |    |     | 66                |
| ASR35HDS11                 | -10             |     |     |        |    |     | 473 |     |     | 203 |    |     |    |          |          |    |         |    |    |     | 72                |
| ASR35HDS12                 | 138             |     |     |        |    |     | 430 |     |     | 159 |    |     |    |          |          |    |         |    |    |     | 84                |

The dimensions provided in this document can only be used as reference. They are subject to manufacturing tolerances, subject to load, and subject to design changes (without notice); customers are advised not to start drilling holes in the frame before receiving the actual product.

# AXLE-LESS

## TRAILER SUSPENSIONS

Dimensions & Specifications  
 For all models  
 540, 910, 1000, 1590, 2360, 3180 kg  
 (1200, 2000, 2200, 3500, 5200 & 7000 Lbs)

| Models                     | Dimensions (mm) |     |     |        |    |     |     |     |     |     |    |     |    |    |    |    |         |    |    |     | Ship. Weight (kg) |
|----------------------------|-----------------|-----|-----|--------|----|-----|-----|-----|-----|-----|----|-----|----|----|----|----|---------|----|----|-----|-------------------|
|                            | (b)             | (r) | c   | d      | e  | (f) | (g) | h   | j   | k   | m  | n   | p  | q  | s  | t  | v       | w1 | w2 | y   |                   |
| <b>2360 kg capacity</b>    |                 |     |     |        |    |     |     |     |     |     |    |     |    |    |    |    |         |    |    |     |                   |
| ASR5200S01                 | 89              |     |     |        |    |     | 445 |     |     | 159 |    |     |    |    |    |    |         |    |    |     | 66                |
| ASR5200S03                 | 186             |     |     |        |    |     | 416 |     |     | 170 |    |     |    |    |    |    |         |    |    |     | 70                |
| ASR5200S04                 | -10             | 70  | 370 | 127 x2 | 38 | 159 | 473 | 146 | 143 | 159 | 83 | 133 | 16 | 16 | 16 | 57 | 51 x 76 | 84 | 52 | 289 | 94                |
| ASR5200S05                 | 140             |     |     |        |    |     | 473 |     |     | 159 |    |     |    |    |    |    |         |    |    |     | 67                |
| <b>2360 kg HD capacity</b> |                 |     |     |        |    |     |     |     |     |     |    |     |    |    |    |    |         |    |    |     |                   |
| ASR52HDS01                 | 102             |     |     |        |    |     | 445 |     |     | 159 |    |     |    |    |    |    |         |    |    |     | 71                |
| ASR52HDS03                 | 197             |     |     |        |    |     | 410 |     |     | 170 |    |     |    |    |    |    |         |    |    |     | 72                |
| ASR52HDS04                 | 197             | 51  | 370 | 127 x2 | 38 | 157 | 410 | 171 | 171 | 203 | 83 | 159 | 16 | 16 | 16 | 57 | 51 x 76 | 84 | 52 | 289 | 72                |
| ASR52HDS05                 | 102             |     |     |        |    |     | 445 |     |     | 203 |    |     |    |    |    |    |         |    |    |     | 72                |
| ASR52HDS06                 | 102             |     |     |        |    |     | 445 |     |     | 198 |    |     |    |    |    |    |         |    |    |     | 75                |
| <b>3180 kg capacity</b>    |                 |     |     |        |    |     |     |     |     |     |    |     |    |    |    |    |         |    |    |     |                   |
| ASR7KS01                   | 89              | 48  |     |        |    |     | 445 |     |     | 159 |    |     |    |    |    |    |         |    |    |     | 72                |
| ASR7KS02                   | -10             | 64  | 370 | 127 x2 | 38 | 159 | 473 | 146 | 146 | 159 | 83 | 133 | 16 | 16 | 16 | 57 | 51 x 76 | 84 | 52 | 289 | 94                |
| <b>3180 kg HD capacity</b> |                 |     |     |        |    |     |     |     |     |     |    |     |    |    |    |    |         |    |    |     |                   |
| ASR7KHS01                  | 102             |     |     |        |    |     | 445 |     |     | 159 |    |     |    |    |    |    |         |    |    |     | 71                |
| ASR7KHS03                  | 197             |     |     |        |    |     | 410 |     |     | 170 |    |     |    |    |    |    |         |    |    |     | 72                |
| ASR7KHS04                  | 197             | 54  | 370 | 127 x2 | 38 | 157 | 410 | 171 | 171 | 203 | 83 | 159 | 16 | 16 | 16 | 57 | 51 x 76 | 84 | 52 | 289 | 72                |
| ASR7KHS05                  | 102             |     |     |        |    |     | 445 |     |     | 203 |    |     |    |    |    |    |         |    |    |     | 72                |

The dimensions provided in this document can only be used as reference. They are subject to manufacturing tolerances, subject to load, and subject to design changes (without notice); customers are advised not to start drilling holes in the frame before receiving the actual product.