

**ABSTORTNDR****TOYOTA**

Rear suspension package  
Ensemble pour suspension arrière  
Ensemble para suspensión de trasero

Ref. = Reference = No. de référence = Núm. de referencia  
Part = Part #. = No. de pièce = Núm. de pieza  
Qty. = Quantity = Quantité = Cantidad

**INSTALLATION INSTRUCTIONS**

- Partially raise vehicle not allowing the axle to hang freely.
- Remove existing bump stop assembly & retain fasteners.
- Assemble Aeon rubber spring and bracket as shown in the adjacent diagram. Tighten fasteners until snug.
- Mount Timbren assembly using OEM fasteners. Tighten fasteners until snug.
- Lower vehicle.

**NOTES:**

When removing OEM fasteners, use penetrating fluid.

Overall Height: 4.5"

Do not exceed vehicle manufacturer's recommended weight rating. Check for AEON® spring interference with vehicle components. Under load AEON® spring will "expand" in diameter.

**INSTRUCTIONS DE MONTAGE**

- Soulever le véhicule de sorte que l'essieu soit dégagé.
- Retirer l'assemblage de la butée de suspension existante et conserver la boulonnerie.
- Assemblez le ressort en caoutchouc Aeon et le support comme indiqué dans le schéma ci-contre. Serrez les attaches jusqu'à ce qu'elles soient bien serrées.
- Monter l'assemblage Timbren en utilisant la boulonnerie du fabricant d'équipement. Serrez les attaches jusqu'à ce qu'elles soient bien serrées.
- Redescendre le véhicule.

**REMARQUES:**

Lors du retrait des fixations OEM, utilisez du liquide pénétrant.

Hauteur totale: 4.5"

Ne pas dépasser le poids nominal sur l'essieu recommandé par le fabricant du véhicule. Vérifier que le ressort AEON® n'a pas d'incidence sur d'autres pièces du véhicule - Le ressort AEON® augmentera son diamètre avec la charge.

**INSTRUCCIONES DE INSTALACIÓN**

- Levante el vehículo dejando que los ejes cuelguen libremente.
- Retire la unidad del tope de suspensión existente y los pasadores de retención.
- Ensamble el resorte de goma y el soporte del Aeon como se muestra en el diagrama adyacente. Apriete los sujetadores hasta que queden ajustados.
- Monte la unidad Timbren utilizando elementos de sujeción del fabricante original de equipo. Apriete los sujetadores hasta que queden ajustados.
- Baje el vehículo.

**NOTAS:**

Al retirar los sujetadores OEM, use líquido penetrante.

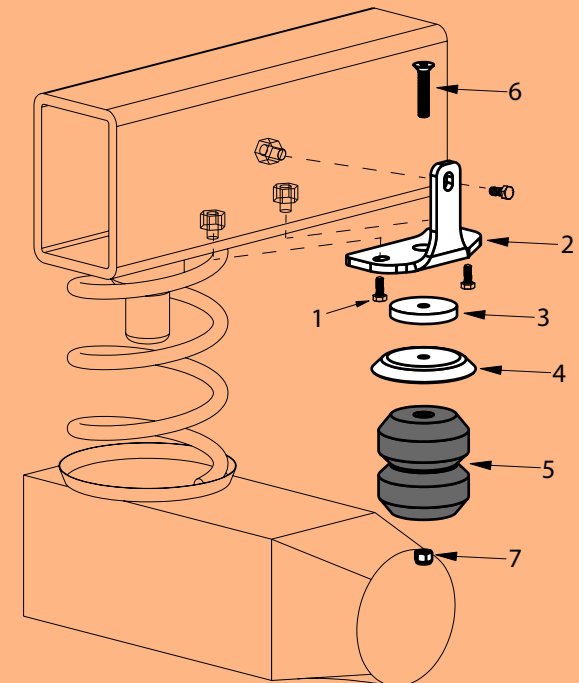
Altura total: 4.5"

No exceda la carga nominal en el eje recomendada por el fabricante del vehículo. Compruebe que no haya interferencia entre el resorte AEON® y los otros componentes del vehículo. Bajo carga, el resorte AEON® se ampliará en diámetro.

REF	Part	Qty
1	OEM	6
2	K51422-003	1L - 1R
3	A16251-003	2
4	A1602B-003	2
5	A00515-65P30	2
6	F12065-653	2
7	F31003-250	2

Front  
Vers l'avant  
Adelante

Wheel Side  
Côté roue  
Lado rueda

**TIMBREN**

## **Lifetime Warranty**

Timbren SES - Suspension Enhancement Systems kits are warranted against defects in material and workmanship, under normal use and service, for the life of the vehicle on which the kit was originally installed. The warranty is non-transferable and proof of the date of purchase and purchaser is required.

This warranty is limited to the replacement of the failed parts and does not include labor, freight, collateral damage or ancillary costs which may arise as a result of the failed part. For vehicles subjected to exceptionally high use and service, the warranty is limited to the lesser of 5 years (from date of purchase) or 400,000 km (approx. 250,000 miles).

Timbren retains the right to make its own inspection of the failed part to determine the validity of the claim. Timbren shall not be liable nor warrant the product in the event of alteration, misuse, overload, negligence nor damage caused by others

## **100 Day Money Back Guarantee**

Timbren Industries offers a 100 Day Money Back Guarantee on all our SES and Active Off-Road Bumpstop products. If our product does not do what we claim it can do call our expert Customer Service Team. 1-800-263-3113 or email [sales@timbren.com](mailto:sales@timbren.com). Our team will do they're absolute best to resolve your issue and get you towing and hauling like the pros or your money back.

