



LEGEND
EBIKES

MONZA

URBAN SMART EBIKES

ETNA MANUAL AND WARRANTY
PAGE 3 - 27

GUIDE D'UTILISATION ET GARANTIE
PAGE 29 - 53

BENUTZERHANDBUCH UND GARANTIE
PAGE 55-79

MANUAL DE USUARIO Y GARANTÍA
PAGE 81 - 105

Congratulations on the purchase of your new **LEGEND MONZA SMART EBIKE**. In this manual you will find the information you need to enjoy your electric bicycle safely. If you have any questions, please do not hesitate to contact us via your nearest point of sale or directly at www.legendebikes.com

Bicycles bearing the **LEGEND EBIKES** trademark and their components meet the following legal conditions, according to the European standard **EN 15194:2017** for **EPAC** (Electrically Power Assisted Cycles):

1. Motor assist is provided only when pedalling.
2. Pedal assist is limited to **25 km/h**.
3. The nominal power provided by the assist is **250W**, maximum.

If these conditions are met, **there is no need for any kind of licence or registration** to drive this vehicle on public roads. LEGEND EBIKES also comply with the legislation in force both nationally and at European level:

- Directive 2002/24/EC
- Directive 2004/108/EC
- Directive 2006/42/EC



[EN]

This manual contains warning messages and recommendations.



ATTENTION!

Messages written in this format contain instructions critical to safety and proper use.

Disregarding them may cause harm and damage. The manual and its contents are current at the time of writing and printing. LEGEND EBIKES reserves the right to modify it without notice.

CONTENTS_

| | |
|--|------------|
| SAFETY | Page 6 |
| PRELIMINARY SAFETY CHECKS | Page 6-7 |
| ROAD SAFETY | Page 8-9 |
| USE IN RAIN | Page 9 |
| NIGHT USE | Page 9 |
| BICYCLE PARTS | Page 10 |
| TECHNICAL SPECIFICATIONS SHEET | Page 11 |
| GETTING STARTED | Page 12 |
| SETTING THE SADDLE HEIGHT | Page 12 |
| ASSEMBLING THE PEDALS | Page 13 |
| CHARGING THE BATTERY | Page 14 |
| TURNING ON THE BIKE | Page 15 |
| HOW TO FOLD YOUR ELECTRIC BICYCLE | Page 16-17 |
| BATTERY REMOVAL | Page 18 |
| FIRST USE | Page 19 |
| MAINTENANCE | Page 20 |
| BATTERY MAINTENANCE | Page 21 |
| MOTOR MAINTENANCE | Page 21 |
| ELECTRONICS MAINTENANCE | Page 22 |
| PERIODICAL MAINTENANCES & ITEMS TO CHECK (CHART) | Page 22-23 |
| WARRANTY CONDITIONS | Page 24 |
| 1. REGULATION AND TERRITORY | Page 24 |
| 2. WARRANTY TERM | Page 24 |
| 3. WARRANTY COVERAGE | Page 24-25 |
| 4. WARRANTY APPLICATION | Page 26 |
| 5. WARRANTY EXCLUSIONS | Page 26-27 |

SAFETY_

Read **this manual completely** and familiarise yourself with it before using your electric bike **LEGEND MONZA SMART EBIKE** for the first time.

Like any outdoor activity, cycling involves a **risk of injury and accidents**. In addition, as the vehicle has an electrical component, this risk may be higher.

When you choose to drive an electric bike, you assume responsibility for that risk. Therefore, **you need to know the rules of safe and responsible driving**, as well as proper use and maintenance. Clearly, this will reduce the risk of accidents.

This electric bicycle is only **intended for use by adults**. As a parent or guardian, **you are responsible for the activities and safety of minors** in your care. This includes making sure that the minor can use and control all functions of the bicycle and, of course, fully understands all parts of this manual.

PRELIMINARY CHECKS

[EN]

Check the condition of your bicycle before each use.

- 1. Nuts and bolts:** Make sure nothing is loose.
- 2. Tyres and wheels:** Make sure that the tyres are inflated to the proper pressure (the correct pressure is indicated on the sidewall of the tyre) and in good condition. Turn each wheel slowly searching for cuts in the tyre.
- 3. Brakes:** Make sure the brakes are working properly, that there are no mismatches in their movements and that the pads are not worn or incorrectly positioned. Check that the cables are lubricated, tight and are not damaged. The brake levers must be firmly attached to the handlebars.
- 4. Fittings:** Make sure that the seat post is securely fastened and adjusted as well as the lockouts on the folding hinges, if necessary.

- 5. Alignment of saddle and handlebars:** Make sure the saddle and handlebars base are parallel to the centreline of the bike frame.
- 6. Handlebars grips:** Make sure the grips are in good condition.
- 7. Rack:** Make sure it is securely attached to the bike.
- 8. Charger:** Use only the original charger to charge the battery. If the battery is not used for a long period of time, store it in a cool, dry place and charge it at least once every two months.
- 9. Battery:** For your own safety, never place the battery near a heat source nor incinerate it. Do not place it near explosive or flammable materials during charging.
- 10. Electrical components:** Never disassemble the battery, motor, control unit or other components yourself. If a component needs to be replaced, contact the point of sales where you purchased your electric bicycle LEGEND EBIKES and, if possible, our technical service. Never tamper with the warranty seal of the components, or it will be voided.



If you purchased your LEGEND electric bicycle in an online store, the bike might be sent semi-assembled. We recommend that you go to a bike shop or professional workshop where they can adjust the derailleurs and the brakes (if they have not been previously) and ensure correct assembly of the parts with the minimum safety guarantees.

ROAD SAFETY

1. **Always wear** an approved **helmet**.
2. **Try to keep body parts and other objects away from the links of the chain, pedals, cranks and wheels in motion.**
3. **Always wear:**
 - Correctly fitting **shoes** that grip the pedal well. Never use your bike barefoot or in sandals.
 - Clear and **visible clothes** that are not loose-fitting since they could become entangled in the bicycle or snagged by objects at the side of the road.
 - It is highly recommended to wear **glasses** to protect your eyes. Tinted when the sun is shining, transparent when it is not.
4. Always drive at a **speed** appropriate to the conditions. As you know, increasing the speed increases the risk.
5. Observe the rules of the road. Remember you must also know all the **rules and regulations** governing the use of electric bicycles. The laws and ordinances usually vary from one municipality to another. It is your responsibility to know and comply with **local restrictions**.
6. **Never use headphones.** They mask traffic sounds and emergency vehicle sirens, distracting you from concentrating on what is happening around you. In addition, the wires can become entangled in moving parts of the bicycle, which can cause loss of control.
7. **Never carry anything which obstructs your view** or could affect control of the bike.
8. **Never hold on to another vehicle** to go faster.
9. **Do not exceed the maximum weight limit of the bicycle** or its components may be damaged or even broken.
10. **Replace any damaged component** or element before using the bike again. Proper bicycle maintenance and repairs should be assigned to an authorised point of sale.
11. **Do not attempt to jump** or perform “**wheelies**” as it can cause accidents and damage the bike.

12. Never drive your bicycle while under the influence of **alcohol or drugs**.

13. Avoid using the bicycle partially or completely **submerged in water**. Otherwise, the electronic components and elements may be damaged.

14. If possible, avoid driving on rainy days, when visibility is limited, at dusk and at night, or when experiencing extreme tiredness. These conditions increase the risk of accident.

USE IN RAIN

In rain, the **effectiveness of your brakes** (as with the brakes of other vehicles) is dramatically reduced and **your tyres do not have such good traction as when dry**. To ensure that you can reduce speed and stop safely in the rain, drive more slowly and use your brakes earlier and more gradually than if it were dry.



Rain affects traction, braking and the visibility of the cyclist and other road users who share the road. The risk of accident increases dramatically in these conditions. Be especially careful when driving your bicycle in extreme rain. Note that damage that occurs to the electrical system due to contact with water shall be considered as damage due to misuse, and therefore will not be covered by warranty.

[EN]

NIGHT USE

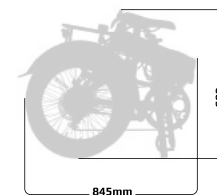
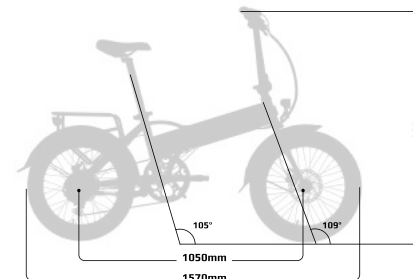
Driving a bicycle **at night is much more dangerous** than during the day. A cyclist is not easily seen by other drivers and pedestrians. Therefore, minors should never drive at dawn, dusk or late at night. Adults should do so only if necessary.



Make sure that the front and rear lights are working properly. Reflectors and retro-reflectors are installed to reflect light from the street and cars so that you will be recognised as a moving cyclist. Please note that reflective devices are not a substitute for lights.

BICYCLE PARTS_

1. iWoc®
2. Handlebars
3. Brake levers
4. Folding hinge
5. Front light
6. Front mudguard
7. Front wheel
8. Pedal
9. Chain wheel
10. Kickstand
11. Chain
12. Derailleur
13. Rear wheel
14. Motor
15. Rear mudguard
16. Rear light
17. Rear rack
18. Saddle
19. Controller (Internal)
20. Folding hinge
21. Battery



[EN]

TECHNICAL SPECIFICATIONS SHEET_



IP-65



100Km

KLICKfix®



19,5Kg

**FOLDING
FRAME**



20"



**HIDRAULIC
DISC**



Bluetooth™



25
Kph

| | |
|------------|---|
| MOTOR | 250W GEARED 1:4.5 Ratio 40Nm |
| SPEED | 25 Kph |
| BATTERY | 36V 10.4Ah Sanyo-Panasonic / 36V 14Ah Panasonic |
| SENSOR | 32 pulses BB integrated speed sensor |
| JOYSTICK | iWoc® Bluetooth SCI* by MAHLE Ebikemotion |
| CONNECTORS | HIGO IP67 Waterproof |
| RANGE | 60 - 100 Km** |
| CONTROLLER | SCU* by MAHLE Ebikemotion |
| FRAME | AL 6061 T6 Folding |
| LIGHTS | Spanninga Kendo+ 30 LUX |
| BRAKES | Hydraulic disc |
| DERAILLEUR | Shimano RD-FT35 6 Speeds |
| SADDLE | Velo 3061A |
| WEIGHT | 19.5 Kgs |
| COLOURS | Onyx Black / Steel Blue / Silver Grey |

*SCU (Smart Control Unit) SCI (Smart Control Interface). **Range according to battery amperage.

***ATTENTION: Some components may not exactly match the description or pictures (due to supply difficulties) and may be replaced by other components of equivalent or higher range.

[EN]

GETTING STARTED_

SETTING THE SADDLE HEIGHT

The height of the seat post can be easily adjusted by manual clamping and set to the desired height. The quick release system allows this operation to be carried out as many times as necessary without any effort. **The fixation must be firmly closed.**

Loosen the quick release



Set the saddle to the desired height



Tighten the quick release



It is important to ensure that the stem does not extend beyond the minimum insertion mark.

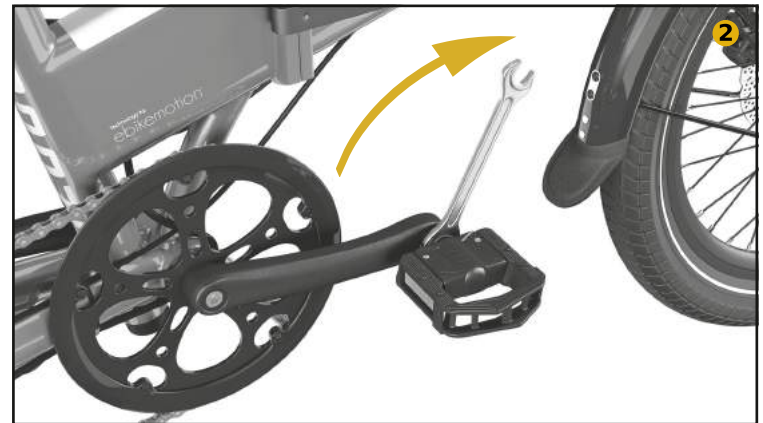
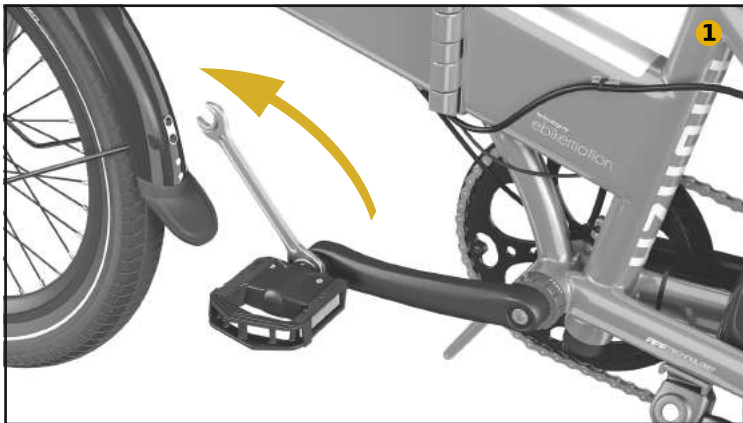
ASSEMBLING THE PEDALS

The pedals have a special adjustment system. When assembling them, **you should make sure you have selected the right pedal for its crank**: we place the right pedal on the right crank, indicated with the **letter R** (Right); and the left pedal on the left crank, indicated with the **letter L** (Left).

Check that the holes are free of obstacles and, if possible, add some grease. **Always** screw the pedals onto the cranks **in the direction of pedalling**. Try not to force the screw as it could damage the threads and make them unusable.

Use a 6mm Allen key or 15mm wrench to screw the pedals onto the cranks.

Recommended tightening torque: 35 Nm



GETTING STARTED_

CHARGING THE BATTERY

Before using your bike for the first time, you should charge the battery for **4 to 6 hours** using the included charger.

1. Connect the charger to the socket. You will notice that the charger **light turns green**, meaning that the unit is working properly.

2. Connect the charger to the battery. The charger **light turns red** while the battery is charging. Remember that you can charge your battery while it is inside the bicycle through the connector on the left side of the frame, or charge it off the bike if you prefer.

3. When the battery is **fully charged**, the charger light will return to the initial green colour.

4. To disconnect the charger, it is recommended **first to disconnect the battery and then the power socket.**

5. With the battery fully charged, the charging time is between 6 to 8 hours and will always be dependent on the use given to the bicycle.

6. Electricity consumption in each battery charge is from **288 to 504Wh** depending on battery model.

7. Do not cover the charger or the battery during the charging process.

Location of charging



Open de cover



Connect the charger



Use only the original charger to charge the battery, otherwise the battery and electronic devices will not be covered under warranty.

TURNING ON THE BIKE

Start by activating the **power button** on the bottom of the **battery** to provide power to the system. Remember to deactivate this button when not using your Legend MONZA for long periods of time.



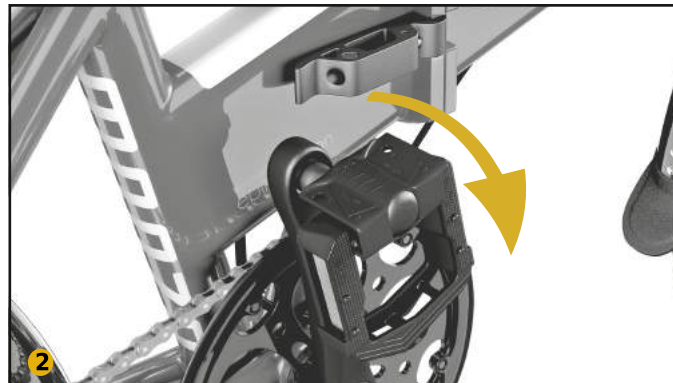
To start the electrical system of your bicycle, turn it on with the left middle button of the **iWoc**. To do this, press the **power button for 2 seconds**.



Download and consult the MAHLE Ebikemotion system manuals for detailed information on how they work. You can find them at www.legendebikes.com

FOLDING THE BICYCLE_

Fold the pedals inward

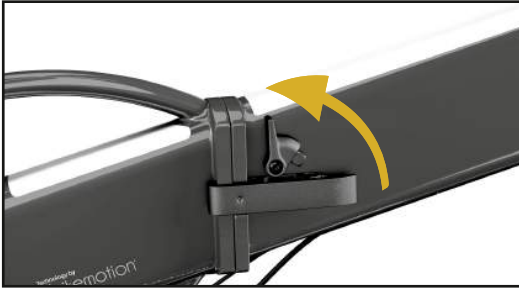


Loosen the quick release to lower the saddle



FOLDING THE BICYCLE_

- 1 Remove the folding lock



- 2 Open the hinge lock leveras shown in the picture



- 3 Now you can fold up the frame



Make sure that the hinge is fully closed and that the locking lever is correctly aligned before securing it with the latch. Properly adjusted, the lever closing force should be 4-8 KG (or 8.8-17.6 LB). Improper adjustment may damage the frame. If you detect any clearances in any of the seal parts, please contact qualified personnel.

- 1 Release the folding lock by lifting the double safety tab beforehand



- 2 Open the hinge lock as shown in the picture



[EN]

BATTERY REMOVAL_

1 Fold the frame by following



2 Turn the key 180°



3 You can now remove the battery



[EN]

Using an electric bicycle is similar to a non-electric one but with some notable differences. An electric bicycle is heavier and **takes longer to stop**. To use it, place yourself in a balanced position on the bike. Once you have put on your helmet and begin to make your first journey on your new bicycle, be sure to pick a controlled environment, away from cars, other cyclists, obstacles and unforeseen situations. Take advantage of these circumstances to become familiar with the controls and operation of your new eBike:



Make sure the battery is keylocked in the frame. Otherwise there is a risk that it will fall, and damage will not be covered under warranty.

- 1. Familiarise yourself with the brakes of the bicycle.** Try them at low speed, putting your weight toward the rear and squeezing the brake levers gently. Excessive application of the front brake can throw you over the handlebars.
- 2. Braking too hard can lock the wheel, causing a loss of control or even a fall.**
- 3. If your bike has suspension, familiarise** yourself with its response when applying the brakes and weight changes.
- 4. Check the handling and response** of the bike in general and also check the comfort.
- 5. Control the speed** of the bicycle by **using the brakes**.



The bike can accelerate quickly from the stop position and catch you by surprise. Make sure you always have enough space.

MAINTENANCE_

Clean, adjust, inflate and grease. This is the basic maintenance protocol of a conventional bike, and fully applicable to the case of an electric bicycle. It is very important to **check the bicycle after use to extend the life of the components.** We recommend that you carefully follow the following points:

- 1. Clean** all areas of the bike with rags or paper moistened with soap and water, but not with abrasive products such as alcohol or turpentine. An air compressor can be of great help.
- 2. Check** the condition of the **tyres** to ensure that they have no cuts, cracks or embedded objects such as rocks, glass or sticks.
- 3. Brake pads** must be close to the disk but not touching it; when activating the brake lever with little force, the brake must act instantly. The pads must be perfectly adjusted to avoid uneven braking and noise.
- 4. Cables** should not be too rigid because material might expand due to temperature variation and usage conditions and, if forced, it can weaken until breaking point.
- 5.** Make sure the **chain** runs without friction from elements external to its mechanism.
- 6.** Due to the vibrations received during use, we must periodically check the fit of **nuts and bolts**; mainly on the wheels, the saddle and the handlebars stem.
- 7. Grease** the bottom bracket bearings and wheel hubs.
- 8. Do not carry passengers or heavy objects** (rear rack load capacity: maximum 27 kg), they can damage the battery and motor.



Do not use pressurized water.

BATTERY MAINTENANCE

All LEGEND EBIKES are powered by **Lithium batteries**. To recharge the battery, connect the transformer to the current and the output jack to the battery in its sole position. The charge indicators notify that charging is complete when the transformer has a green light. **Besides recharging, these batteries do not require any other maintenance.** To prolong battery life, do not store the bike in areas where the temperature will drop **below 0°C or exceed 50°C**. To optimise the life of your battery, try to recharge it while respecting the following rules:

- 1. Do not wait until the battery is fully discharged to recharge it. Note that the more frequently you recharge your battery the better the performance you will get from it.**
- 2. Store at 50% level of charge.**
- 3. Store in a cool, dry place and charge at least once every two months.**
- 4. Try not to store the battery fully discharged or fully charged for long periods of time.**
- 5. Due to the natural self-discharge rate in the Lithium-Ion cells, you should check the charge level approximately every 2 months and, if necessary, charge for 30 minutes.**

[EN]

MOTOR MAINTENANCE

To optimise its performance follow these guidelines:

- 1. When used against a headwind or on a slope, try to help the motor by applying more force on pedalling.** This will prevent the motor and/or battery from heating up.
- 2. In rainy conditions, the bicycle should not be used on land where the water level covers the motor or controller.**

MAINTENANCE_

ELECTRICAL MAINTENANCE

The **controller** is installed inside the battery case, near the saddle. It is very important to consider the following points:

1. **Do not immerse in water.**
2. **Do not hit or open it.**



NOTE: In the event that the controller box is filled with water, turn off the general power immediately and pedal without electrical assistance until you are sure it is dry. Then, you can turn the assisted pedalling system back on.



Do not attempt to open the controller box. Any attempt to modify or adjust it will not be covered under warranty. Ask for assistance at your local LEGEND dealer or technical service.

[EN]

PERIODICAL MAINTENANCES & ITEMS TO CHECK (CHART)

It is important that you consult legendebikes.com in the **HELP/SUPPORT** section, to find out about the regular maintenance requirements of your bike.



Please note that failure to observe and/or carry out regular maintenance may result in the non-application of the warranty.

| Items to check | Odometer reading / time interval (whatever happens first) | | | | |
|---|---|-------------------------------|---------------------------------|---------------------------------|---------------------------------|
| | Before each trip | 1000 Km/600 mi or 6 months | 2000 Km/1200 mi or 12 months | 3000 Km/1800 mi or 18 months | 4000 Km/2400 mi or 24 months |
| Folding Lever Adjustment <ul style="list-style-type: none"> • Tighten the folding lever to 4-8 kg. The lever should hold the frame firmly | | ✓ | ✓ | ✓ | ✓ |
| Quick-Releases Adjustment <ul style="list-style-type: none"> • Check that the quick-releases on the wheels, saddle and handlebars are sufficiently tight | ✓ | ✓ | ✓ | ✓ | ✓ |
| Saddle and Handlebar <ul style="list-style-type: none"> • Check that saddle and handlebars are correctly aligned | ✓ | ✓ | ✓ | ✓ | ✓ |
| Transmission Chain <ul style="list-style-type: none"> • Check chain condition, tension and alignment • Adjust and lubricate the chain | EVERY 200Km/160mi and after RIDING IN WET AND/OR DIRTY AREAS or after washing the bike. Replace it if necessary | | | | |
| Tightening the Pedals <ul style="list-style-type: none"> • Check that the pedals are tight (30-40 Nm) | | ✓ | ✓ | ✓ | ✓ |
| Bottom Bracket and Crankshaft <ul style="list-style-type: none"> • Check that the bottom bracket and crankshaft are tight and there is no play or noise when pedalling | | ✓ | ✓ | ✓ | ✓ |
| Brakes <ul style="list-style-type: none"> • Check that the front and rear brakes are working perfectly • Replace the pads if necessary | | ✓ | ✓ | ✓ | ✓ |
| Tires <ul style="list-style-type: none"> • Check that the tyres are inflated to the recommended pressure | ✓ | ✓ | ✓ | ✓ | ✓ |
| Gears <ul style="list-style-type: none"> • Check that the gear shift moves smoothly within the range | | ✓ | ✓ | ✓ | ✓ |
| Lights <ul style="list-style-type: none"> • Check that the front and rear lights are working properly | ✓ | ✓ | ✓ | ✓ | ✓ |
| Battery <ul style="list-style-type: none"> • Check that the battery is fully charged and that the system works perfectly according to the manual | ✓ | ✓ | ✓ | ✓ | ✓ |
| Brake Fluid <ul style="list-style-type: none"> • Replace brake fluid | | | | | ✓ |

WARRANTY CONDITIONS_



1. REGULATION AND TERRITORY

All LEGEND EBIKES products are guaranteed in accordance with the **European Union Directive, 1999/44/EC, on the sale and guarantees of consumer goods.**

The conditions of this warranty will only apply to products that have been purchased **within the European Union.**

2. WARRANTY TERM

All LEGEND EBIKES products are guaranteed for **2 years**, except for consumables, and provided that the conditions of use described in the user manual are met and the corresponding maintenance is carried out.

The term of 2 years will start counting from the **date of purchase**, which will be the date that appears on the commercial **invoice**.

The Power Storage Units (hereinafter, **Batteries**) sold by LEGEND EBIKES, **also** have a **2-year warranty**, despite being considered consumables. However, after the first 6 months will be the customer who must prove that the fault corresponds to a manufacturing defect.

3. WARRANTY COVERAGE

LEGEND EBIKES guarantees its electric bicycles, and other related products under the LEGEND EBIKES trademark, against any **manufacturing or assembly defect**, covering:

- The repair or replacement of defective **parts** by others in good condition (not necessarily new, in the case of replacement).
- The **labor** necessary to install or repair parts and components, either by itself or through a third party.
- The **cost of shipments** (if applicable) of parts to the users/points of sale in order to assert the effectiveness of the warranty.

Defects arising from **initial assembly/adjustment** must be claimed within 30 days of receipt of the bicycle. Once this period has elapsed, it will be understood that the user is responsible for the setting adjustment.

By **initial assembly/adjustment** we mean:

- Adjustment of gears.
- Adjustment of the brakes and pads.

WARRANTY CONDITIONS_

- Cable routing.
- Spokes tension.
- Tension of the folding levers (if applicable).

In the event that **shipments** occur during the processing of a warranty and, subsequently, it is verified that the incidence is excluded from coverage, the user/point of sale will be responsible for the **costs** derived from these shipments, without prejudice to that LEGEND EBIKES offers the possibility to quote the repair of the product out of warranty.

In the event of **shipments** of parts or complete bicycles, these will always be made to the **original country and city of purchase**.

The loss of the battery range, as a consequence of the aging of the same, is not presumed to be a manufacturing defect, since it is a behavior inherent to the properties of lithium. Therefore, the warranty will only apply if the loss of autonomy is below **70%**, or if **500 full charge cycles** have not been completed.

In the event that the user/point of sale requires LEGEND EBIKES to carry out a battery **autonomy test**, and the report generated by said test shows a result equal to or greater than 70%, the former must bear the costs generated by the carrying out said test, as well as the shipping costs derived, if applicable.

The 2-year warranty **does not imply**, in any case, that LEGEND EBIKES is obliged to provide a **replacement vehicle** for the time necessary for the resolution of an incident that is covered by the warranty.

The warranty requires only the repair or replacement of defective components and **does not cover** in any case any **personal and material damage** that may have resulted directly or indirectly from the failure of said components during use.

The 2-year warranty **does not cover** in any case the normal wear and tear of perishable elements of the product: **consumables**. Said elements, subject to weathering, are the following (this list is merely illustrative and not limiting in any case):

| | | | | |
|------------------|-----------------------|-----------------|-----------------|--------------------|
| Tyres | O-rings | Lamps | Stationary cups | Rubber parts |
| Chains | Air tubes | Brake pads | Bolts | Bearings |
| Saddle covers | Cables and housings | Retaining rings | Threads | Dust covers |
| Grips and straps | Disc brake rotors | Pinions | Pedals | Spokes and nipples |
| Cores | Shock absorber joints | | | |

WARRANTY CONDITIONS_

4. WARRANTY APPLICATION

The request of the warranty **application** is non-transferable and can only be carried out by the **original buyer**.

Claims related to the warranty must be **processed** through **the sales channel associated** with the product under warranty:

- In case of acquiring a product in an **Official Point of Sale** (whether physical or online), the warranty must be processed through that Point of Sale, and not another.
- In case of acquiring a product **directly from LEGEND EBIKES**, the warranty must be processed through the legendebikes.com portal, in the HELP/SUPPORT section.

To make the warranty effective, the client must always provide the **purchase invoice**.

In any case, the effective application of the warranty will be subject to the evaluation of the **Technical Service (SAT) of LEGEND EBIKES**, who may consider the exclusion of the same as long as you provide a reasoned justification on the nature of the failure or breakage.

5. WARRANTY EXCLUSIONS

[EN]

5.1 The application of the warranty is excluded in the event that the failure of the defective part or parts derives from an **improper and/or negligent** use of the product.

Improper and/or negligent use shall be understood as:

- Any use **other than** the nature of the product and/or recommended in the instruction manual.
- Not carrying out **the maintenance operations** indicated in **the instruction manual** (such as not charging the battery at least every two months or not carrying out the corresponding periodic maintenance), or carrying out other than the mentioned ones that may compromise the product quality.
- Make modifications outside of **authorized workshops** and/or with **non-original or non-approved parts**

WARRANTY CONDITIONS_

5.2 The warranty application is excluded in case of damage, malfunction or performance problems caused by **industrial air pollutants or external agents** (for example, acid rain), bird droppings, tree sap, stones, floods, hurricanes or the like.

5.3 The warranty application is excluded when the nature of the request is reason for the **participation of a third party** or comes from an **intentional misdoing**.

5.4 Defects arising from initial **assembly/adjustment** must be claimed within 30 days of receipt of the bicycle. Once this period has elapsed, it will be understood that the user is responsible for the state of the adjustment and therefore the application of the warranty is excluded.

5.5 The warranty application **does not imply**, in any case, that LEGEND EBIKES is obliged to provide a **replacement vehicle** for the time necessary for the resolution of an incident that is covered by the warranty.

5.6 The warranty application requires only the repair or replacement of defective components and **does not cover** in any case the **personal and material damages** that may derive directly or indirectly from their failure during use.

5.7 The warranty application is excluded, in any case, in relation to the normal wear and tear of the perishable elements of the product: **consumables**

5.8 In the event of an **accident**, the LEGEND warranty is completely void.

[EN]

LEGEND
EBIKES

Calle Industria 60
Ripollet, BARCELONA 08291 (SPAIN)
Tlfno: +34 93 141 33 86
www.legendebikes.com
info@legendebikes.com

Félicitations pour l'achat de votre **LEGEND MONZA EBIKE** . Dans ce manuel, vous trouverez les informations dont vous avez besoin pour profiter de votre vélo électrique en toute sécurité. Si vous avez des questions, n'hésitez pas à nous contacter directement via notre point de vente le plus proche ou sur notre site internet : www.legendebikes.com

Les vélos portant la marque **LEGEND EBIKES** et leurs composants répondent aux conditions légales suivantes, conformément à la norme européenne **EN 15194:2017** pour les **EPAC** (Electrically Power Assisted Cycles) :

1. L'assistance motorisée est fournie uniquement lors du pédalage.
2. L'assistance au pédalage est limitée à **25 km/h**.
3. La puissance nominale fournie par l'assistance est de **250W**, au maximum.

Si ces conditions sont remplies, **il n'est pas nécessaire d'avoir un permis ou une immatriculation** quelconque pour conduire ce véhicule sur la voie publique. Les vélos LEGEND EBIKES sont également conformes à la législation en vigueur tant au niveau national qu'au niveau Européen :

- Directive 2002/24/EC
- Directive 2004/108/EC
- Directive 2006/42/EC



Ce manuel contient des messages d'avertissement et des recommandations



ATTENTION!

Les messages rédigés dans ce format contiennent des instructions essentielles pour la sécurité et une utilisation appropriée.

Leur non-respect peut causer des dommages et des préjudices. Le manuel et son contenu sont à jour au moment de la rédaction et de l'impression. LEGEND EBIKES se réserve le droit de le modifier sans préavis.

CONTENU_

| | |
|---|------------|
| SÉCURITÉ | Page 32 |
| VÉRIFICATIONS PRÉLIMINAIRES DE SÉCURITÉ | Page 32-33 |
| SÉCURITÉ ROUTIÈRE | Page 34-35 |
| UTILISATION EN CAS DE PLUIE | Page 35 |
| UTILISATION DE NUIT | Page 35 |
| PIÈCES DE VÉLO | Page 36 |
| FICHE TECHNIQUE | Page 37 |
| POUR COMMENCER | Page 38 |
| RÉGLAGE DE LA HAUTEUR DE LA SELLE | Page 38 |
| ASSEMBLAGE DES PÉDALES | Page 39 |
| CHARGEMENT DE LA BATTERIE | Page 40 |
| MISE EN MARCHÉ DU VÉLO | Page 41 |
| COMMENT PLIER VOTRE VÉLO ÉLECTRIQUE | Page 42-43 |
| RETRAIT DE LA BATTERIE | Page 44 |
| PREMIÈRE UTILISATION | Page 45 |
| ENTRETIEN | Page 46 |
| ENTRETIEN DE LA BATTERIE | Page 47 |
| ENTRETIEN DU MOTEUR | Page 47 |
| ENTRETIEN ÉLECTRONIQUE | Page 48 |
| ENTRETIENS PÉRIODIQUES ET ÉLÉMENTS À VÉRIFIER (TABLEAU) | Page 48-49 |
| CONDITIONS DE GARANTIE | Page 50 |
| 1. RÉGLEMENTATION ET TERRITOIRE | Page 50 |
| 2. TERME DE LA GARANTIE | Page 50 |
| 3. COUVERTURE DE GARANTIE | Page 50-51 |
| 4. DEMANDE DE GARANTIE | Page 52 |
| 5. EXCLUSIONS DE GARANTIE | Page 52-53 |

SÉCURITÉ_

Lisez **attentivement ce manuel** et familiarisez-vous avec lui avant d'utiliser votre vélo électrique **LEGEND MONZA SMART EBIKE** pour la première fois.

Comme toute activité de plein air, le vélo comporte un **risque de blessure et d'accident**. De plus, comme le véhicule est équipé d'un composant électrique, ce risque peut être plus élevé.

Lorsque vous choisissez de conduire un vélo électrique, vous assumez la responsabilité de ce risque. Par conséquent, **vous devez donc connaître les règles d'une conduite prudente et responsable**, tout comme celles d'une utilisation et d'un entretien corrects. Cela permettra de réduire les risques d'accident.

Ce vélo électrique est uniquement **destiné à être utilisé par des adultes**. En tant que parent ou tuteur, **vous êtes responsable des activités et de la sécurité des mineurs** dont vous avez la charge. Cela inclut de s'assurer que le mineur peut utiliser et contrôler toutes les fonctionnalités du vélo et qu'il comprenne parfaitement toutes les parties de ce manuel.

CONTRÔLES PRÉLIMINAIRES

Vérifiez l'état de votre vélo avant chaque utilisation.

- 1. Boulons et écrous :** Assurez-vous que rien n'est desserré.
- 2. Pneus et roues :** Assurez-vous que les pneus sont gonflés à la bonne pression (la pression correcte est indiquée sur le flanc du pneu) et en bon état. Faites tourner chaque roue lentement en cherchant des entailles dans le pneu.
- 3. Freins :** Assurez-vous que les freins fonctionnent correctement, qu'il n'y a pas de décalage dans leurs mouvements et que les plaquettes ne sont pas usées ou mal positionnées. Vérifiez que les câbles sont lubrifiés, bien serrés et ne sont pas endommagés. Les leviers de frein doivent être fermement fixés au guidon.

- 4. Raccords** : Assurez-vous que la tige de la selle est solidement fixée et ajustée, ainsi que les verrouillages sur les charnières rabattables, si nécessaire.
- 5. Alignement de la selle et du guidon** : Assurez-vous que la base de la selle et du guidon est parallèle à la ligne centrale du cadre du vélo.
- 6. Poignées du guidon** : Assurez-vous que les poignées soient en bon état.
- 7. Porte-bagages** : Assurez-vous qu'il soit solidement fixé au vélo.
- 8. Chargeur** : Utilisez uniquement le chargeur original pour charger la batterie. Si la batterie n'est pas utilisée pendant une longue période, stockez-la dans un endroit frais et sec et chargez-la au moins une fois tous les deux mois.
- 9. Batterie** : Pour votre propre sécurité, ne placez jamais la batterie près d'une source de chaleur et ne pas y mettre feu. Ne le placez pas à proximité de matières explosives ou inflammables pendant la charge.
- 10. Composants électriques** : Ne démontez jamais vous-même la batterie, le moteur, l'unité de commande ou tout autre composant. Si un composant doit être remplacé, contactez le point de vente où vous avez acheté votre vélo électrique LEGEND EBIKES ou notre service technique. Ne modifiezn jamais le sceau de garantie des composants, sinon il sera annulé.



Si vous avez acheté votre vélo électrique LEGEND dans un magasin en ligne, le vélo peut être envoyé semi-assemblé. Nous vous recommandons de vous rendre dans un magasin de vélos ou un atelier professionnel qui pourra régler les dérailleurs et les freins (si ce n'est déjà fait), et y assurer un assemblage correct des pièces avec les garanties de sécurité minimales.

SÉCURITÉ ROUTIÈRE

1. **Portez toujours un casque** homologué.
2. **Essayez de maintenir les parties du corps et les autres objets éloignés des maillons de la chaîne, des pédales, des manivelles et des roues en mouvement.**
3. **Portez toujours :**
 - Des **chaussures** bien ajustées qui tiennent bien la pédale. N'utilisez jamais votre vélo pieds nus ou en sandales.
 - Des **vêtements clairs et visibles** qui ne sont pas trop amples car ils pourraient s'emmêler dans le vélo ou être accrochés par des objets au bord de la route.
 - Il est fortement recommandé de porter des **lunettes** de protection pour protéger vos yeux. Teintées quand le soleil brille, claires quand il ne brille pas.
4. Conduisez toujours à une **vitesse** adaptée aux situations. Comme vous le savez, augmenter la vitesse augmente le risque.
5. Respectez le code de la route. N'oubliez pas que vous devez également connaître toutes les **règles et conditions** régissant l'utilisation des vélos électriques. Les lois et les réglementations varient généralement d'une municipalité à l'autre. Il est de votre responsabilité de connaître et de respecter les **limitations locales**.
6. **N'utilisez jamais d'écouteurs** au volant du vélo. Ils masquent les bruits de la circulation et les sirènes des véhicules d'urgence, ce qui vous empêche de vous concentrer sur ce qui se passe autour de vous. De plus, les câbles peuvent s'emmêler dans les pièces mobiles du vélo, ce qui peut entraîner une perte de contrôle de celui-ci.
7. **Ne jamais transporter quelque chose qui puisse obstruer votre vue** ou affecter le contrôle du vélo.
8. **Ne jamais s'accrocher à un autre véhicule** pour aller plus vite.
9. **Ne pas dépasser la limite de poids maximale de la bicyclette** sans quoi ses composants pourraient être endommagés ou même cassés.
10. **Remplacez tout composant ou élément endommagé** avant d'utiliser à nouveau le vélo. L'entretien et la réparation des vélos doivent être confiés à un point de vente agréé.

11. N'essayez pas de sauter ou de "cabrer le vélo" car cela peut provoquer des accidents et endommager le vélo.

12. Ne conduisez jamais votre vélo sous l'influence de l'alcool ou de drogues.

13. Évitez d'utiliser la bicyclette partiellement ou complètement **immergée dans l'eau**. Ceci pourrait endommager les composants et les éléments électroniques.

14. Si possible, **évitez de conduire les jours de pluie**, lorsque la **visibilité est limitée**, au **crépuscule et la nuit**, ou lorsque vous ressentez une **fatigue extrême**. Ces conditions augmentent le risque d'accident.

UTILISATION SOUS LA PLUIE

Sous la pluie, **l'efficacité de vos freins** (comme celle des freins des autres véhicules) est considérablement réduite et vos **pneus n'ont pas une aussi bonne adhérence que lorsqu'ils sont secs**. Pour pouvoir réduire votre vitesse et vous arrêter en toute sécurité sous la pluie, conduisez plus lentement et utilisez vos freins plus tôt et plus progressivement que s'il faisait sec.



La pluie affecte la traction, le freinage et la visibilité du cycliste et des autres usagers de la route qui partagent la route. Le risque d'accident augmente considérablement dans ces conditions. Soyez particulièrement prudent lorsque vous conduisez votre vélo sous une pluie extrême. Notez que les dommages causés au système électrique par le contact avec l'eau sont considérés comme des dommages dus à une mauvaise utilisation et ne sont donc pas couverts par la garantie.

UTILISATION NOCTURNE

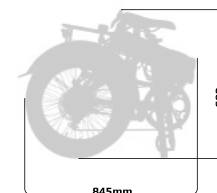
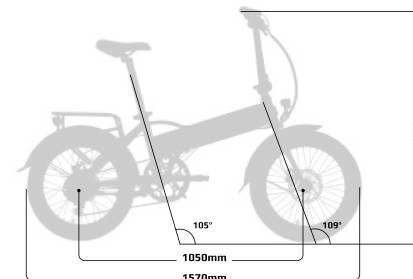
Conduire un vélo **la nuit est beaucoup plus dangereux** que le jour. Un cycliste n'est pas facilement visible par les autres conducteurs et les piétons. C'est pourquoi les mineurs ne doivent jamais conduire à l'aube, au crépuscule ou tard dans la nuit. Les adultes ne doivent le faire qu'en cas de nécessité.



Assurez-vous que les feux avant et arrière fonctionnent correctement. Des réflecteurs et des rétro-réflecteurs sont installés pour réfléchir la lumière de la rue et des voitures afin que vous soyez reconnu comme un cycliste en mouvement. Veuillez noter que les dispositifs réfléchissants ne remplacent pas les feux.

PIÈCES DE VÉLO_

1. iWoc®
2. Guidon
3. Levier de frein
4. Charnière pliante
5. Feu avant
6. Garde-boue avant
7. Roue avant
8. Pédale
9. Pédaalier
10. Béquille
11. Chaîne
12. Derailleur
13. Roue Arrière
14. Moteur
15. Garde boue arrière
16. Feu arrière
17. Porte baggage
18. Selle
19. Contrôleur interne
20. Charnière pliante
21. Batterie



[FR]



IP-65



100Km

KLICKfix®



19,5kg

**FOLDING
FRAME** ✓



20"



**HIDRAULIC
DISC**



Bluetooth™



25
kph

| | |
|-------------|---|
| MOTEUR | 250W GEARED 1:4.5 Ratio 40Nm |
| VITESSE | 25 Kph |
| BATTERIE | 36V 10.4Ah Sanyo-Panasonic / 36V 14Ah Panasonic |
| CAPTEUR | Capteur de vitesse intégré BB 32 impulsions |
| JOYSTICK | iWoc® Bluetooth SCI* by MAHLE Ebikemotion |
| CONNECTEURS | HIGO IP67 Waterproof |
| AUTONOMIE | 60 - 100 Km** |
| CONTROLLER | SCU* by MAHLE Ebikemotion |
| CADRE | AL 6061 T6 Pliant |
| FEUX | Spanninga Kendo+ 30 LUX |
| FREINS | Hydraulic disc |
| DERAILLEUR | DERAILLEUR Shimano TY300 6 Vitesses |
| SELLE | Velo 3061A |
| POIDS | 19.5 Kgs |
| COULEURS | Noir Onyx / Bleu Steel / Gris Silver |

*SCU (Smart Control Unit) SCI (Smart Control Interface). **Autonomie en fonction de l'ampérage de la batterie.

***ATTENTION: Il est possible que certains composants ne correspondent pas exactement à la description ou aux images (en raison des difficultés d'approvisionnement) et qu'ils soient remplacés par d'autres composants de gamme équivalente ou supérieure

POUR COMMENCER_

RÉGLAGE DE LA HAUTEUR DE LA SELLE

La hauteur de la tige de selle peut être facilement ajustée par serrage manuel et réglée à la hauteur souhaitée. Le système de fixation rapide permet d'effectuer cette opération autant de fois que nécessaire sans aucun effort. **La fixation doit être fermement fermée.**

Desserrer la fixation rapide



Régler la selle à la hauteur souhaitée



Resserrer la fixation rapide



Il est important de s'assurer que la tige ne dépasse pas la marque d'insertion minimale.

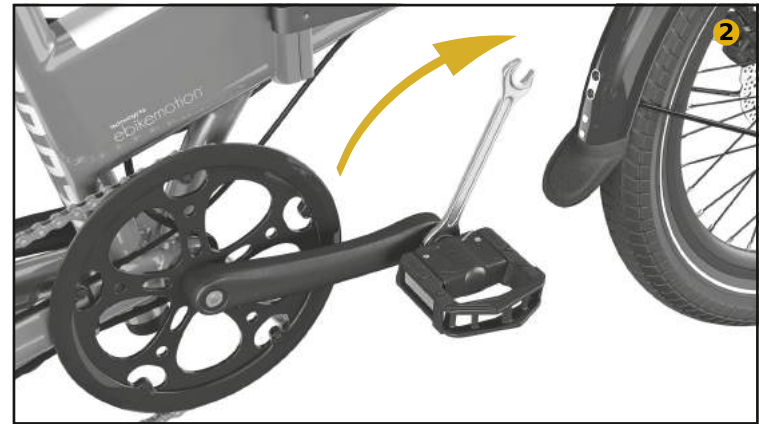
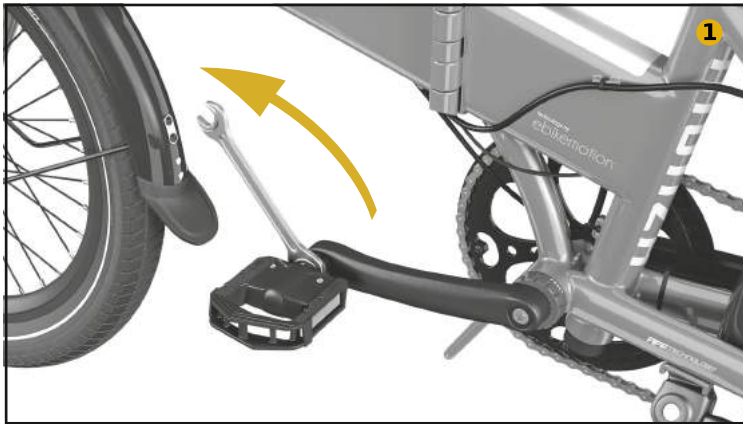
LE MONTAGE DES PÉDALES

Les pédales sont dotées d'un système de réglage spécial. Lors de leur assemblage, **vous devez vous assurer que vous avez sélectionné la pédale correcte pour sa manivelle** : nous plaçons la pédale droite sur la manivelle droite, indiquée par la **lettre R (Right/Droite)** ; et la pédale gauche sur la manivelle gauche, indiquée par la **lettre L (Left/Gauche)**.

Vérifiez que les trous sont libres de tout obstacle et, si possible, ajoutez de la graisse. **Vissez toujours** les pédales sur la manivelle **dans le sens du pédalage**. Essayez de ne pas forcer la vis, car cela pourrait endommager les filets et les rendre inutilisables.

Utilisez une clé Allen de 6 mm ou une clé de 15 mm pour visser les pédales sur les manivelles.

Couple de serrage recommandé : 35 Nm.



POUR COMMENCER_

LA CHARGE DE LA BATTERIE

Avant d'utiliser votre vélo pour la première fois, vous devez charger la batterie pendant **4 à 6 heures** en utilisant le chargeur inclus.

1. Branchez le chargeur à la prise. Vous remarquerez que le **voyant** du chargeur **devient vert**, ce qui signifie que l'appareil fonctionne correctement.

2. Branchez le chargeur à la batterie. Le **voyant** du chargeur **devient rouge** lorsque la batterie est en charge. N'oubliez pas que vous pouvez charger votre batterie pendant qu'elle est à l'intérieur du vélo grâce au connecteur situé sur le côté gauche du cadre, ou la charger hors du vélo si vous préférez.

3. Lorsque la batterie est **complètement chargée**, le voyant du chargeur revient à sa couleur verte initiale.

4. Pour déconnecter le chargeur, **il est recommandé de débrancher d'abord la batterie et puis la prise de courant.**

5. Lorsque la batterie est complètement chargée, le temps de charge est de 6 à 8 heures et dépendra toujours de l'usage qui sera fait de la bicyclette.

6. La consommation d'électricité pour chaque charge de batterie est de **288 to 504Wh** selon le modèle de batterie.

7. Ne pas couvrir le chargeur ou la batterie pendant le processus de charge.



Utilisez uniquement le chargeur d'origine pour charger la batterie, sinon la batterie et les appareils électroniques ne seront pas couverts par la garantie.

Lieu de la charge



Ouvrez le couvercle



Branchez le chargeur



METTRE LE VÉLO EN MARCHÉ

Commencez par activer le **bouton d'alimentation** situé au bas de la **batterie** pour alimenter le système. N'oubliez pas de désactiver ce bouton lorsque vous n'utilisez pas votre vélo Legend MONZA pendant une longue période.



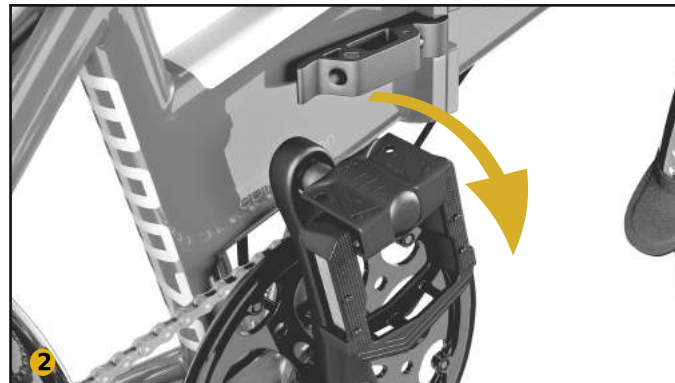
Pour mettre en marche le système électrique de votre vélo, allumez-le avec le bouton central gauche de **iWoc**. Pour ce faire, appuyez sur le **bouton de mise en marche pendant 2 secondes**.



Téléchargez et consultez les manuels des systèmes Ebikemotion pour obtenir des informations détaillées sur leur fonctionnement. Vous pouvez les trouver sur notre site web www.legendebikes.com

PLIER LE VÉLO_

Replier les pédales vers l'intérieur



Desserrer le blocage rapide pour abaisser la selle



PLIER LE VÉLO_

1 Enlever le verrou pliant



2 Ouvrez le levier de verrouillage de la charnière comme indiqué sur la photo

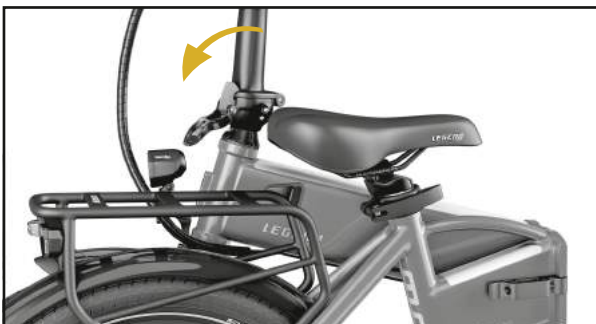


3 Vous pouvez maintenant plier le cadre



Assurez-vous que la charnière est complètement fermée et que le levier de verrouillage est correctement aligné avant de le fixer avec le loquet. Correctement réglé, la force de fermeture du levier doit être de 4-8 KG (ou 8,8-17,6 LB). Un mauvais réglage peut endommager le cadre. Si vous constatez un jeu dans l'une des pièces du sceau, veuillez contacter un personnel qualifié.

1 Libérez le verrou pliant en soulevant au préalable la double languette de sécurité



2 Ouvrez le verrou de la charnière comme indiqué sur la photo



[FR]

RETRAIT DE LA BATTERIE_

1 Pliez le cadre en suivant les



2 Tournez la clé à 180°



3 Vous pouvez maintenant retirer la batterie



L'utilisation d'un vélo électrique est similaire à celle d'un vélo non électrique, mais avec quelques différences notables. Une bicyclette électrique est plus lourde et **prend plus de temps à s'arrêter**. Pour l'utiliser, il faut se placer en position d'équilibre sur le vélo. Une fois que vous avez mis votre casque et que vous commencez à faire votre premier voyage sur votre nouvelle bicyclette, assurez-vous de choisir un environnement contrôlé, loin des voitures, des autres cyclistes, des obstacles et des situations imprévues. Profitez de ces circonstances pour vous familiariser avec les commandes et le fonctionnement de votre nouvel eBike:



Assurez-vous que la batterie est bien verrouillée dans le cadre. Dans le cas contraire, elle risque de tomber et les dommages ne seront pas couverts par la garantie.

- 1. Familiarisez-vous avec les freins de la bicyclette.** Essayez-les à basse vitesse, en plaçant votre poids vers l'arrière et en serrant doucement les leviers de frein. Une application excessive du frein avant peut vous faire passer par-dessus le guidon.
- 2. Freiner trop fort** peut bloquer la roue et provoquer une perte de contrôle ou même une chute.
- 3. Si votre vélo est équipé d'une suspension, familiarisez-vous** avec sa réaction lors de l'application des freins et des changements de poids.
- 4. Vérifiez la maniabilité et la réaction** du vélo en général et vérifiez également le confort.
- 5. Contrôlez la vitesse** de la bicyclette en **utilisant les freins**.



Le vélo peut accélérer rapidement à partir de la position d'arrêt et vous prendre par surprise. Veillez à toujours avoir suffisamment d'espace.

ENTRETIEN_

Nettoyer, ajuster, gonfler et graisser. C'est le protocole d'entretien de base d'un vélo conventionnel, et il s'applique pleinement au cas d'un vélo électrique. Il est très important de **vérifier le vélo après utilisation pour prolonger la durée de vie des composants**. Nous vous recommandons de suivre attentivement les points suivants :

- 1. Nettoyez** toutes les zones du vélo avec des chiffons ou du papier humidifié avec de l'eau et du savon, mais pas avec des produits abrasifs tels que l'alcool ou la térébenthine. Un compresseur d'air peut être d'une grande utilité.
- 2. Vérifiez l'état des pneus** pour vous assurer qu'ils ne présentent pas de coupures, de fissures ou d'objets incrustés tels que des pierres, du verre ou des bâtons.
- 3. Les plaquettes de frein** doivent être proches du disque mais ne doivent pas le toucher ; lors de l'actionnement du frein.
- 4. Les câbles** ne doivent pas être trop rigides car le matériau peut se dilater en raison des variations de température et des conditions d'utilisation et, s'il est forcé, il peut s'affaiblir jusqu'au point de rupture.
5. Assurez-vous que la **chaîne** fonctionne sans frottement d'éléments extérieurs à son mécanisme.
6. En raison des vibrations reçues lors de l'utilisation, nous devons vérifier périodiquement l'ajustement **des écrous et les boulons** ; principalement sur les roues, la selle et la potence du guidon.
- 7. Graissez** les roulements de pédalier et les moyeux de roue.
- 8. Ne pas transporter de passagers ou d'objets lourds** (capacité de charge du porte-bagages arrières : maximum 27kg), ils peuvent endommager la batterie et le moteur.



N'utilisez pas d'eau sous pression.

ENTRETIEN DE LA BATTERIE

Toutes les LEGEND EBIKES sont alimentées par des **pile**s au lithium. Pour recharger la batterie, il suffit de brancher le transformateur sur le courant et la prise de sortie sur la batterie dans sa seule position. Les indicateurs de charge signalent que la charge est terminée lorsque le transformateur a un voyant vert. **Outre la recharge, ces batteries ne nécessitent aucun autre entretien.** Pour prolonger la durée de vie des batteries, ne stockez pas le vélo dans des endroits où la température tombera en **dessous de 0°C ou dépassera 50°C**. Pour optimiser la durée de vie de votre batterie, essayez de la recharger en respectant les règles suivantes :

- 1. N'attendez pas que la batterie soit complètement déchargée pour la recharger. Notez que plus vous rechargez votre batterie fréquemment, plus vous obtiendrez de meilleures performances.**
- 2. Conservez la batterie à un niveau de charge de 50%.**
- 3. Conservez-la dans un endroit frais et sec et rechargez-la au moins une fois tous les deux mois.**
- 4. Essayez de ne pas stocker la batterie complètement déchargée ou complètement chargée pendant de longues périodes.**
- 5. En raison du taux naturel d'autodécharge des cellules Lithium-Ion, vous devez vérifier le niveau de charge environ tous les 2 mois et, si nécessaire, charger pendant 30 minutes.**

ENTRETIEN DU MOTEUR

Pour optimiser ses performances, suivez ces lignes directrices :

- 1. Lorsqu'il est utilisé contre un vent de face ou sur une pente, essayez d'aider le moteur en appliquant plus de force sur le pédalage.** Cela empêchera le moteur et/ou la batterie de chauffer.
- 2. En cas de pluie, le vélo ne doit pas être utilisé sur un terrain où le niveau de l'eau recouvre le moteur ou le contrôleur.**

ENTRETIEN ÉLECTRONIQUE

Le **contrôleur** est installé à l'intérieur de la carcasse de la batterie, près de la selle. Il est très important de tenir compte des points suivants :

1. **Ne pas immerger dans l'eau.**
2. **Ne pas le frapper ou l'ouvrir.**



REMARQUE: Si la boîte du contrôleur est rempli d'eau, coupez immédiatement l'alimentation générale et pédalez sans assistance électrique jusqu'à ce que vous soyez sûr qu'elle est sèche. Ensuite, vous pouvez réactiver le système de pédalage assisté.



N'essayez pas d'ouvrir la boîte du contrôleur. Toute tentative de modification ou d'ajustement ne sera pas couverte par la garantie. Demandez de l'aide à votre revendeur LEGEND local ou au service technique.

ENTRETIENS PÉRIODIQUES ET ÉLÉMENTS À VÉRIFIER (TABLEAU)

Il est important que vous consultiez [legendebikes.com](https://www.legendebikes.com) dans la section **AIDE/SUPPORT**, pour connaître les exigences d'entretien périodique de votre vélo.



Veillez noter que le non-respect et/ou l'absence d'entretien régulier peut entraîner la non-application de la garantie.

| Éléments à vérifier | Lecture de l'odomètre / intervalle de temps (quoi qu'il arrive en premier) | | | | |
|--|---|-----------------------------|-------------------------------|-------------------------------|-------------------------------|
| | Avant chaque voyage | 1000 Km/600 mi ou 6 mois | 2000 Km/1200 mi ou 12 mois | 3000 Km/1800 mi ou 18 mois | 4000 Km/2400 mi ou 24 mois |
| Réglage du levier de pliage <ul style="list-style-type: none"> • Serrez le levier de pliage à 4-8 kg. Le levier doit tenir le cadre fermement | | ✓ | ✓ | ✓ | ✓ |
| Ajustement des Quick-Releases (attaches rapides) <ul style="list-style-type: none"> • Vérifier que les quick-releases sur les roues, la selle et le guidon sont suffisamment serrées | ✓ | ✓ | ✓ | ✓ | ✓ |
| Selle et Guidon <ul style="list-style-type: none"> • Vérifier que la selle et le guidon sont correctement alignés | ✓ | ✓ | ✓ | ✓ | ✓ |
| Chaîne de transmission <ul style="list-style-type: none"> • Vérifier l'état, la tension et l'alignement de la chaîne • Régler et lubrifier la chaîne | TOUS les 200 km/160 miles et après avoir ROULÉ DANS DES ZONES HUMIDES ET/OU SALES ou après avoir lavé la moto. Remplacez-la si nécessaire | | | | |
| Serrage des pédales <ul style="list-style-type: none"> • Vérifiez que les pédales sont bien serrées (30-40 Nm) | | ✓ | ✓ | ✓ | ✓ |
| Pédalier et Manivelles <ul style="list-style-type: none"> • Vérifiez que le pédalier et les manivelles sont bien serrés et qu'il n'y a pas de jeu ou de bruit lors de la rotation des pédales | | ✓ | ✓ | ✓ | ✓ |
| Freins <ul style="list-style-type: none"> • Vérifier que les freins avant et arrière fonctionnent parfaitement • Remplacer les plaquettes si nécessaire | | ✓ | ✓ | ✓ | ✓ |
| Pneus <ul style="list-style-type: none"> • Vérifier que les pneus sont gonflés à la pression recommandée | ✓ | ✓ | ✓ | ✓ | ✓ |
| Derailleur <ul style="list-style-type: none"> • Vérifier que le derailleur se déplace en douceur dans la gamme | | ✓ | ✓ | ✓ | ✓ |
| Feux <ul style="list-style-type: none"> • Vérifier le bon fonctionnement des feux avant et arrière | ✓ | ✓ | ✓ | ✓ | ✓ |
| Batterie <ul style="list-style-type: none"> • Vérifiez que la batterie est complètement chargée et que le système fonctionne parfaitement selon le manuel | ✓ | ✓ | ✓ | ✓ | ✓ |
| Liquide de Freins <ul style="list-style-type: none"> • Remplacez le liquide de freins | | | | | ✓ |

1. RÉGLEMENTATION ET TERRITOIRE

Tous les produits LEGEND EBIKES sont garantis conformément à la directive de l'**Union européenne, 1999/44/CE, sur la vente et les garanties des biens de consommation.**

Les conditions de cette garantie s'appliquent uniquement aux produits qui ont été achetés au sein **de l'Union européenne.**

2. TERME DE LA GARANTIE

Tous les produits LEGEND EBIKES sont garantis pour une durée de 2 ans, à l'exception des articles consommables, et dans la mesure où les conditions d'utilisation décrites dans le manuel d'utilisation sont respectées et que la maintenance correspondante est effectuée.

La durée de 2 ans commencera à compter de la **date d'achat**, qui sera la date figurant sur la **facture commerciale.**

Les unités de stockage d'énergie (ci-après dénommé, les batteries) vendues par LEGEND EBIKES, ont également **une garantie de 2 ans**, bien qu'elles soient considérées comme des produits consommables. Cependant, après les 6 premiers mois, client devra prouver que le défaut correspond à un défaut de fabrication.

3. COUVERTURE DE GARANTIE

LEGEND EBIKES garantit ses vélos électriques, et autres produits connexes sous la marque LEGEND EBIKES, contre tout défaut de **fabrication ou d'assemblage**, couvrant :

- La réparation ou le remplacement **des pièces** défectueuses par d'autres en bon état (pas nécessairement neuves, dans le cas d'un remplacement).
- **La main-d'œuvre** nécessaire pour installer ou réparer les pièces et composants, soit par elle-même, soit par l'intermédiaire d'un tiers.
- **Les frais d'expédition** (le cas échéant) des pièces aux utilisateurs/points de vente afin de faire valoir l'efficacité de la garantie.

Les défauts résultant du **montage/réglage initial** doivent être réclamés dans les 30 jours suivant la réception du vélo. Une fois ce délai écoulé, il sera entendu que l'utilisateur est responsable du réglage.

Par **montage initial/réglage**, nous entendons :

CONDITIONS DE GARANTIE_

- Le réglage des vitesses.
- Le réglage des freins et des plaquettes.
- Acheminement des câbles.
- Tension des rayons.
- Tension des leviers de pliage (le cas échéant).

Dans le cas où des **livraisons** se produisent pendant le traitement d'une garantie et que, par la suite, il est vérifié que le sinistre est exclu de la couverture, l'utilisateur/point de vente sera responsable des **coûts** découlant de ces livraisons, sans préjudice du fait que LEGEND EBIKES offre la possibilité d'établir un devis pour la réparation du produit hors garantie.

Dans le cas **d'envois** de pièces ou de vélos complets, ceux-ci seront toujours effectués vers **le pays et la ville d'achat d'origine**.

La perte de l'autonomie de la batterie, conséquence du vieillissement de celle-ci, n'est pas présumée être un défaut de fabrication, puisqu'il s'agit d'un comportement inhérent aux propriétés du lithium. Par conséquent, la garantie ne s'appliquera que si la perte d'autonomie est inférieure à **70 %** ou si **500 cycles de charge** complets n'ont pas été effectués.

Dans le cas où l'utilisateur/point de vente demande à LEGEND EBIKES d'effectuer **un test d'autonomie** de la batterie, et que le rapport généré par ce test montre un résultat égal ou supérieur à 70%, le premier doit supporter les coûts générés par la réalisation dudit test, ainsi que les frais d'expédition dérivés, le cas échéant.

La garantie de 2 ans **n'implique en aucun cas** que LEGEND EBIKES soit obligé de fournir un véhicule de remplacement pour le temps nécessaire à la résolution d'un incident couvert par la garantie.

La garantie exige uniquement la réparation ou le remplacement des composants défectueux et **ne couvre** en aucun cas **les dommages personnels et matériels** qui auraient pu résulter directement ou indirectement de la défaillance desdits composants lors de l'utilisation.

La garantie de 2 ans **ne couvre** en aucun cas l'usure normale des éléments périssables du produit : **les consommables**. Ces éléments, sous réserve des intempéries, sont les suivants (cette liste n'est qu'indicative et en aucun cas limitative) :

| | | | | |
|----------------------|------------------------|---------------------|----------------|----------------------------|
| Pneus | Joints toriques | Feux | Gobelets fixes | Pièces en caoutchouc |
| Chaînes | Tubes à air | Plaquettes de frein | Boulons | Roulements |
| Couvertures de selle | Câbles et boîtiers | Bagues de retenue | Filets | Couvertures anti-poussière |
| Poignées et sangles | Rotors freins à disque | Pignons | Pédales | Rayons et écrou |
| Noyaux | Joints d'amortisseurs | | | |

CONDITIONS DE GARANTIE_

4. DEMANDE DE GARANTIE

La demande de garantie est non transférable et ne peut être effectuée que par **l'acheteur initial**.

Les demandes relatives à la garantie doivent être **traitées** par le **canal de vente associé** au produit sous garantie :

- En cas d'acquisition d'un produit dans un **point de vente officiel** (physique ou en ligne), la garantie doit être traitée par ce point de vente, et non par un autre.
- En cas d'acquisition d'un produit directement **auprès de LEGEND EBIKES**, la garantie doit être traitée par le portail legendebikes.com, dans la section AIDE/SUPPORT.

Pour que la garantie soit effective, le client doit toujours fournir la **facture d'achat**.

Dans tous les cas, l'application effective de la garantie sera soumise à l'évaluation du **Service Technique (SAT) de LEGEND EBIKES**, qui pourra envisager l'exclusion de celle-ci à condition de fournir une justification motivée sur la nature de la panne ou du dommage.

5. EXCLUSIONS DE GARANTIE

5.1 L'application de la garantie est exclue dans le cas où la défaillance de la ou des pièces défectueuses découle d'une utilisation **incorrecte** et/ou **négligente** du produit.

Une utilisation incorrecte et/ou négligente signifie :

- Toute utilisation **autre que** la nature du produit et/ou recommandée dans le manuel d'instructions.
- La non-exécution des **opérations d'entretien** indiquées dans le **manuel d'instructions** (telles que le fait de ne pas charger la batterie au moins tous les deux mois ou de ne pas effectuer l'entretien périodique correspondant), ou l'exécution d'autres opérations que celles mentionnées qui peuvent compromettre la qualité du produit.
- Effectuer des modifications en dehors des **ateliers agréés** et/ou avec des pièces **non d'origine ou non agréées**.

CONDITIONS DE GARANTIE_

5.2 L'application de la garantie est exclue en cas de dommages, de dysfonctionnement ou de problèmes de performance causés par des **polluants atmosphériques industriels** ou des **agents extérieurs** (par exemple, les pluies acides), des fientes d'oiseaux, de la sève d'arbres, des pierres, des inondations, des ouragans ou autres.

5.3 La demande de garantie est exclue lorsque la nature de la demande est la raison de la **participation d'un tiers** ou provient **d'une faute intentionnelle**.

5.4 Les défauts résultant du **montage/réglage** initial doivent être réclamés dans les 30 jours suivant la réception du vélo. Une fois ce délai écoulé, il sera entendu que l'utilisateur est responsable de l'état du réglage et que l'application de la garantie est donc exclue.

5.5 L'application de la garantie n'implique en aucun cas que LEGEND EBIKES soit tenue de fournir **un véhicule de remplacement** pendant le temps nécessaire à la résolution d'un incident couvert par la garantie.

5.6 L'application de la garantie ne requiert que la réparation ou le remplacement des composants défectueux et **ne couvre en aucun cas** les **dommages personnels et matériels** qui peuvent dériver directement ou indirectement de leur défaillance lors de l'utilisation.

5.7 L'application de la garantie est exclue, en tout état de cause, en ce qui concerne l'usure normale des éléments périssables du produit : **les consommables**.

5.8 En cas **d'accident**, la garantie LEGEND est totalement exclue.

LEGEND
EBIKES

Calle Industria 60
Ripollet, BARCELONA 08291 (ESPAGNE)
Tlfno: +34 93 141 33 86
www.legendebikes.com
info@legendebikes.com

[FR]

Herzlichen Glückwunsch zum Kauf Ihres neuen **LEGEND MONZA SMART EBIKE**. In diesem Handbuch finden Sie die Informationen, die Sie benötigen, um Ihr Elektrofahrrad sicher zu genießen. Wenn Sie Fragen haben, zögern Sie nicht, uns über Ihre nächstgelegene Verkaufsstelle oder direkt zu kontaktieren www.legendebikes.com

Fahrräder der Marke **LEGEND EBIKES** und deren Komponenten erfüllen die folgenden gesetzlichen Bestimmungen gemäß der europäischen Norm **EN 15194:2017** für **EPAC** (Electrically Power Assisted Cycles):

1. Motorische Unterstützung wird nur beim Treten der Pedale geleistet.
2. Die Pedalunterstützung ist auf **25 km/h** begrenzt.
3. Die Nennleistung der Unterstützung beträgt **250W**, maximal.

Wenn diese Bedingungen erfüllt sind, **ist keine Art von Führerschein oder Zulassung erforderlich**, um dieses Fahrzeug auf öffentlichen Straßen zu fahren. LEGEND EBIKES erfüllen auch die geltenden Rechtsvorschriften sowohl national als auch auf europäischer Ebene:

- Directive 2002/24/EC
- Directive 2004/108/EC
- Directive 2006/42/EC



Dieses Handbuch enthält Warnungen und Empfehlungen.



ACHTUNG!

In diesem Format verfasste Informationen enthalten Anweisungen, die für die Sicherheit und den ordnungsgemäßen Gebrauch von entscheidender Bedeutung sind.

Ihre Nichtbeachtung kann zu Verletzungen und Schäden führen. Das Handbuch und sein Inhalt sind zum Zeitpunkt der Erstellung und des Drucks aktuell. LEGEND EBIKES behält sich das Recht vor, diese ohne vorherige Ankündigung zu ändern.

[DE]

INHALT_

SICHERHEIT Seite 58

VORBEREITENDE SICHERHEITSPRÜFUNGEN Seite 58-59

STRASSENVERKEHRSSICHERHEIT Seite 60-61

VERWENDUNG IM REGEN Seite 61

NACHTEINSATZ Seite 61

FAHRRADTEILE Seite 62

TECHNISCHE DATEN Seite 63

ERSTE SCHRITTE Seite 64

EINSTELLEN DER SATTELHÖHE Seite 64

MONTAGE DER PEDALE Seite 65

LADEN DES AKKUS Seite 66

EINSCHALTEN DES FAHRRADS Seite 67

WIE FALTEN IHRES ELEKTROFAHRRADS Seite 68-69

AUSBAU DES AKKUS Seite 70

ERSTE VERWENDUNG Seite 71

WARTUNG Seite 72

AKKUWARTUNG Seite 73

MOTORWARTUNG Seite 73

WARTUNG DER ELEKTRONIK Seite 74

PERIODISCHE WARTUNGEN & ZU PRÜFENDE GEGENSTÄNDE (TABELLE) Seite 74-75

GARANTIEBEDINGUNGEN Seite 76

1. REGULIERUNG UND TERRITORIUM Seite 76

2. GARANTIEZEIT Seite 76

3. GARANTIELEISTUNG Seite 76-77

4. GARANTIEANWENDUNG Seite 78

5. GARANTIE-AUSSCHLÜSSE Seite 78-79

SICHERHEIT_

Lesen Sie dieses Handbuch vollständig durch und machen Sie sich damit vertraut, bevor Sie Ihr **LEGEND MONZA SMART EBIKE** Elektrofahrrad zum ersten Mal verwenden.

Wie bei jeder Outdoor-Aktivität birgt Radfahren die **Gefahr von Verletzungen und Unfällen**. Da das Fahrzeug über eine elektrische Komponente verfügt, kann dieses Risiko zudem höher sein.

Wenn Sie sich dafür entscheiden, ein Elektrofahrrad zu fahren, übernehmen Sie die Verantwortung für dieses Risiko. Daher **müssen Sie die Regeln des sicheren und verantwortungsvollen Fahrens** sowie der ordnungsgemäßen Verwendung und Wartung kennen. Dies wird das Unfallrisiko eindeutig verringern.

Dieses Elektrofahrrad ist nur für die **Benutzung durch Erwachsene bestimmt**. Als Elternteil oder Erziehungsberechtigter **sind Sie für die Aktivitäten und die Sicherheit von Minderjährigen in Ihrer Obhut verantwortlich**. Dazu gehört auch sicherzustellen, dass der Minderjährige alle Funktionen des Fahrrads benutzen und kontrollieren kann und natürlich alle Teile dieses Handbuchs vollständig versteht.

VORBEREITENDE PRÜFUNGEN

Überprüfen Sie vor jedem Gebrauch den Zustand Ihres Fahrrades.

1. Schrauben und Muttern: Stellen Sie sicher, dass nichts lose ist.

2. Reifen und Räder: Vergewissern Sie sich, dass die Reifen auf den richtigen Druck aufgepumpt (der richtige Druck ist auf der Seitenwand des Reifens angegeben) und in gutem Zustand sind. Drehen Sie jedes Rad langsam und suchen Sie nach Schnitten im Reifen.

3. Die Bremsen: Vergewissern Sie sich, dass die Bremsen einwandfrei funktionieren, dass ihre Bewegungen nicht ungleichmäßig sind und dass die Bremsbeläge nicht abgenutzt oder falsch positioniert sind. Prüfen Sie, ob die Züge geschmiert sind, fest sitzen und nicht beschädigt sind. Die Bremshebel müssen fest mit dem Lenker verbunden sein.

- 4. Spanner und Scharniere:** Vergewissern Sie sich, dass die Sattelstütze sicher befestigt und eingestellt ist, sowie ggf. die Verriegelungen an den Klappscharnieren.
- 5. Ausrichtung von Sattel und Lenker:** Stellen Sie sicher, dass Sattel und Lenker parallel zur Mittellinie des Fahrradrahmens stehen.
- 6. Lenkergriffe:** Stellen Sie sicher, dass die Griffe in gutem Zustand sind.
- 7. Gepäckträger:** Stellen Sie sicher, dass er sicher am Fahrrad befestigt ist.
- 8. Ladegerät:** Verwenden Sie nur das Original-Ladegerät, um den Akku aufzuladen. Wenn der Akku längere Zeit nicht benutzt wird, lagern Sie ihn an einem kühlen, trockenen Ort und laden Sie ihn mindestens alle zwei Monate auf.
- 9. Akku:** Um Ihre eigene Sicherheit zu gewährleisten, legen Sie den Akku niemals in die Nähe einer Wärmequelle oder verbrennen Sie sie nicht. Platzieren Sie es während des Ladens nicht in der Nähe von explosiven oder entflammaren Materialien.
- 10. Elektrische Komponenten:** Zerlegen Sie den Akku, den Motor, die Steuereinheit oder andere Komponenten niemals selbst. Wenn eine Komponente ersetzt werden muss, wenden Sie sich an die Verkaufsstelle, bei der Sie Ihre LEGEND EBIKES Elektrofahrrad gekauft haben, und, wenn möglich, an unseren technischen Dienst. Manipulieren Sie niemals das Garantiesiegel der Komponenten, da es sonst ungültig wird.



Wenn Sie Ihr LEGEND Elektrofahrrad in einem Online-Shop gekauft haben, wird das Fahrrad möglicherweise halbmontiert versandt. Wir empfehlen Ihnen, zu einem Fahrradgeschäft oder einer professionellen Werkstatt zu gehen, wo sie das Schaltwerk und die Bremsen einstellen können (falls dies noch nicht geschehen ist) und die korrekte Montage der Teile mit minimalen Sicherheitsgarantien sicherstellen.

STRASSENVERKEHRSSICHERHEIT

1. **Tragen Sie immer** einen zugelassenen **Helm**.

2. **Versuchen Sie, Körperteile und andere Gegenstände von sich bewegenden Teilen wie Gliedern der Kette, Pedalen, Kurbeln und Rädern fernzuhalten.**

3. **Tragen Sie immer:**

- Richtig sitzende **Schuhe**, die das Pedal gut greifen. Verwenden Sie Ihr Fahrrad nie barfuß oder in Sandalen.
- Deutlich **sichtbare Kleidung**, die nicht locker sitzt, da sie sich im Fahrrad verfangen oder an Gegenständen am Straßenrand hängen bleiben kann.
- Es wird dringend empfohlen, eine **Schutzbrille** zu tragen, um Ihre Augen zu schützen. Getönt, wenn die Sonne scheint, klar, wenn nicht.

4. Fahren Sie immer mit einer **Geschwindigkeit**, die den Bedingungen angemessen ist. Wie Sie wissen, erhöht eine Erhöhung der Geschwindigkeit das Risiko.

5. Beachten Sie die Straßenverkehrsregeln. Denken Sie daran, dass Sie auch alle **Regeln und Vorschriften** für die Benutzung von Elektrofahrrädern kennen müssen. Die Gesetze und Verordnungen sind in der Regel von Stadt zu Stadt unterschiedlich. Es liegt in Ihrer Verantwortung, **lokale Einschränkungen** zu kennen und einzuhalten.

6. **Verwenden Sie niemals Kopfhörer.** Sie unterdrücken Verkehrsgläusche und Fahrzeugsirenen in Notfällen und lenken Sie davon ab, sich auf das zu konzentrieren, was um Sie herum geschieht. Darüber hinaus können sich die Kabel in beweglichen Teilen des Fahrrades verfangen, was zu einem Verlust der Kontrolle führen kann.

7. **Tragen Sie niemals etwas bei sich**, das Ihre Sicht behindert oder die Kontrolle über das Fahrrad beeinträchtigen könnte.

8. **Halten Sie sich niemals an einem anderen Fahrzeug fest**, um schneller zu fahren.

9. **Überschreiten Sie nicht die maximale Gewichtsgrenze des Fahrrads**, da sonst das Fahrrad oder seine Komponenten beschädigt oder sogar zerstört werden können.

10. **Ersetzen Sie beschädigte Komponenten** oder Elemente, bevor Sie das Fahrrad wieder benutzen. Die ordnungsgemäße Wartung und Reparatur von Fahrrädern sollte einer autorisierten Verkaufsstelle übertragen werden.

11. Versuchen Sie nicht zu springen oder "Wheelies" durchzuführen, da dies zu Unfällen führen und das Fahrrad beschädigen kann.

12. Fahren Sie niemals Fahrrad, während Sie unter dem Einfluss von **Alkohol oder Drogen** stehen.

13. Vermeiden Sie es, das Fahrrad **teilweise oder ganz unter Wasser** zu benutzen. Andernfalls können die elektronischen Komponenten und Elemente beschädigt werden.

14. Vermeiden Sie nach Möglichkeit Fahrten an **Regentagen, bei eingeschränkter Sicht, in der Dämmerung und bei Nacht** oder bei **extremer Müdigkeit**. Diese Bedingungen erhöhen das Unfallrisiko.

VERWENDUNG BEI REGEN

Bei Regen wird die **Wirksamkeit Ihrer Bremsen** (wie bei den Bremsen anderer Fahrzeuge) drastisch reduziert und **Ihre Reifen haben keine so gute Traktion wie im trockenen Zustand**. Um sicherzustellen, dass Sie bei Regen die Geschwindigkeit reduzieren und sicher anhalten können, fahren Sie langsamer und bremsen Sie früher und langsamer, als wenn es trocken wäre.



Regen beeinträchtigt die Traktion, das Bremsen und die Sicht des Radfahrers und anderer Verkehrsteilnehmer, die sich die Straße teilen. Das Unfallrisiko steigt unter diesen Bedingungen dramatisch. Seien Sie besonders vorsichtig, wenn Sie Ihr Fahrrad bei extremen Regen fahren. Beachten Sie, dass Schäden am elektrischen System, die durch den Kontakt mit Wasser entstehen, als Schäden durch unsachgemäßen Gebrauch betrachtet werden und daher nicht von der Garantie abgedeckt sind.

NACHTEINSATZ

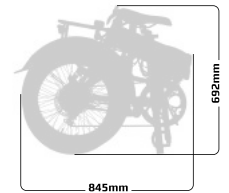
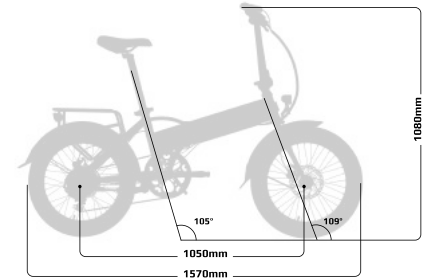
Nachts mit dem Fahrrad zu fahren ist viel gefährlicher als am Tag. Ein Radfahrer ist von anderen Fahrern und Fußgängern nicht gut zu sehen. Deshalb sollten Minderjährige niemals in der Morgendämmerung, in der Abenddämmerung oder in der Nacht fahren. Erwachsene sollten dies nur tun, wenn es notwendig ist.



Stellen Sie sicher, dass die Vorder- und Rücklichter ordnungsgemäß funktionieren. Reflektoren und Rückstrahler sind installiert, um das Licht von der Straße und von Autos zu reflektieren, sodass Sie als fahrender Radfahrer erkannt werden. Bitte beachten Sie, dass reflektierende Vorrichtungen kein Ersatz für Fahrradlichter sind.

FAHRRADTEILE_

1. iWoc®
2. Lenker
3. Bremshebel
4. Klappscharnier
5. Vorderlicht
6. Vorderes Schutzblech
7. Vorderrad
8. Pedal
9. Kettenrad
10. Ständer
11. Kette
12. Schaltwerk
13. Hinterrad
14. Motor
15. Hinteres Schutzblech
16. Rücklicht
17. Gepäckträger hinten
18. Sattel
19. Controller (intern)
20. Klappscharnier
21. Akku



[DE]



| | |
|-----------------|---|
| MOTOR | 250 W Getriebeübersetzung 1:4,5 40 N m |
| GESCHWINDIGKEIT | 25 Kph |
| AKKU | 36V 10.4Ah Sanyo-Panasonic / 36V 14Ah Panasonic |
| SENSOR | 32 Impulse BB integrierter Geschwindsensor |
| JOYSTICK | iWoc® Bluetooth SCI* by MAHLE Ebikemotion |
| STECKVERBINDER | HIGO IP67 Wasserdicht |
| REICHWEITE | 60 - 100 Km** |
| CONTROLLER | SCU* by Ebikemotion |
| RAHMEN | AL 6061 T6 Faltbar |
| LICHTER | Spanninga Kendo+ 30 LUX |
| BREMSEN | Hydraulische Scheibe |
| SCHALTWERK | Shimano TY300 6-fach |
| SATTEL | Velo 3061A |
| GEWICHT | 19,5 Kgs |
| FARBEN | Onyx Schwarz / Stahlblau / Silbergrau |

*SCU (Smart Control Unit) SCI (Smart Control Interface). **Reichweite je nach Akkustromstärke.

***BEACHTUNG: Aufgrund von Lieferschwierigkeiten, Kann es sein dass einige Komponenten nicht exakt der Beschreibung oder fotos entsprechen und durchandere gleichwertige oder höherwertige ersetzt werden.

ERSTE SCHRITTE_

INSTELLUNG DER SATTELHÖHE

Die Höhe der Sattelstütze lässt sich durch manuelles Feststellen leicht verändern und auf die gewünschte Höhe einstellen. Durch das Schnellspannsystem kann dieser Vorgang so oft wie nötig ohne Anstrengung durchgeführt werden. **Die Fixierung muss fest geschlossen sein.**

Lösen Sie den Schnellspanner



Stellen Sie den Sattel auf die gewünschte Höhe ein



Ziehen Sie den Schnellspanner fest



Es ist darauf zu achten, dass das Sattelrohr nicht über die Mindesteinsatzmarke hinausragt.

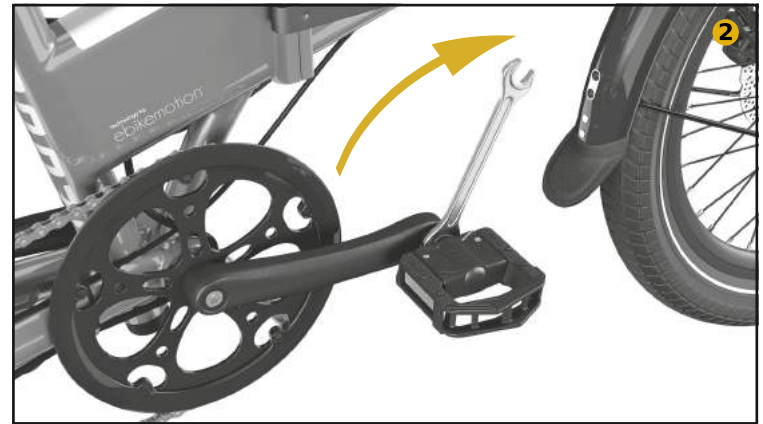
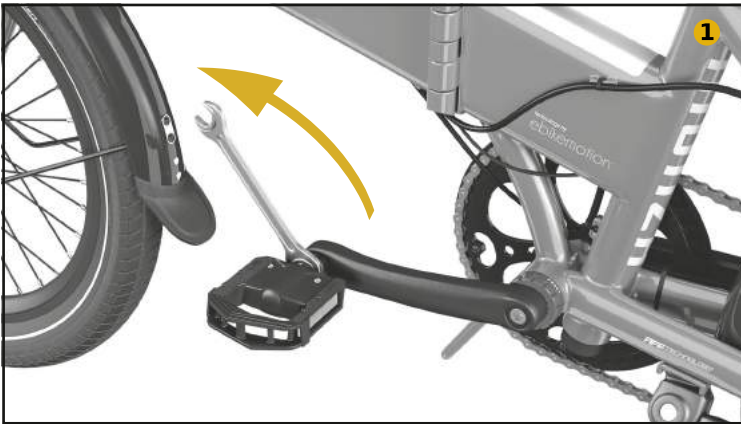
MONTAGE DER PEDALE

Die Pedale haben ein spezielles Einstellsystem. Wenn Sie sie zusammenbauen, **sollten Sie sicherstellen, dass Sie das richtige Pedal für die Kurbel ausgewählt haben:** Wir setzen das rechte Pedal auf die rechte Kurbel, gekennzeichnet mit dem **Buchstaben R** (Rechts); und das linke Pedal auf die linke Kurbel, angezeigt mit dem **Buchstaben L** (Links).

Prüfen Sie, ob die Löcher frei von Fremdkörpern sind und fügen Sie, wenn möglich, etwas Fett hinzu. **Schrauben Sie die Pedale immer in Tretrichtung auf die Kurbel.** Versuchen Sie nicht, die Schraube mit Gewalt einzudrehen, da dies die Gewinde beschädigen und sie unbrauchbar machen könnte.

Verwenden Sie einen 6-mm-Innensechskantschlüssel oder einen 15-mm-Gabelschlüssel, um die Pedale auf die Kurbeln zu schrauben.

Empfohlenes Anzugsmoment: 35 Nm.



ERSTE SCHRITTE_

LADEN DES AKKUS

Bevor Sie Ihr Fahrrad zum ersten Mal benutzen, sollten Sie den Akku für **4 bis 6 Stunden** mit dem mitgelieferten Ladegerät aufladen.

1. Schließen Sie das Ladegerät an die Steckdose an. Sie werden feststellen, dass die **Ladeanzeige grün leuchtet**, was bedeutet, dass das Gerät ordnungsgemäß funktioniert.

2. Schließen Sie das Ladegerät an den Akku an. Die **Ladeanzeige leuchtet rot**, während der Akku aufgeladen wird. Denken Sie daran, dass Sie Ihren Akku laden können, während er sich im Fahrrad befindet, und zwar über den Anschluss auf der linken Seite des Rahmens. Sie können ihn auch vom Fahrrad entfernen und dann aufladen, wenn Sie dies bevorzugen.

3. Wenn der Akku vollständig aufgeladen ist, zeigt die Ladeanzeige wieder ihre ursprüngliche grüne Farbe an.

4. Um das Ladegerät zu entfernen, empfiehlt es sich, es zuerst vom Akku und dann von der Steckdose zu trennen.

5. Für eine vollständiger Aufladung des Akkus liegt die Ladezeit zwischen 6 und 8 Stunden und ist immer abhängig von der Nutzung des Fahrrads.

6. Der Stromverbrauch der einzelnen Ladevorgänge liegt je nach Akkumodell zwischen **288 und 504 Wh**.

7. Decken Sie während des Ladevorgangs weder das Ladegerät noch den Akku ab.



Verwenden Sie nur das Original-Ladegerät, um den Akku aufzuladen, da sonst der Akku und die elektronischen Komponenten nicht von der Garantie abgedeckt werden.

Position der Ladebuchse



Öffnen Sie die Abdeckung



Schließen Sie das Ladegerät an



EINSCHALTEN DES FAHRRADS

Beginnen Sie mit der Aktivierung des **Einschaltknopfes** an der Unterseite des **Akkus**, um das System mit Strom zu versorgen. Denken Sie daran, diesen Schalter auszuschalten, wenn Sie Ihr Legend MONZA für längere Zeit nicht benutzen.



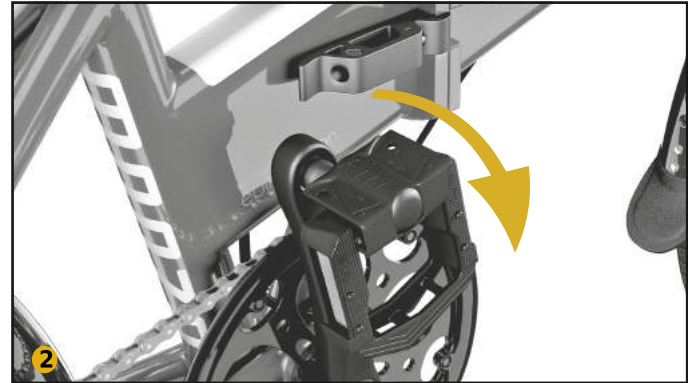
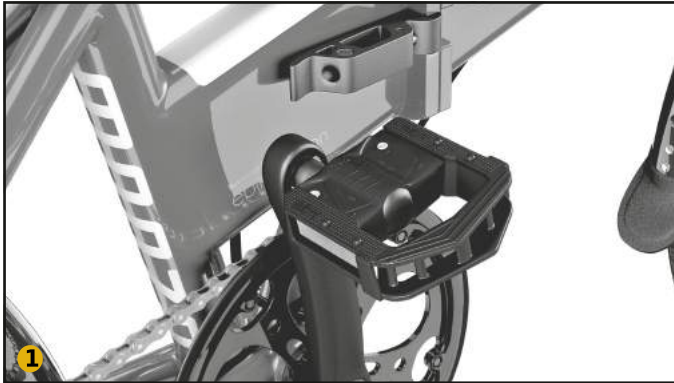
Um das elektrische System Ihres Fahrrads zu starten, schalten Sie es mit der linken mittleren Taste des **iWoc** ein. Drücken Sie dazu den **Schalter für 2 Sekunden**.



Laden Sie die MAHLE Ebikemotion-System-Handbücher herunter, um detaillierte Informationen zu ihrer Funktionsweise zu erhalten. Sie finden sie auf unserer Website www.legendebikes.com

FAHRRAD ZUSAMMENKLAPPEN_

Klappen Sie die Pedale nach innen



Lösen Sie den Schnellspanner, um den Sattel abzusenken



FAHRRAD ZUSAMMENKLAPPEN_

1 Lösen Sie die Verriegelung



2 Öffnen Sie den Scharnierverschlusshebel wie in der Abbildung gezeigt



3 Jetzt können Sie den Rahmen zusammenklappen



Vergewissern Sie sich, dass das Scharnier vollständig geschlossen ist und dass der Verriegelungshebel korrekt ausgerichtet ist, bevor Sie es mit dem Riegel sichern. Bei richtiger Einstellung sollte die Hebelschließkraft 4-8 kg (oder 8,8-17,6 lb) betragen. Unsachgemäße Einstellung kann den Rahmen beschädigen. Wenn Sie ein Spiel in einem der Dichtungsteile feststellen, wenden Sie sich bitte an qualifiziertes Personal.

1 Lösen Sie das Klappschloss, indem Sie vorher die doppelte Sicherheitslasche anheben



2 Öffnen Sie die Scharnierverriegelung wie im Bild gezeigt



[DE]

AUSBAU DES AKKUS_

1 Falten Sie den Rahmen, indem



2 Drehen Sie den Schlüssel um 180°



3 Sie können den Akku jetzt entnehmen



Die Benutzung eines Elektrofahrrads ist ähnlich wie die eines nicht-elektrischen Fahrrads, aber mit einigen bemerkenswerten Unterschieden. Ein Elektrofahrrad ist schwerer und **das Anhalten dauert länger**. Um es zu benutzen, bringen Sie sich auf dem Fahrrad in eine ausbalancierte Position. Wenn Sie Ihren Helm aufgesetzt haben und die erste Fahrt auf Ihrem neuen Fahrrad antreten, sollten Sie sich für eine möglichst kontrollierbare Umgebung entscheiden, fernab von Autos, anderen Radfahrern, Hindernissen und unvorhergesehenen Situationen. Nutzen Sie diese Umstände, um sich mit der Steuerung und Bedienung Ihres neuen eBike vertraut zu machen:



Stellen Sie sicher, dass der Akku im Rahmen verriegelt ist. Andernfalls besteht die Gefahr, dass er herunterfällt und Schäden nicht unter die Garantie fallen.

- 1. Machen Sie sich mit den Bremsen des Fahrrades vertraut.** Probieren Sie sie bei niedriger Geschwindigkeit aus, indem Sie Ihr Gewicht nach hinten verlagern und die Bremshebel vorsichtig anziehen. Übermäßiges Betätigen der Vorderradbremse kann Sie über den Lenker werfen.
- 2.** Ein zu starkes Bremsen kann das Rad blockieren, was zu einem Verlust der Kontrolle oder sogar einem Sturz führt.
- 3. Wenn Ihr Fahrrad gefedert ist, machen Sie sich mit der Reaktion** des Fahrrads beim Bremsen und bei Gewichtsveränderungen vertraut.
- 4. Überprüfen Sie das Handling und die Reaktion** des Fahrrades im Allgemeinen und überprüfen Sie auch den Komfort.
- 5. Kontrollieren Sie die Geschwindigkeit** des Fahrrads mithilfe der Bremsen.



Das Fahrrad kann aus der Halteposition schnell beschleunigen und Sie überraschen. Stellen Sie sicher, dass Sie immer genügend Platz haben.

WARTUNG_

Reinigen, einstellen, aufpumpen und einfetten. Dies ist das grundlegende Wartungsprotokoll eines herkömmlichen Fahrrads und voll anwendbar auf ein Elektrofahrrad. Es ist sehr wichtig, **das Fahrrad nach dem Gebrauch zu überprüfen, um die Lebensdauer der Komponenten zu verlängern.** Wir empfehlen Ihnen, die folgenden Punkte sorgfältig zu beachten:

1. Reinigen Sie alle Bereiche des Fahrrads mit Lappen oder Papier, das mit Wasser und Seife angefeuchtet ist, jedoch nicht mit abrasiven Produkten wie Alkohol oder Terpentin. Ein Luftkompressor kann eine große Hilfe sein.

2. Überprüfen Sie den Zustand der Reifen, um sicherzustellen, dass sie keine Schnitte, Risse oder eingebettete Gegenstände wie Steine, Glas oder Stöcke aufweisen.

3. Die Bremsbeläge müssen nahe an der Scheibe sein, dürfen diese aber nicht berühren; bei Betätigung des Bremshebels mit geringer Kraft muss die Bremse sofort wirken. Die Beläge müssen perfekt eingestellt sein, um ungleichmäßiges Bremsen und Geräusche zu vermeiden.

4. Züge sollten nicht zu starr sein, da sich das Material aufgrund von Temperaturschwankungen und Einsatzbedingungen ausdehnen kann und unter Druck bis zur Bruchgrenze geschwächt werden kann.

5. Stellen Sie sicher, dass die **Kette** ohne Reibung von Elementen außerhalb ihres Mechanismus läuft.

6. Aufgrund der Vibrationen, die während des Gebrauchs auftreten, müssen wir regelmäßig den Sitz **der Schrauben und Muttern** überprüfen; hauptsächlich an den Rädern, am Sattel und am Lenkervorbau.

7. Fetten Sie die Tretlager und Radnaben.

8. Befördern Sie keine Passagiere oder schwere Gegenstände (Tragkraft des Gepäckträgers: max. 27 kg), da diese die Batterie und den Motor beschädigen könnte.



Verwenden Sie kein Druckwasser.

AKKUWARTUNG

Alle LEGEND EBIKES werden mit **Lithium-Akkus** betrieben. Um den Akku aufzuladen, schließen Sie den Transformator an das Stromnetz und die Ausgangsbuchse an den einzigen Anschluss des Akkus an. Die Ladeanzeigen des Transformators leuchtet grün, wenn der Ladevorgang abgeschlossen ist. **Abgesehen vom Wiederaufladen benötigen dieser Akku keine weitere Wartung.** Um die Lebensdauer des Akkus zu verlängern, lagern Sie das Fahrrad nicht an Orten, an denen die Temperatur **unter 0°C sinkt oder 50°C übersteigt**. Um die Lebensdauer Ihres Akkus zu optimieren, versuchen Sie ihn unter Beachtung der folgenden Regeln aufzuladen:

- 1. Warten Sie nicht, bis der Akku vollständig entladen ist, um ihn wieder aufzuladen. Beachten Sie, dass die Leistung umso besser ist, je häufiger Sie den Akku aufladen.**
- 2. Bei 50 % Ladezustand lagern.**
- 3. An einem kühlen, trockenen Ort lagern und mindestens einmal alle zwei Monate aufladen.**
- 4. Versuchen Sie nicht, den vollständig entladenen oder vollständig geladenen Akku über längere Zeiträume zu lagern.**
- 5. Aufgrund der natürlichen Selbstentladungsrate der Lithium-Ionen-Zellen sollten Sie den Ladezustand etwa alle 2 Monate überprüfen und ggf. 30 Minuten laden.**

MOTORWARTUNG

Um die Leistung zu optimieren, befolgen Sie die folgenden Richtlinien:

- 1. Versuchen Sie bei Gegenwind oder an einer Steigung, dem Motor zu helfen, indem Sie mehr Kraft auf das Treten anwenden.** Dadurch wird eine Erwärmung des Motors und/oder des Akkus verhindert.
- 2. Bei Regen sollte das Fahrrad nicht an Plätzen benutzt werden, wo der Wasserstand den Motor oder den Regler erreichen.**

WARTUNG DER ELEKTRIK

Der **Controller** ist innerhalb des Batteriegehäuses, in der Nähe des Sattels. Es ist sehr wichtig, die folgenden Punkte zu berücksichtigen:

1. **Nicht in Wasser eintauchen.**
2. **Nicht darauf schlagen oder öffnen.**



HINWEIS: Falls die Controller-Box mit Wasser gefüllt ist, schalten Sie sofort die allgemeine Stromversorgung ab und treten Sie ohne elektrische Unterstützung in die Pedale, bis Sie sicher sind, dass sie trocken ist. Anschließend können Sie das Pedal Assistenz System (PAS) wieder einschalten.



Versuchen Sie nicht, die Controller-Box zu öffnen. Jeder Versuch, sie zu modifizieren oder anzupassen, wird nicht von der Garantie abgedeckt. Bitten Sie Ihren örtlichen LEGEND Händler oder technischen Service um Unterstützung.

PERIODISCHE WARTUNGEN & ZU PRÜFENDE GEGENSTÄNDE (TABELLE)

Es ist wichtig, dass Sie [legendebikes.com](https://www.legendebikes.com) in der Rubrik **HILFE/STÜTZUNG** konsultieren, um herauszufinden, welche periodischen Wartungsanforderungen für Ihr Fahrrad gelten.



Bitte beachten Sie, dass die Nichtbeachtung und/oder nicht durchgeführte regelmäßige Wartung zur Nichtanwendung der Garantie führen kann.

| Zu prüfende Elemente | Quantenzählerstand / Zeitintervall (was immer zuerst geschieht) | | | | |
|--|--|---------------------------------|-----------------------------------|-----------------------------------|-----------------------------------|
| | Vor jeder Fahrt | 1000 Km/600 mi oder 6 Monate | 2000 Km/1200 mi oder 12 Monate | 3000 Km/1800 mi oder 18 Monate | 4000 Km/2400 mi oder 24 Monate |
| Einstellung des Klapphebels <ul style="list-style-type: none"> Ziehen Sie den Falthebel auf 4-8 kg an. Der Hebel sollte den Rahmen fest halten | | ✓ | ✓ | ✓ | ✓ |
| Einstellen der Schnellverschlüsse <ul style="list-style-type: none"> Prüfen Sie, ob die Schnellverschlüsse für Laufrad, Sattel und Lenker fest genug angezogen sind | ✓ | ✓ | ✓ | ✓ | ✓ |
| Sattel und Lenker <ul style="list-style-type: none"> Prüfen Sie, ob Sattel und Lenker korrekt ausgerichtet sind | ✓ | ✓ | ✓ | ✓ | ✓ |
| Übertragungskette <ul style="list-style-type: none"> Zustand, Spannung und Ausrichtung der Kette prüfen Einstellen und Schmieren der Kette | ALLE 200Km/160mi und nach DEM FAHREN IN NASSEN UND/ODER SCHMUTZIGEN GEBIETEN oder nach dem Waschen des Fahrrads. Ersetzen Sie sie gegebenenfalls | | | | |
| Straffung der Pedale <ul style="list-style-type: none"> Prüfen Sie, ob die Pedale richtig angezogen sind (30-40 Nm) | | ✓ | ✓ | ✓ | ✓ |
| Tretlager und Kurbelwelle <ul style="list-style-type: none"> Kontrollieren Sie, dass Tretlager und Kurbelwelle fest sitzen und dass kein Spiel oder Geräusch beim Drehen der Pedale vorhanden ist | | ✓ | ✓ | ✓ | ✓ |
| Bremsen <ul style="list-style-type: none"> Prüfen Sie, ob die vorderen und hinteren Bremsen einwandfrei funktionieren Ersetzen Sie die Bremsbeläge, falls erforderlich | | ✓ | ✓ | ✓ | ✓ |
| Reifen <ul style="list-style-type: none"> Prüfen Sie, ob die Reifen auf den empfohlenen Druck aufgepumpt sind | ✓ | ✓ | ✓ | ✓ | ✓ |
| Schaltwerk <ul style="list-style-type: none"> Prüfen Sie, ob sich die Schaltwerk innerhalb des Bereichs leichtgängig bewegt | | ✓ | ✓ | ✓ | ✓ |
| Lichter <ul style="list-style-type: none"> Prüfen Sie, ob die Front- und Rückleuchten einwandfrei funktionieren | ✓ | ✓ | ✓ | ✓ | ✓ |
| Akku <ul style="list-style-type: none"> Überprüfen Sie, ob der Akku vollständig geladen ist und das System einwandfrei gemäß dem Handbuch funktioniert | ✓ | ✓ | ✓ | ✓ | ✓ |
| Bremsflüssigkeit <ul style="list-style-type: none"> Bremsflüssigkeit austauschen | | | | | ✓ |

1. REGULIERUNG UND TERRITORIUM

ALLE LEGEND EBIKES Produkte sind gemäß **der Richtlinie 1999/44/EG der Europäischen Union über den Verkauf und die Garantien von Verbrauchsgütern garantiert.**

Die Bedingungen dieser Garantie gelten nur für Produkte, die **innerhalb der Europäischen Union** erworben wurden.

2. GARANTIEZEIT

Auf alle LEGEND EBIKES Produkte wird eine Garantie von **2 Jahren** gewährt, mit Ausnahme der Verbrauchsmaterialien, und unter der Voraussetzung, dass die in der Bedienungsanleitung beschriebenen Nutzungsbedingungen erfüllt und die entsprechende Wartung durchgeführt wurde.

Die Laufzeit von 2 Jahren beginnt ab dem **Kaufdatum**, welches das Datum ist, das auf der **Handelsrechnung** erscheint.

Die von LEGEND EBIKES verkauften Power Storage Units (nachfolgend **Batterien**) haben **auch** eine **2-jährige Garantie**, obwohl sie als Verbrauchsmaterialien betrachtet werden. Nach den ersten 6 Monaten muss der Kunde jedoch nachweisen, dass der Fehler auf einen Herstellungsfehler zurückzuführen ist.

3. GARANTIELEISTUNG

LEGEND EBIKES gewährleistet für seine Elektrofahräder und andere verwandte Produkte unter der Marke LEGEND EBIKES eine Garantie auf jegliche **Herstellungs- oder Montagefehler**, die folgendes beinhaltet:

- Reparatur oder Austausch von defekten **Teilen** durch andere in gutem Zustand (nicht unbedingt neu, im Falle des Austauschs).
- Die **Arbeit**, die erforderlich ist, um Teile und Komponenten entweder selbst oder durch Dritte zu installieren oder zu reparieren.
- Die **Kosten für Lieferungen** (falls zutreffend) von Teilen an die Benutzer/Verkaufsstellen, um die Wirksamkeit der Garantie geltend zu machen.

Mängel, die sich aus der **Erstmontage/Einstellung** ergeben, müssen innerhalb von 30 Tagen nach Erhalt des Fahrrads geltend gemacht werden. Nach Ablauf dieser Frist wird davon ausgegangen, dass der Benutzer für die Einstellung verantwortlich ist.

Unter **Erstmontage/Einstellung** verstehen wir:

- Einstellung der Gänge.
- Einstellung der Bremsen und Beläge.
- Kabelführung.
- Speichenspannung.
- Spannung der Klapphebel (falls zutreffend).

Für den Fall, dass **Lieferungen** während der Abwicklung einer Garantie erfolgen und anschließend festgestellt wird, dass das Vorkommnis von der Deckung ausgeschlossen ist, trägt der Benutzer/die Verkaufsstelle die **Kosten** für diese Lieferungen, unbeschadet der Tatsache, dass LEGEND EBIKES die Möglichkeit bietet, ein Angebot für die Reparatur des Produkts außerhalb der Garantie abzugeben.

Im Falle von **Lieferungen** von Teilen oder kompletten Fahrrädern werden diese immer in das **ursprüngliche Land und die ursprüngliche Stadt des Kaufs** geliefert.

Der Verlust der Batterieleistung als Folge der Alterung derselben wird nicht als Herstellungsfehler angenommen, da es sich um ein Verhalten handelt, das den Eigenschaften von Lithium inhärent ist. Daher gilt die Garantie nur, wenn der Verlust der Autonomie unter **70 %** liegt oder wenn **500 volle Ladezyklen** nicht abgeschlossen wurden.

Für den Fall, dass der Benutzer/die Verkaufsstelle von LEGEND EBIKES die Durchführung eines **Batterieautonomie-Tests** verlangt und der durch diesen Test erstellte Bericht ein Ergebnis von 70 % oder mehr zeigt, muss der Benutzer/die Verkaufsstelle die durch die Durchführung des Tests entstehenden Kosten sowie gegebenenfalls die entstandenen Versandkosten tragen.

Die 2-Jahres-Garantie **bedeutet in keinem Fall**, dass LEGEND EBIKES verpflichtet ist, ein **Ersatzfahrzeug** für die Zeit zur Verfügung zu stellen, die für die Lösung eines Vorfalls, der unter die Garantie fällt, erforderlich ist.

Die Garantie erfordert nur die Reparatur oder den Austausch defekter Bauteile und **deckt in keinem Fall persönliche und materielle Schäden** ab, die direkt oder indirekt aus dem Ausfall dieser Bauteile während des Gebrauchs entstanden sind.

Die 2-Jahres-Garantie **deckt in keinem Fall** die normale Verschleiß-Rate von Elementen des Produkts ab: **Verschleiß-Materialien**. Diese Elemente, die der Verwitterung unterliegen, sind die folgenden (diese Liste dient lediglich der Veranschaulichung und ist in keinem Fall einschränkend):

| | | | | |
|-------------------|--------------------------|--------------|--------------|------------------------|
| Reifen | O-Ringe/Dichtungsringe | Leuchtmittel | Lagerschalen | Gummitteile |
| Ketten | Luftschläuche | Bremsbeläge | Schrauben | Kugellager |
| Sattelbezüge | Kabel/Züge und Zughüllen | Halteringe | Gewinde | Staubschutzabdeckungen |
| Griffe und Riemen | Scheibenbremsen Rotoren | Ritzel | Pedale | Speichen und Nippel |
| Kerne | Stoßdämpfer-Verbindungen | | | |

GARANTIEBEDINGUNGEN_

4. GARANTIEANWENDUNG

Der Antrag des **Garatiefalls** ist nicht übertragbar und kann nur vom **ursprünglichen Käufer** ausgeführt werden.

Ansprüche im Zusammenhang mit der Garantie müssen über den **Verkaufskanal bearbeitet** werden, der mit dem unter Garantie stehenden Produkt verbunden ist:

- Im Falle des Erwerbs eines Produkts in einer **offiziellen Verkaufsstelle** (ob physisch oder online) muss die Garantie über diese Verkaufsstelle abgewickelt werden und nicht über eine andere.
- Wenn Sie ein Produkt **direkt von LEGEND EBIKES** erwerben, muss die Garantie über das Portal legendebikes.com im Abschnitt HILFE/SUPPORT abgewickelt werden.

Um die Garantie wirksam zu machen, muss der Kunde immer die **Kaufrechnung** vorlegen.

In jedem Fall hängt die wirksame Anwendung der Garantie von der Bewertung des **Technischen Dienstes (SAT) von LEGEND EBIKES** ab, der den Ausschluss derselben in Betracht ziehen kann, solange Sie eine begründete Begründung über die Art des Ausfalls oder Bruchs vorlegen.

5. GARANTIE-AUSSCHLÜSSE

5.1 Die Anwendung der Garantie ist ausgeschlossen, wenn der Ausfall des fehlerhaften Teils oder der fehlerhaften Teile auf eine **unsachgemäße und/oder fahrlässige** Verwendung des Produkts zurückzuführen ist.

Unter unsachgemäßer und/oder fahrlässiger Verwendung ist zu verstehen:

- Jede Verwendung, **die nicht** der Art des Produkts entspricht und/oder in der Bedienungsanleitung empfohlen wird.
- Nicht Durchführung **der Wartungsarbeiten, die in der Bedienungsanleitung** angegeben sind (wie das Laden der Batterie mindestens alle zwei Monate oder die Durchführung der entsprechenden periodischen Wartung), oder Durchführung anderer als der genannten, die die Produktqualität beeinträchtigen können.
- Modifikationen außerhalb autorisierter **Werkstätten** und/oder mit **nicht originalen oder nicht genehmigten Teilen**.

5.2 Der Gewährleistungsanspruch ist ausgeschlossen bei Schäden, Störungen oder Leistungsstörungen, die durch **industrielle Luftschadstoffe oder äußere Einwirkungen** (z. B. saurer Regen), Vogelkot, Baumsäfte, Steine, Überschwemmungen, Orkane o. ä. verursacht werden.

5.3 Der Garantierantrag ist ausgeschlossen, wenn die Art des Antrags auf die **Beteiligung einer dritten Partei** oder auf ein **vorsätzliches Fehlverhalten** zurückzuführen ist.

5.4 Mängel, die sich aus der **Erstmontage/Einstellung** ergeben, müssen innerhalb von 30 Tagen nach Erhalt des Fahrrads geltend gemacht werden. Nach Ablauf dieser Frist wird davon ausgegangen, dass der Benutzer für den Zustand der Einstellung verantwortlich ist und daher die Anwendung der Garantie ausgeschlossen ist.

5.5 Die Garantieranwendung impliziert **in keinem Fall**, dass LEGEND EBIKES verpflichtet ist, ein **Ersatzfahrzeug** für die Zeit zur Verfügung zu stellen, die für die Lösung eines Vorfalls, der unter die Garantie fällt, erforderlich ist.

5.6 Die Garantieranwendung erfordert nur die Reparatur oder den Austausch defekter Komponenten und **deckt in keinem Fall** die **persönlichen und materiellen Schäden** ab, die direkt oder indirekt aus ihrem Versagen während des Gebrauchs entstehen können.

5.7 Der Garantierantrag ist in jedem Fall in Bezug auf die normale Verschleißrate von Elementen des Produkts ausgeschlossen: **Verschleißmaterialien**.

5.8 Im Falle eines **Unfalls** erlischt die LEGEND Garantie vollständig.

LEGEND
EBIKES

Calle Industria 60
Ripollet, BARCELONA 08291 (SPANIEN)
Tlfno: +34 93 141 33 86
www.legendebikes.com
info@legendebikes.com



Enhorabuena por la adquisición de su nueva bicicleta eléctrica **LEGEND MONZA SMART EBIKE**. En este manual encontrará la información que necesita para disfrutar de su bicicleta eléctrica de forma segura. Para cualquier consulta no dude en dirigirse a nosotros a través de su punto de venta más cercano o directamente en www.legendebikes.com

Las bicicletas de la marca **LEGEND EBIKES** y sus componentes cumplen las siguientes condiciones legales, de acuerdo a la norma europea **EN 15194:2017** para **EPAC** (Electrically Power Assisted Cycles):

1. La asistencia del motor se realiza únicamente cuando se pedalea.
2. La asistencia de pedaleo queda limitada a **25km/h**.
3. La potencia nominal proporcionada por la asistencia es de **250W**, como máximo.

Cumpliendo estas condiciones **no es necesario ningún tipo de licencia ni matriculación** para poder conducir este vehículo por la vía pública. Las bicicletas **LEGEND EBIKES** cumplen también con la legislación vigente tanto a nivel nacional como a nivel europeo:

- Directiva 2002/24/CE
- Directiva 2004/108/CE
- Directiva 2006/42/CE



En el manual encontrará mensajes de advertencia y recomendaciones



¡ATENCIÓN! Los mensajes escritos en este formato contienen instrucciones críticas para la seguridad y el buen uso.

No prestar atención a los mismos puede causar daños y perjuicios. El manual y sus contenidos están actualizados al momento de redacción e impresión. **LEGEND EBIKES** se reserva el derecho a modificarlo sin previo aviso.

ÍNDICE_

| | |
|---|--------------|
| SEGURIDAD | Pág. 84 |
| COMPROBACIONES PREVIAS | Pág. 84-85 |
| SEGURIDAD EN RUTA | Pág. 86-87 |
| USO CON LLUVIA | Pág. 87 |
| USO NOCTURNO | Pág. 87 |
| | |
| PARTES DE LA BICICLETA | Pág. 88 |
| | |
| FICHA TÉCNICA | Pág. 89 |
| | |
| CÓMO COMENZAR | Pág. 90 |
| AJUSTAR LA ALTURA DEL SILLÍN | Pág. 90 |
| MONTAJE DE LOS PEDALES | Pág. 91 |
| CARGAR LA BATERÍA | Pág. 92 |
| ENCENDER LA BICI | Pág. 93 |
| | |
| CÓMO PLEGAR SU BICICLETA ELÉCTRICA | Pág. 94-95 |
| | |
| EXTRACCIÓN DE LA BATERÍA | Pág. 96 |
| | |
| PRIMER USO | Pág. 97 |
| | |
| MANTENIMIENTO | Pág. 98 |
| MANTENIMIENTO DE LA BATERÍA | Pág. 99 |
| MANTENIMIENTO DEL MOTOR | Pág. 99 |
| MANTENIMIENTO DE LA ELÉCTRICA | Pág. 100 |
| MANTENIMIENTOS PERIÓDICOS Y ELEMENTOS A VERIFICAR (TABLA) | Pág. 101 |
| | |
| CONDICIONES DE GARANTÍA | Pág. 102 |
| 1. NORMATIVA Y TERRITORIO | Pág. 102 |
| 2. TÉRMINO DE LA GARANTÍA | Pág. 102 |
| 3. COBERTURA DE LA GARANTÍA | Pág. 102-103 |
| 4. APLICACIÓN DE LA GARANTÍA | Pág. 104 |
| 5. EXCLUSIONES DE LA GARANTÍA | Pág. 104-105 |

SEGURIDAD_

Lea este manual de forma completa y familiarícese con él antes de usar por primera vez su bicicleta eléctrica **LEGEND MONZA SMART EBIKE**.

Como cualquier actividad al aire libre, circular en bicicleta conlleva **riesgo de lesiones y accidentes**. Además, al contar el vehículo con un componente eléctrico, este riesgo puede ser mayor.

Cuando elige montar en bicicleta eléctrica asume la responsabilidad de ese riesgo. Por tanto, **necesita conocer las normas de conducción segura y responsable**, además de un correcto uso y mantenimiento. Evidentemente, esto reducirá el riesgo de accidentes.

Esta bicicleta eléctrica está únicamente **destinada para ser usada por adultos**. Como padre o tutor, usted **es responsable de las actividades y seguridad del menor a su cargo**. Esto incluye asegurarse de que el menor pueda usar y controlar todas las funciones de la bicicleta, y, por supuesto, entender por completo todas las partes de este manual.

COMPROBACIONES PREVIAS

Compruebe las condiciones de su bicicleta antes de cada uso.

1. Tuercas y tornillos: Asegúrese de que no hay nada suelto.

2. Neumáticos y llantas: Asegúrese de que los neumáticos están hinchados con la presión adecuada (la presión correcta viene indicada en la banda lateral del neumático) y en buen estado. Gire cada rueda lentamente en busca de cortes en la banda de rodadura.

3. Frenos: Asegúrese de que los frenos funcionan correctamente, que no hay movimientos de desajuste y que las zapatas no están desgastadas o incorrectamente posicionadas. Compruebe que los cables están lubricados, bien ajustados y que no están deteriorados. Las palancas de frenos deben estar firmemente fijadas al manillar.

- 4. Fijaciones:** Asegúrese de que la tija del sillín está firmemente sujeta y ajustada, así como los cierres de las bisagras de plegado, en su caso.
- 5. Alineación de asiento y manillar:** Asegúrese de que el sillín y la base del manillar están paralelos a la línea central del cuadro de la bicicleta.
- 6. Empuñaduras del manillar:** Asegúrese de que las empuñaduras están en buenas condiciones.
- 7. Portabultos:** Asegúrese de que está completamente fijado a la bicicleta.
- 8. Cargador:** Emplee sólo el cargador original para cargar la batería. Si la batería no se utiliza en un periodo largo de tiempo, almacénela en un lugar fresco y seco, y cárguela como mínimo cada 2 meses.
- 9. Batería:** Por su propia seguridad, nunca sitúe la batería cerca de una fuente de calor o la arroje al fuego. No la disponga cerca de materiales explosivos o inflamables durante la carga.
- 10. Componentes eléctricos:** Nunca desmonte la batería, el motor, la unidad de control u otro componente por su cuenta. Si algún componente necesita ser reemplazado, contacte con el punto de venta donde adquirió su bicicleta eléctrica LEGEND EBIKES y, si le es posible, con nuestro servicio técnico. Nunca manipule el sello de garantía de los componentes, o ésta quedará anulada.



Si usted ha adquirido su bicicleta eléctrica LEGEND en una tienda online, la bicicleta podría ser enviada semi-montada. Le recomendamos que se dirija a una tienda de bicicletas o taller profesional donde podrán ajustar el cambio y los frenos (si estos no lo estuvieran) además de un correcto montaje de las piezas con las garantías mínimas de seguridad.

SEGURIDAD EN RUTA

1. Lleve siempre casco homologado.

2. Procure mantener las partes del cuerpo y otros objetos fuera del alcance de los eslabones de la cadena, los pedales, manivelas y las ruedas en movimiento.

3. Llevar siempre:

- **Zapatos** que no se salgan del pie y que se agarren al pedal. Nunca use la bicicleta descalzo o con sandalias.
- **Ropa clara y visible** que no quede suelta, ya que podría enredarse en la bicicleta o engancharse en objetos del lateral de la carretera.
- Es muy aconsejable llevar **gafas** para proteger los ojos. Tintadas cuando el sol brilla, claras cuando no.

4. Circule siempre a una **velocidad** adecuada a las condiciones. Como ya sabe, incrementar la velocidad conlleva aumentar el riesgo.

5. Respete las normas de circulación. No olvide que también debe conocer todas las **normativas y ordenanzas** que regulan el uso de las bicicletas eléctricas. Las leyes y ordenanzas varían generalmente de un municipio a otro. Es su responsabilidad conocer y cumplir las restricciones locales.

6. **Nunca utilice auriculares.** Enmascaran los sonidos del tráfico y de las sirenas de emergencia, distrayéndole de concentrarse en lo que sucede alrededor. Además, los cables pueden enredarse en las partes móviles de la bicicleta, pudiendo causar pérdida del control.

7. **Nunca lleve nada que obstruya su visión** o pueda afectar al control de la bicicleta.

8. **Nunca se sujete a otro vehículo para circular.**

9. **No exceda el límite de peso máximo de la bicicleta** o sus componentes pueden dañarse o incluso romperse.

10. **Reemplace cualquier componente o elemento dañado** antes de utilizar la bicicleta de nuevo. El correcto mantenimiento de la bicicleta y las reparaciones deben ser asignados a un punto de venta autorizado.

11. **No intente hacer saltos ni elevarse sobre una rueda,** puede causar accidentes y dañar la bicicleta.

12. **Nunca** monte en bicicleta bajo la influencia de **alcohol o drogas**.

13. **Evite** utilizar la bicicleta **parcial o totalmente sumergida en agua** o de lo contrario los componentes y elementos electrónicos pueden resultar dañados.

14. Si es posible, **evite circular en días lluviosos**, cuando la **visibilidad es limitada, al atardecer y por la noche**, o con **extremo cansancio**. Estas condiciones aumentan el riesgo de accidente.

USO CON LLUVIA

Con lluvia la **eficacia de sus frenos** (como el de los frenos del resto de vehículos) se reduce de forma drástica y **sus neumáticos no se adhieren tan bien como en seco**. Para asegurarse de que puede reducir velocidad y detenerse con seguridad bajo la lluvia, conduzca más despacio y use los frenos antes y de forma más gradual que si lo hiciese en seco.



La lluvia afecta a la tracción, frenado y visibilidad del ciclista y otros conductores que comparten la vía. El riesgo de accidente se incrementa dramáticamente en estas condiciones. Tenga especial cuidado a la hora de montar en su bicicleta bajo condiciones de lluvia extrema. Tenga en cuenta que el daño que se produzca en el sistema eléctrico por contacto con el agua será considerado como un daño por mal uso y por lo tanto, no será cubierto por la garantía.

USO NOCTURNO

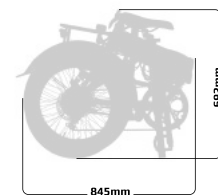
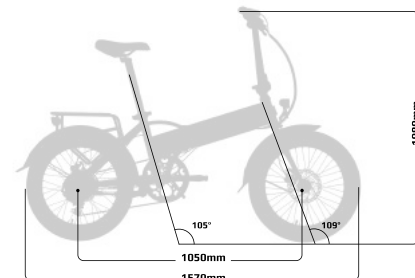
Montar en bicicleta **por la noche es mucho más peligroso** que hacerlo durante el día. Para otros conductores y peatones, advertir la presencia de un ciclista no es fácil. Por tanto, los menores no deben montar nunca al amanecer, anochecer o en noche cerrada. Los adultos deberán hacerlo únicamente si fuese imprescindible.



Asegúrese de que las luces frontal y trasera funcionan correctamente. Los reflectores y catadióptricos están instalados para reflejar la luz de la calle y de los coches de forma que sea reconocido como un ciclista en movimiento. Por favor tenga en cuenta que los dispositivos reflectantes no son sustitutos de las luces.

PARTES DE LA BICICLETA_

1. iWoc®
2. Manillar
3. Manetas de freno
4. Bisagra de plegado
5. Faro delantero
6. Guardabarros delantero
7. Rueda delantera
8. Pedal
9. Plato
10. Caballete
11. Cadena
12. Cambio
13. Rueda trasera
14. Motor
15. Guardabarros tras.
16. Luz trasera
17. Portabultos
18. Sillín
19. Controladora (Interna)
20. Bisagra de plegado
21. Batería





IP-65



100 Km

KLICKfix®



19,5kg



**FOLDING
FRAME**



20"



HIDRAULIC
DISC



Bluetooth™



25
Kph

| | |
|-------------|--|
| MOTOR | 250W GEARED 1:4.5 Ratio 40Nm |
| VELOCIDAD | 25 Kph |
| BATERÍA | 36V 10.4Ah Sanyo-Panasonic / 36V 14Ah Panasonic |
| SENSOR | Sensor de velocidad integrado en pedalier de 32 pulsos |
| JOYSTICK | iWoc® Bluetooth SCI* by MAHLE Ebikemotion |
| CONECTORES | HIGO IP67 Waterproof |
| AUTONOMÍA | 60 - 100 Km** |
| CONTROLADOR | SCU* by MAHLE Ebikemotion |
| CUADRO | AL 6061 T6 Plegable |
| LUCES | Spanninga Kendo+ 30 LUX |
| FRENOS | Disco Hidráulico |
| CAMBIO | Shimano TY300 6Velocidades |
| SILLÍN | Velo 3061A |
| PESO | 19,5 Kgs |
| COLORES | Onyx Black / Steel Blue / Silver Grey |

*SCU (Smart Control Unit) SCI (Smart Control Interface). **Autonomía según amperaje de batería.

***ATENCIÓN: Es posible que algún componente no corresponda exactamente con la descripción ó imágenes (debido a las dificultades de aprovisionamiento) y que sea sustituido por uno de gama equivalente o superior.

CÓMO COMENZAR_

AJUSTAR LA ALTURA DEL SILLÍN

La altura de la tija del sillín puede ajustarse fácilmente mediante fijación manual y colocarlo a la altura deseada. El cierre rápido permite realizar ésta operación tantas veces como sea necesario sin esfuerzo alguno. **Se debe cerrar firmemente la fijación.**

Afloje el cierre rápido



Ajuste la altura



Apriete el cierre rápido



Es importante asegurarse de que el tubo no se extienda más allá de la marca de inserción mínima.

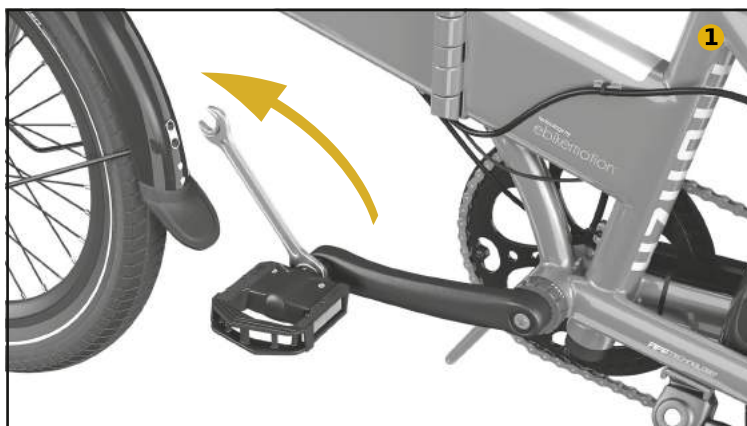
MONTAJE DE LOS PEDALES

Los pedales llevan un sistema de ajuste especial. A la hora de montarlos **debe asegurarse que ha seleccionado el pedal correspondiente a su biela**; en la biela derecha irá el pedal derecho, marcado con una letra R (**Right**/Derecha), y en la biela izquierda el pedal izquierdo marcado con la **letra L (Left**/Izquierda).

Compruebe que los orificios quedan libres de obstáculos y si es posible añada un poco de grasa. **Enrosque los pedales a la biela siempre en la dirección de pedaleo**. Procure no forzar extremadamente al enroskar ya que podrían dañarse los pasos de rosca y quedar inservibles.

Utilice una llave Allen de de 6mm o una llave de boca fija de 15mm para enroskar los pedales en las bielas.

Par de apriete recomendado: 35Nm



CÓMO COMENZAR_

CARGAR LA BATERÍA

Antes de usar la bicicleta por primera vez debe cargar la batería entre **4 y 6 horas** usando el cargador incluido.

1. **Conectar el cargador a la toma de corriente.** Observará que la **luz del cargador se enciende en color verde**, lo que significa que el aparato funciona correctamente.
2. **Conectar el cargador a la batería.** La **luz del cargador cambia a color rojo** mientras la batería se está cargando. Recuerde que puede cargar su batería mientras se encuentra en el interior de la bicicleta por medio del conector del lado izquierdo del cuadro o bien, cargarla fuera de la bicicleta.
3. Cuando la batería está **cargada completamente**, la luz del cargador volverá al color verde inicial.
4. Para desconectar el cargador, se recomienda **primero desconectarlo de la batería y después de la toma de corriente.**
5. Con la batería completamente descargada , el tiempo de duración de la carga se sitúa entre 6 y 8 horas y será siempre dependiente del uso que se le dé a la bicicleta.
6. **El consumo de electricidad** en cada carga de la batería es de **288 a 504Wh** según modelo de batería.
7. **No cubrir el cargador ni la batería durante el proceso de carga.**



Emplee sólo el cargador original para cargar la batería, de lo contrario la batería y electrónica no quedarán cubiertos por la garantía.

Puerto de carga



Abra la tapa



Conecte el cargador



ENCENDER LA BICI

Comience activando el **botón de encendido** en la parte inferior de la **batería** para proporcionar corriente al sistema. Recuerde desactivar éste botón cuando no vaya a utilizar su Legend MONZA durante periodos largos de tiempo.



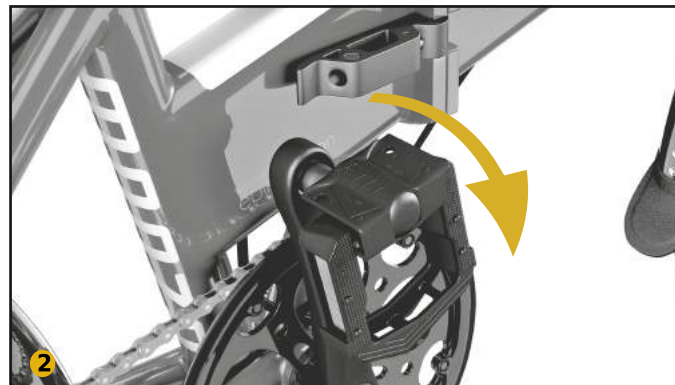
Para arrancar el sistema eléctrico de su bicicleta encienda con el botón izquierdo central del **iWoc**. Para ello, presione el **botón de encendido durante 2 segundos**.



Descargue y consulte los manuales del sistema MAHLE Ebikemotion para conocer su funcionamiento en detalle. Los puede encontrar en nuestra web www.legendebikes.com

PLEGADO DE LA BICICLETA_

Pliegue los pedales hacia adentro



Afloje el cierre rápido para bajar el sillín



PLEGADO DE LA BICICLETA_

1 Quite el seguro del plegado



2 Abra la palanca de cierre de la bisagra como se indica en la imagen



3 Ya puede plegar el cuadro



Asegúrese de que la bisagra esté completamente cerrada y que la palanca de cierre queda correctamente alineada antes de asegurarla con el pestillo. Correctamente ajustada, la fuerza de cierre de la palanca debería ser de 4-8 KG (ó 8,8-17,6 LB). Un mal ajuste podría dañar el cuadro. Si detecta alguna holgura en cualquiera de las partes del cierre, póngase en contacto con personal cualificado.

1 Quite el seguro del plegado levantando previamente la pestaña de doble seguridad



2 Abra el cierre de la bisagra como se indica en la imagen



EXTRACCIÓN DE LA BATERÍA_

1 Pliegue el cuadro siguiendo



2 Gire la llave 180°



3 Ya puede extraer la batería



El uso de una bicicleta eléctrica es similar al de una bicicleta convencional pero con algunas diferencias notables. Una bicicleta eléctrica es más pesada y **necesita más tiempo para detenerse**. Para usarla, colóquese en una posición balanceada en la bicicleta. Una vez se haya puesto su casco y salga a realizar su primer paseo en su nueva bicicleta, asegúrese de escoger un entorno controlado, lejos de coches, otros ciclistas, obstáculos e imprevistos. Aproveche estas circunstancias para familiarizarse con los controles y funcionamiento de su nueva eBike:



Asegúrese de que la batería esté bloqueada con llave en el cuadro. En caso contrario existe el riesgo de que se caiga y , los daños , no serían cubiertos por la garantía.

- 1. Familiarícese con los frenos de la bicicleta.** Pruébelos a baja velocidad, colocando su peso hacia la parte trasera y apretando las palancas de freno suavemente. Una aplicación excesiva del freno delantero puede lanzarle por encima del manillar.
- 2. Frenar demasiado fuerte puede bloquear la rueda, provocando una pérdida de control o incluso una caída.**
- 3. Si su bicicleta dispone de suspensión, familiarícese** con la respuesta de la misma al aplicar el freno y cambios de peso.
- 4. Compruebe el manejo y respuesta** de la bicicleta en general, y compruebe también la comodidad.
- 5. Controle la velocidad** de la bicicleta **usando los frenos.**



La bicicleta puede acelerar rápidamente desde la posición de parada y cogerle por sorpresa. Asegúrese de tener siempre el espacio necesario.

MANTENIMIENTO_

Limpiar, ajustar, inflar y engrasar. Este es el protocolo básico de mantenimiento de una bicicleta convencional, y totalmente aplicable para el caso de una eléctrica. Es muy importante **revisar la bicicleta después de su uso para prolongar la vida de los componentes.** Le recomendamos que siga con cuidado los siguientes puntos:

- 1. Limpiar** todas las zonas de la bicicleta con trapos, papel humedecido con agua y jabón pero no con productos abrasivos como alcohol o aguarrás. Un compresor de aire nos puede ser de gran ayuda.
- 2. Comprobar** el estado de las **cubiertas o neumáticos**, que no tengan cortes, grietas u objetos incrustados como por ejemplo piedras, cristales o palos.
- 3. Los frenos deben tener las pastillas** cerca del disco pero sin tocarlo, al accionar la maneta de freno con poca fuerza, el freno tiene que actuar al instante. Las pastillas deben de estar ajustadas perfectamente para evita ruidos y frenadas irregulares.
- 4. El cableado** no debe estar demasiado rígido ya que con el cambio de temperaturas y uso, el material dilata y si se aplica una fuerza excesiva puede pelarse hasta romper.
- 5. Asegúrese** de que la **cadena** circula sin rozamientos ajenos a su mecanismo.
- 6. Por las vibraciones** recibidas durante su uso, debemos comprobar periódicamente el ajuste de **tuercas y tornillos** principalmente de las ruedas, el sillín y la tija del manillar.
- 7. Engrasar** los rodamientos del pedalier y bujes de las ruedas.
- 8. No lleve pasajeros y objetos pesados** (capacidad de carga del portabultos: máximo 27 kg), pueden dañar la batería y el motor.



No utilice agua a presión.

MANTENIMIENTO BATERÍA

Todas las bicicletas eléctricas LEGEND EBIKES funcionan con **baterías de Litio**. Para recargar la batería conecte el transformador a la corriente y la clavija de salida a la batería en su única posición. Los indicadores de carga avisarán de que la carga está completa cuando el transformador tenga luz verde. Aparte de la recarga, estas baterías no necesitan ningún otro tipo de mantenimiento. Para prolongar la vida de las baterías, no guarde la bicicleta en áreas donde la temperatura pueda bajar **por debajo de 0°C ó sobrepase los 50°C**. Para optimizar la vida útil de su batería procure recargarla cumpliendo estas dos normas:

- 1. No espere a que la batería se descargue completamente para volverla a cargar. Tenga en cuenta que cuanto más frecuentemente recargue su batería mejor rendimiento obtendrá de ella.**
- 2. Almacenar al 50% de carga.**
- 3. Almacénela en un lugar fresco y seco y cárguela como mínimo cada dos meses.**
- 4. Procure no almacenar durante largos periodos de tiempo la batería completamente descargada o completamente cargada.**
- 5. Debido a la tasa de auto descarga natural en las celdas de Ion-Litio, debe revisar el nivel de carga cada 2 meses aproximadamente y, si fuera necesario, aplique una carga de 30 minutos.**

MANTENIMIENTO DEL MOTOR

Para optimizar su rendimiento siga las siguientes indicaciones:

- 1. Evite pedalear en vacío e intente ayudar al motor con la fuerza de sus piernas.** Así impedirá un posible calentamiento del motor y/o batería.
- 2. En condiciones lluviosas, no debe usarse la bicicleta en terrenos donde el nivel del agua cubra el motor o la controladora.**

MANTENIMIENTO ELÉCTRICO

El **controlador** está instalado dentro de la carcasa de la batería, cerca del sillín. Es muy importante tomar en consideración los siguientes puntos:

1. **No sumergir en agua.**
2. **No debe golpearlo ni abrirlo.**



NOTA: En caso de que se introduzca agua la caja del controlador, apague la potencia general inmediatamente y pedalee sin asistencia eléctrica, hasta asegurarse de que esté bien seco, entonces puede volver a encender el sistema de pedaleo asistido.



No intente abrir la caja del controlador. Cualquier intento de modificarlo o ajustarlo no será cubierto por la garantía. Pida asistencia en su punto de venta o al servicio técnico de LEGEND.

MANTENIMIENTOS PERIÓDICOS Y ELEMENTOS A VERIFICAR (TABLA)

Es importante que consulte el portal [legendebikes.com](https://www.legendebikes.com), en la sección de **AYUDA/SOPORTE**, para conocer cuáles son las exigencias de mantenimiento periódico de su bicicleta.



Tenga en cuenta que la inobservancia y/o incumplimiento de los mantenimientos periódicos puede suponer la no aplicación de la garantía.

| Elementos a comprobar | Lectura del cuentakilómetros / intervalo de tiempo (lo que antes ocurra) | | | | |
|---|--|-----------------------------|-------------------------------|-------------------------------|-------------------------------|
| | Antes de cada viaje | 1000 Km/600 mi o 6 meses | 2000 Km/1200 mi o 12 meses | 3000 Km/1800 mi o 18 meses | 4000 Km/2400 mi o 24 meses |
| Ajuste de la Leva de Plegado • Apriete la leva de plegado a 4-8 Kg. La leva debe sujetar firmemente el cuadro | | ✓ | ✓ | ✓ | ✓ |
| Ajuste de los Cierres Rápidos • Compruebe que los cierres rápidos de las ruedas, el sillín y el manillar están lo suficientemente apretados | ✓ | ✓ | ✓ | ✓ | ✓ |
| Sillín y Manillar • Compruebe que sillín y manillar están alineados correctamente | ✓ | ✓ | ✓ | ✓ | ✓ |
| Cadena de Transmisión • Compruebe el estado de la cadena, la tensión y la alineación • Ajuste y lubrique la cadena | CADA 200Km/160mi y después de CONDUCIR EN ZONAS HÚMEDAS Y/O SUCIAS o de lavar la bicicleta. Sustitúyala si fuera necesario | | | | |
| Apriete de los Pedales • Compruebe que los pedales están bien apretados (30-40 Nm) | | ✓ | ✓ | ✓ | ✓ |
| Eje Pedalier y Bielas • Compruebe que el eje pedalier y bielas están bien apretados y no hay juego ni se escuchan ruidos al girar los pedales | | ✓ | ✓ | ✓ | ✓ |
| Frenos • Compruebe que los frenos delanteros y traseros funcionan perfectamente • Sustituya las pastillas si fuera necesario | | ✓ | ✓ | ✓ | ✓ |
| Neumáticos • Compruebe que los neumáticos están hinchados a la presión recomendada | ✓ | ✓ | ✓ | ✓ | ✓ |
| Cambio de Velocidades • Compruebe que el cambio de velocidades se desplaza suavemente dentro del rango | | ✓ | ✓ | ✓ | ✓ |
| Luces • Compruebe que la luz trasera y delantera funcionan correctamente | ✓ | ✓ | ✓ | ✓ | ✓ |
| Batería • Compruebe que la batería se carga completamente y el sistema funciona perfectamente conforme al manual | ✓ | ✓ | ✓ | ✓ | ✓ |
| Líquido de Frenos • Reemplace el líquido de frenos | | | | | ✓ |

1. NORMATIVA Y TERRITORIO

Todos los productos de LEGEND EBIKES están garantizados de acuerdo a la **Directiva de la Unión Europea, 1999/44/CE, sobre venta y garantías de los bienes de consumo.**

Las condiciones de la presente garantía solo se aplicarán a los productos que hayan sido adquiridos **dentro de la Unión Europea.**

2. TÉRMINO DE LA GARANTÍA

Todos los productos LEGEND EBIKES están garantizados durante **2 años**, a excepción de los consumibles, y siempre que se den las condiciones de uso descritas en el manual del usuario y se realicen los mantenimientos correspondientes.

El plazo de 2 años comenzará a contar desde la **fecha de compra**, que será la fecha que figure en la **factura** comercial.

Las Unidades de Almacenamiento de Potencia (en adelante, **Baterías**) que comercializa LEGEND EBIKES, **también** cuentan con **2 años de garantía**, a pesar de ser consideradas como consumibles. No obstante, pasados los 6 primeros meses será el cliente quien deberá probar que la avería corresponde a un defecto de fabricación.

3. COBERTURA DE LA GARANTÍA

LEGEND EBIKES garantiza sus bicicletas eléctricas, y otros productos relacionados bajo la marca comercial LEGEND EBIKES, contra cualquier **defecto de fabricación o montaje**, cubriendo:

- La reparación o sustitución de **piezas** defectuosas por otras en buen estado (no siendo necesariamente nuevas, en el caso de sustitución).
- La **mano de obra** necesaria para instalación o reparación de piezas y componentes, ya sea por si mismo o a través de un tercero.
- El **coste** de los **envíos** (si proceden) de piezas a los usuarios/puntos de venta con el fin de hacer valer la efectividad de la garantía.

Los defectos derivados del **montaje/ajuste inicial** deberán ser reclamados dentro de los 30 días posteriores a la recepción de la bicicleta. Una vez transcurrido dicho plazo, se entenderá que el usuario es responsable del estado del ajuste.

CONDICIONES DE GARANTÍA_

Por **montaje/ajuste inicial** entendemos:

- Ajuste de los cambios.
- Ajuste de los frenos y pastillas.
- Enrutamiento del cableado.
- Tensión de los radios.
- Tensión de las levas de plegado (en su caso).

En caso de que se produzcan **envíos** durante la tramitación de una garantía y, posteriormente, se verifique que la incidencia queda excluida de la cobertura, será el usuario/punto de venta el que deberá responder por los **costes** derivados de estos envíos, sin perjuicio de que LEGEND EBIKES ofrezca la posibilidad de presupuestar la reparación del producto fuera de garantía.

En caso de que se produzcan **envíos** de piezas o bicicletas completas, estos siempre se harán al **país y ciudad original** de la compra.

La **pérdida de autonomía de la batería**, como consecuencia del envejecimiento de la misma, no supone un defecto de fabricación, ya que es un comportamiento inherente a las propiedades del litio. Por tanto, la garantía solamente aplicará en caso de que la pérdida de autonomía se sitúe por debajo del **70%**, ó si no se han llegado a realizar **500 ciclos de carga** completos.

En el supuesto de que el usuario/punto de venta requiera que LEGEND EBIKES realice una **prueba de autonomía** de una batería, y el informe generado por dicha prueba arroje un resultado igual o superior al 70%, el primero deberá soportar los costes generados por la realización de dicha prueba, así como los gastos de envío derivados, en su caso.

La garantía de 2 años **no implica**, en ningún caso, que LEGEND EBIKES esté obligado a facilitar un **vehículo de sustitución** durante el tiempo necesario para la resolución de una incidencia que esté cubierta por la garantía.

La garantía obliga únicamente a la reparación o reposición de los componentes defectuosos y **no cubre** en ningún caso los **daños personales y materiales** que pudieran derivarse directa o indirectamente del fallo de los mismos durante la utilización.

La garantía de 2 años **no cubre** en ningún caso el desgaste habitual de los elementos perecederos del producto: **consumibles**. Dichos elementos, sujetos a desgaste, son los siguientes (resultando dicha lista meramente enunciativa y no limitativa en ningún caso):

| | | | | |
|----------------------|------------------------|------------------|-----------|---------------------|
| Cubiertas | Juntas tóricas | Lámparas | Cazoletas | Partes de goma |
| Cadenas | Cámaras de aire | Zapatas de freno | Tornillos | Rodamientos |
| Coberturas de sillín | Cables y fundas | Retenes | Roscas | Guardapolvos |
| Puños y cintas | Rotores freno de disco | Piñones | Pedales | Radios y cabecillas |
| Núcleos | Uniones amortiguador | | | |

CONDICIONES DE GARANTÍA_

4. APLICACIÓN DE LA GARANTÍA

La **solicitud** de aplicación de la garantía es intransferible y solo se podrá llevar a cabo por el **comprador original**.

Las reclamaciones relativas a garantía deberán ser **tramitadas** desde el **canal de venta asociado** al producto objeto de garantía:

- En caso de adquirir un producto en un **Punto de Venta Oficial** (ya sea físico u online), la garantía deberá tramitarse a través de ese Punto de Venta, y no otro.
- En caso de adquirir un producto **directamente a LEGEND EBIKES**, la garantía deberá tramitarse a través del portal legendebikes.com, en la sección de **AYUDA/SOPORTE**.

Para hacer efectiva la garantía el cliente deberá aportar siempre la **factura de compra**.

En todo caso, la aplicación efectiva de la garantía estará sujeta a la evaluación del **Servicio Técnico (SAT) de LEGEND EBIKES**, quien podrá considerar la exclusión de la misma siempre y cuando aporte una justificación razonada sobre la naturaleza de la avería o rotura.

5. EXCLUSIONES DE LA GARANTÍA

5.1 La aplicación de la garantía está excluida en caso de que la avería de la pieza o piezas defectuosa/s se derive de un **uso inadecuado y/o negligente** del producto.

Se entenderá por uso inadecuado y/o negligente:

- Cualquier **uso distinto** al propio de la naturaleza del producto y/o al recomendado en el manual de instrucciones.
- No realizar las **operaciones de mantenimiento** indicadas en el **manual de instrucciones** (como por ejemplo, el no realizar una carga en la batería como mínimo cada dos meses o no realizar los mantenimientos periódicos correspondientes), o realizar otras distintas a las mencionadas y que pueden comprometer la calidad del producto.
- Realizar modificaciones fuera de los **talleres autorizados** y/o con **piezas no originales** o que no estén homologadas.

5.2 La aplicación de la garantía está excluida en caso de daños, fallos de funcionamiento o problemas de rendimiento causados por **contaminantes industriales en el aire o agentes externos** (por ejemplo, lluvia ácida), excrementos de aves, savia de los árboles, piedras, inundaciones, huracanes o similares.

CONDICIONES DE GARANTÍA_

5.3 La aplicación de la garantía está excluida cuando la naturaleza de la solicitud sea motivo de la **participación de un tercero** o provenga de un **error intencionado**.

5.4 Los defectos derivados del **montaje/ajuste inicial** deberán ser reclamados dentro de los 30 días posteriores a la recepción de la bicicleta. Una vez transcurrido dicho plazo, se entenderá que el usuario es responsable del estado del ajuste y por tanto la aplicación de la garantía queda excluida.

5.5 La aplicación de la garantía **no implica**, en ningún caso, que LEGEND EBIKES esté obligado a facilitar un **vehículo de sustitución** durante el tiempo necesario para la resolución de una incidencia que esté cubierta por la garantía.

5.6 La aplicación de la garantía obliga únicamente a la reparación o reposición de los componentes defectuosos y **no cubre** en ningún caso los **daños personales y materiales** que pudieran derivarse directa o indirectamente del fallo de los mismos durante la utilización.

5.7 La aplicación de la garantía queda excluida, en todo caso, en relación el desgaste habitual de los elementos perecederos del producto: **consumibles**.

5.8 En caso de **accidente**, la garantía de LEGEND queda anulada completamente.

LEGEND
EBIKES

Calle Industria 60
Ripollet, BARCELONA 08291 (ESPAÑA)
Tlfno: +34 93 141 33 86
www.legendebikes.com
info@legendebikes.com

