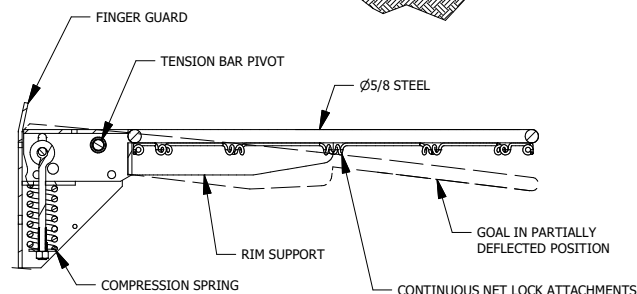
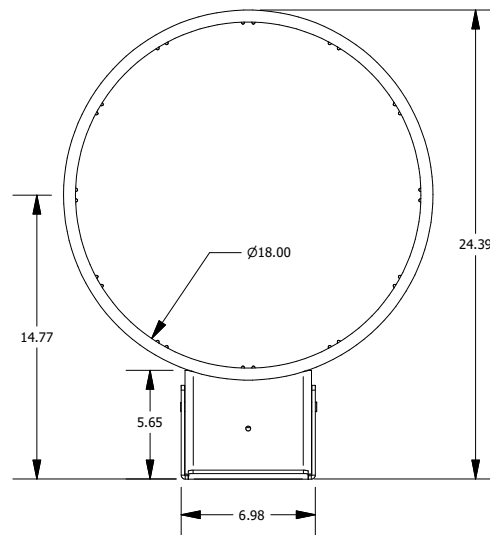


TABLE						
MODEL #	BACKBOARD SIZE	BACKBOARD TYPE	RIM	POLE PADDING	BACKBOARD PADDING	WARRANTIES
PR98UHT	42" X 72"	POLYCARBONATE	OUTDOOR FLEX	OPTIONAL	OPTIONAL	10-YEAR LIMITED ON POLE, LIFETIME ON BACKBOARD
PR98GHT	42" X 72"	GLASS	OUTDOOR FLEX	OPTIONAL	OPTIONAL	10-YEAR LIMITED ON POLE
PR98SHT	42" X 60"	STEEL	OUTDOOR FLEX	OPTIONAL	OPTIONAL	10-YEAR LIMITED ON POLE
PR98SXLHT	42" X 72"	STELL	OUTDOOR FLEX	OPTIONAL	OPTIONAL	10-YEAR LIMITED ON POLE
PR98UHTJR	36" X 60"	POLYCARBONATE	OUTDOOR FLEX	OPTIONAL	OPTIONAL	10-YEAR LIMITED ON POLE, LIFETIME ON BACKBOARD
PR98GHTJR	36" X 60"	GLASS	OUTDOOR FLEX	OPTIONAL	OPTIONAL	10-YEAR LIMITED ON POLE



Ultimate HangTime™ Adjustable Systems shall consist of a 6" Square, 3/16" wall steel support pole with movable extension arms to allow rim height adjustments from 7 1/2' to 10'. Rim height adjustments shall be accomplished by means of a hand operated bevel gear crank located at the rear of the pole. Pole systems shall include hinged swing up base and anchor system to allow for easy assembly. Steel ground anchors shall be installed in a concrete footing that is no less than 20" in diameter and 48" deep. Backboard specifications shall be chosen from the options shown on the chart above consisting of various sizes and materials. The distance from the face of the backboard to the front of the pole shall be a minimum of 56" when the rim is adjusted to official 10' height. Rim shall be outdoor breakaway type and be mounted through the backboard directly into the rear structure to eliminate stress on the backboard during play. Pole shall have an easy to read rim height indicator. All steel components shall be a powder coated black. Pole system shall carry a 10-year limited warranty and rim 1-year limited warranty. Installation shall be completed in accordance with manufacturers instructions. Available options shall include pole padding and crank lock. Approximate weight 450#-550#.



PRODUCT SPECIFICATION

ALL 6" HANGTIME™ ADJUSTABLE SYSTEM

REVISED 7/13/22 L.M.